

February 21, 2011

Mr. Steven Scharf
New York State Department of Environmental Conservation
Division of Environmental Remediation
Remedial Action, Bureau A
625 Broadway
Albany, NY 12233-7015

**SUBJECT: SOIL VAPOR EXTRACTION CONTAINMENT SYSTEM
SITE 1, FORMER DRUM MARSHALLING YARD
NWIRP BETHPAGE, NY
QUARTERLY OPERATIONS REPORT
THIRD QUARTER 2010**

**Environmental
Construction
Operation &
Remediation**

ECOR Federal Services, LLC
21 S High St, 2nd Floor
West Chester, PA 19382
(484) 887-7510
(610) 431-2852 (fax)



Dear Mr. Scharf:

In accordance with operational requirements, ECOR Federal Services, LLC. (ECOR) on behalf of the United States Department of the Navy (Navy), is submitting this quarterly operations report for the Site 1 Soil Vapor Extraction Containment System (SVECS) for the third quarter 2010.

During the evaluation of the VOC results from individual SVE wells versus the VOCs in the combined stream at the treatment system, a discrepancy was observed. Specifically, the individual well results were much lower than the combined stream results. Sample collection of systems operating under a vacuum can be complicated and there is always a potential for ambient air infiltration. During the next round of sampling, the procedure will be evaluated and modified to ensure that representative samples are collected.

Please do not hesitate contact me with any questions regarding this report at office phone # 610-840-9200 or via email at torres@ecor-solutions.com

Sincerely,
ECOR Federal Service, LLC.

A handwritten signature in blue ink, appearing to read "William Torres".

William Torres
Project Manager

cc: Lora Fly, NAVFAC
Richard Smith, NAVAIR
Henry Wilkie, NYSDEC (Albany)
William Spitz, NYSDEC (Region 1)
Walter Parrish, NYSDEC (Stony Brook)
Carol Stein, USEPA (Region II)
Gerard Ennis, Nassau County Department of Public Works
Richard Pfaender, Town of Oyster Bay
Al Taormina, ECOR Solutions, Inc.
Dave Brayack, Tetra Tech
David E. Stern, ARCADIS
Richard W. Humann, H2M Group
Administrative Record
ECOR Site 1 Project Site File

FINAL

**QUARTERLY OPERATIONS REPORT
THIRD QUARTER 2010**

**SOIL VAPOR EXTRACTION CONTAINMENT SYSTEM
SITE 1, FORMER DRUM MARSHALLING YARD
NAVAL WEAPONS INDUSTRIAL RESERVE PLANT
BETHPAGE, NEW YORK**

**Contract No. N62472-05-D-0031
Contract Task Order #005**

Prepared for:



Naval Facilities Engineering Command Mid-Atlantic
9742 Maryland Avenue
Norfolk, VA 23511

Prepared By:



ECOR Federal Services, LLC.
21 S. High St, 2nd Floor
West Chester, PA 19382

February 2011

TABLE OF CONTENTS

1.0	Introduction.....	1
1.1	Site Location.....	1
1.2	Background.....	1
1.3	Project Overview	3
1.4	SVE System Overview	3
2.0	SVE System Operations and Maintenance	3
2.1	Routine Maintenance Activities.....	3
2.2	Non Routine Maintenance Activities.....	4
3.0	GWTP Monitoring.....	4
3.1	Monthly Air Quality Monitoring.....	4
3.2	Quarterly Air Quality Monitoring	4

TABLES

TABLE 1	Monthly Vapor Sampling Results – July 2010
TABLE 2	Monthly Vapor Sampling Results – August 2010
TABLE 3	Monthly Vapor Sampling Results – September 2010
TABLE 4	Quarterly Vapor Sampling Results – Third Quarter 2010

FIGURES

FIGURE 1	Site Location Map
FIGURE 2	Site Map
FIGURE 3	System Layout
FIGURE 4	Process Flow Diagram
FIGURE 5	Soil Vapor Extraction Well Location Map

APPENDICES

APPENDIX A	- Laboratory Analytical Data Package
------------	--------------------------------------

1.0 INTRODUCTION

ECOR Federal Services, LLC (ECOR) has prepared this Quarterly Operations Report for the Soil Vapor Extraction Containment System (SVECS) at Site 1, Former Drum Marshalling Yard, at the Naval Weapons Industrial Reserve Plant (NWIRP) in Bethpage, New York, for the United States Department of the Navy (Navy), Naval Facilities Engineering Command (NAVFAC), Mid-Atlantic, under Contract No. N62472-05-D-0031 Contract Task Order No. 005. The SVECS is an interim action to address migration of chlorinated volatile organic compounds (VOCs) in contaminated soil vapors.

1.1 Site Location

NWIRP Bethpage is located in east central Nassau County, Long Island, New York, approximately 30 miles east of New York City. The Navy's property totaled approximately 109.5 acres and was formerly a Government Owned Contractor-Operated (GOCO) facility that was operated by the Northrop Grumman Corporation (NGC) until September 1998. NWIRP Bethpage is bordered on the north, west, and south by property owned, or formerly owned, by NGC that covered approximately 605 acres, and, on the east, by a residential neighborhood. Site 1 (see **Figures 1** and **Figure 2**) lies within the fenced area of NWIRP Bethpage and is located east of Plant No. 3, west of 11th Street and north of Plant 17 South.

1.2 Background

NWIRP Bethpage was established in 1941. Since inception, the primary mission of the facility has been the research, prototyping, testing, design engineering, fabrication, and primary assembly of military aircraft. Historical operations that resulted in hazardous material generation at the facility included metal finishing processes, maintenance operations, painting of aircraft and components, and other activities that involve aircraft manufacturing. Wastes generated by plant operations were disposed directly into either drainage sumps, dry wells, and/or on the ground surface, resulting in the disposal of a number of hazardous wastes, including VOCs, semivolatile organic compounds (SVOCs), polychlorinated biphenyls (PCBs), and the inorganic analytes, chromium and cadmium at the site. Some of these contaminants have migrated from the points of disposal to surrounding areas, including the soils of these sites and the groundwater beneath and downgradient of the NWIRP Bethpage property. NWIRP Bethpage is currently listed by NYSDEC as an "inactive hazardous waste site" (#1-30-003B),

Soils at Site 1 consist mainly of unconsolidated sediments that overlie crystalline bedrock. A clay unit is present near the groundwater table [50 feet below ground surface (bgs)] at the southeast corner of the site. This clay unit is suspected to be a source of chlorinated solvents that are migrating into the overlying soil gas and the source of offsite VOCs in soil vapor.

Chlorinated solvents including trichloroethene (TCE), tetrachloroethene (PCE), and 1,1,1-trichloroethane (TCA) have been identified as the VOCs of interest in soil gas at the site. Concentrations greater than 1,000 µg/m³ (micrograms per cubic meter of soil vapor) have been directly associated with Site 1 activities and historical environmental data, and based on preliminary screening, exceed guidelines established by the New York State Department of Health (NYDOH) for slab soil vapor concentrations. Of these chemicals, TCE is the primary VOC of concern. Addressing TCE contamination in accordance with DOH guidance should address the other VOCs associated with the site. PCBs, cadmium, and chromium have also been identified in site soils at concentrations requiring remediation.

The majority of these chemicals have been detected in the central portion of Site 1 and will be addressed via a future remediation. Based on limited data, these chemicals are not expected to be present along the fence line at environmentally significant concentrations (i.e., trigger handling as hazardous waste).

1.3 Project Overview and Objective

The remedial objective for this project is to use an on-site soil vapor extraction system to prevent further off-site migration of VOC contaminated soil vapor and to the extent practical, capture contaminated soil vapor with a TCE concentration greater than 250 $\mu\text{g}/\text{m}^3$. A secondary objective of this project is to address soil vapor with a TCE concentration greater than 5 $\mu\text{g}/\text{m}^3$. The SVECS has been designed for a 4 year operational life.

1.4 SVECS Overview

The SVECS consists of soil vapor extraction, soil vapor monitoring, and soil vapor treatment. Twelve SVE wells are located along the eastern boundary of Site 1 in six clusters and have been piped below the ground to the Flow Monitoring Station (FMS), where flow, vacuum and vapor quality can be monitored. The FMS consists of an 8 ft wide x 8 ft tall x 20 ft long Conex box located in the southeast corner of Site 1. All the SVE lines collect into a single manifold within the FMS and from this location a single underground pipeline has been routed to the Treatment Building (Building 03-35).

The Treatment Building is an existing unoccupied building 31 ft wide x 60 ft long. The soil vapor treatment consists of moisture separation and off-gas treatment using vapor-phase granular activated carbon to remove the chlorinated VOCs. The layout of the SVECS is shown on **Figure 3**.

A Process Flow Diagram is presented in **Figure 4**, and illustrates the design flow rates through the soil vapor extraction and treatment process. The SVECS has been designed to process a nominal flow of 500 cubic feet per minute (cfm) and a maximum flow of 1,000 cfm of soil vapor extracted from six intermediate and six deep SVEWs. Prior to implementation of the SVECS, the mean concentrations of VOCs in soil gas samples collected along the eastern fence-line were 41,128 $\mu\text{g}/\text{m}^3$ of trichloroethene, 381 $\mu\text{g}/\text{m}^3$ of tetrachloroethene, and 20,634 $\mu\text{g}/\text{m}^3$ of 1,1,1-trichloroethane. The maximum concentration of VOCs in the soil gas samples were 180,000 $\mu\text{g}/\text{m}^3$ of trichloroethene, 1,200 $\mu\text{g}/\text{m}^3$ of tetrachloroethene, and 90,000 $\mu\text{g}/\text{m}^3$ of 1,1,1-trichloroethane. With the exception of maintenance and adjustment periods, the SVECS is expected to operate continuously 24 hours/day, 7 days/week for approximately four years.

The soil vapor extraction system consists of twelve SVE wells with 2-inch outside diameter Schedule 40 PVC risers and 0.020 high capacity machine slotted screens, installed in six clusters, each consisting of one intermediate well and one deep well. Intermediate wells SVE-101I, SVE-102I, SVE-103I, SVE-104I, SVE-105I, and SVE-106I have a screened interval between 25 and 35 ft below ground surface (bgs). Deep wells SVE-101D, SVE-102D, SVE-103D, SVE-104D, SVE-105D, and SVE-106D have a screened interval between 40 and 60 ft bgs. The groundwater table fluctuates between approximately 50 and 55 feet bgs. Well locations are presented in **Figure 5**. Each SVE well is operated at a flow rate of 40- 45 cfm for a total flow rate of 475 - 550 cfm. Each intermediate depth SVE well requires a vacuum of 4 inches of water column (i.w.) and each deep SVEW requires a vacuum of up to 20 i.w. in order to extract the targeted flow rates.

All of the piping for the SVECS is Schedule 40 PVC. Piping from the SVE wells to the FMS is approximately 3,600 linear feet and piping from the Flow Monitoring Station to the Treatment Building is approximately 1,400 linear feet. Within the FMS, the discharges from the individual SVEs have been equipped with a 2-inch flow control butterfly valve, a vacuum gauge, and a sampling port. The sampling port is utilized to measure the flow rate from an individual well using a portable velocity meter and to collect a vapor quality sample.

The soil vapor treatment system is housed within Building 03-35 and consists of a moisture separator, two soil vapor extraction blowers, and vapor-phase granular activated carbon (VGAC) unit for removal of chlorinated VOCs from the off-gas. Soil vapor that enters the Treatment Building first passes through the moisture separator tank where any condensate is separated and removed by a portable pump into 55-gallon drums and then disposed of onsite to the county's sanitary sewer system if necessary. The vapor is then passed through an air filter by the soil vapor extraction blower and then treated in the VGAC unit. The treated vapor is discharged from the VGAC via an exhaust stack. The SVECS has a control panel for local operation. The control panel is comprised of mechanical interlocks and relays.

The moisture separator tank is a 1,000 gallon, 5 ft diameter x 4 ft high side shell carbon steel tank with a corrosion resistant coating and visual sight glass. It has an integral vacuum relief valve and is equipped with a high condensate level sensor/switch.

The VGAC unit is a 6 ft wide x 8 ft long x 6.67 ft high carbon steel rectangular tank containing 5,000 lbs of vapor-phase granular activated carbon. It is designed to operate at a nominal flow rate of 500 cfm with a corresponding pressure drop of 3 i.w. and a maximum flow rate of 1,000 cfm with a corresponding pressure drop of 5 i.w.

The off-gas from the SVECS is monitored for chlorinated VOCs as identified in the DAR permit equivalent effluent limitations and monitoring requirements. The samples are analyzed by an analytical laboratory for tetrachloroethene, 1,1,1-trichloroethane, and trichloroethene.

2.0 SVECS OPERATION AND MAINTENANCE

While designed to run completely automated, the SVECS requires regular visits by an operator to record and adjust operational parameters and to perform scheduled maintenance. The SVECS is equipped with an auto dialer that will call an on-call operator in the event of a plant shutdown.

2.1 Routine Maintenance Activities

Routine maintenance activities at the SVECS during the quarter were performed during the operator's bi-weekly visits. These activities include general site inspections (the grounds, buildings, doors and locks), collection of operational data (vapor flowrates, pressures, vacuums, temperature and PID readings), adjustment of system valves, collection of vapor samples, collection/disposal of condensate, cleaning of filters, switching of lead/lag blower assignments, and preventive maintenance of system equipment.

2.2 Non-routine Maintenance Activities

Only routine maintenance activities were performed during the Third Quarter 2010 and no alarm responses were required.

While sewer discharge approval is in place to dispose of any condensation recovered from the moisture separator, during the reporting period, no such disposal was needed.

3.0 SVECS MONITORING

To monitor SVECS effectiveness, several process vapor samples are collected on a monthly basis including two influent samples, located immediately prior to the VGAC unit and one effluent sample located after the VGAC unit and before the exhaust stack. In addition, vapor samples are collected from all 12 SVEWs on a quarterly basis to determine the effectiveness of the remediation activities and monitor the hydraulic containment and capture of the contaminated soil vapor by the intermediate and deep extraction wells.

3.1 Monthly Air Quality Monitoring

Sampling and monitoring of influent and effluent locations are performed to evaluate VOC mass removal and the effectiveness of the vapor-phase granular activated carbon adsorption unit. Composite vapor samples are collected using 6L summa canisters with one hour flow regulators. NYSDEC discharge limits are as follows below:

Contaminant	Discharge limit	
	(lbs/hr)	(lbs/yr)
Trichloroethylene	0.07	590.6
Tetrachloroethylene	0.0009	7.9
1,1,1-Trichloroethane	0.13	1,181

A summary of monthly vapor sampling results performed during the Third Quarter 2010 is presented in **Tables 1-3**. Raw analytical data is presented in **Appendix A**. Also presented in **Tables 1-3** are emission rate calculations for both prior to, and following treatment, as well as, estimated mass removals via carbon adsorption. The data demonstrates that all permitted constituents were in compliance for the quarter. Emission rate calculation of the influent stream is important because it can be used to determine when influent concentrations have reached levels in which vapor treatment via carbon adsorption is no longer required.

3.2 Quarterly Air Quality Monitoring

Once per calendar quarter, composite vapor samples are collected using 6L summa canisters with one hour flow regulators at all 12 intermediate and deep SVE wells. It should be noted that this sampling is for the purpose of tracking and documenting the performance of SVECS at maintaining hydraulic containment and capturing the contaminated soil vapor operations.

A summary of analytical results of the quarterly SVE well vapor samples collected during the Third Quarter 2010 are presented in **Table 4**. Raw analytical data is presented in **Appendix A**.

TABLES

Table 1
 Soil Vapor Extraction Containment System
 Site 1, Former Drum Marshalling Yard
 Naval Weapons Industrial Reserve Plant - Bethpage, NY
 Monthly Vapor Monitoring Results
 July 2010

Compound	Concentration ($\mu\text{g}/\text{m}^3$)				Emission Rate ^{(1),(2)}				Monthly Mass Removal ⁽³⁾ (lbs)
	Influent #1	Influent #2	Average	Effluent	Prior to Treatment		Following Treatment		
					(lbs/hr)	(lbs/yr)	(lbs/hr)	(lbs/yr)	
Acetone	81.6	9.4	45.5	49.5	0.0001	0.6164	0.0001	0.6706	0.00
2-Butanone	17.2		17.2	6.5	0.0000	0.2330	0.0000	0.0881	0.01
Carbon Tetrachloride		2.7 J	2.7 J	0.0	0.0000	0.0366	0.0000	0.0000	0.00
Chloroform	14.5	16.9	15.7	0.0	0.0000	0.2127	0.0000	0.0000	0.02
1,1-Dichloroethane	51.8	57.4	54.6	3.3 J	0.0001	0.7397	0.0000	0.0447	0.06
1,2-Dichloroethane		1.8 J	1.8 J	0.0	0.0000	0.0244	0.0000	0.0000	0.00
1,1-Dichloroethene	2.1 J	2.1 J	2.1 J	3.2 J	0.0000	0.0284	0.0000	0.0434	0.00
cis-1,2-Dichloroethene	192	213	202.5	2.7 J	0.0003	2.7433	0.0000	0.0366	0.23
trans-1,2-Dichloroethene	2.3 J	4.1	3.2 J	0.0	0.0000	0.0434	0.0000	0.0000	0.00
Freon 113	129	130	129.5	0.0	0.0002	1.7544	0.0000	0.0000	0.15
Hexane	1.5 J		1.5 J	4.4	0.0000	0.0203	0.0000	0.0596	0.00
2-Hexanone	6.5		6.5	0.0	0.0000	0.0881	0.0000	0.0000	0.01
Isopropyl Alcohol	3.4		3.4	4.6	0.0000	0.0461	0.0000	0.0623	0.00
Isopropylbenzene	170	3.9 J	86.95	60.6	0.0001	1.1779	0.0001	0.8210	0.03
MIBK	2.5 J	1.7 J	2.1 J	0.0	0.0000	0.0284	0.0000	0.0000	0.00
Propylene	1.5 J		1.5 J	0.0	0.0000	0.0203	0.0000	0.0000	0.00
Tetrachloroethylene	1470	1710	1590	3.6 J	0.0025	21.5403	0.0000	0.0488	1.83
Tetrahydrofuran	35.4	36.4	35.9	1.6 J	0.0001	0.4864	0.0000	0.0217	0.04
Toluene	3.1 J	2.8 J	2.95 J	2.2 J	0.0000	0.0400	0.0000	0.0298	0.00
1,1,1-Trichloroethane	203	231	217	0.0	0.0003	2.9398	0.0000	0.0000	0.25
1,1,2-Trichloroethane		2.5 J	2.5 J	0.0	0.0000	0.0339	0.0000	0.0000	0.00
Trichloroethylene	774	883	828.5	0.0	0.0013	11.2240	0.0000	0.0000	0.95
Trichlorofluoromethane	3.5 J	2.8 J	3.15 J	3.6 J	0.0000	0.0427	0.0000	0.0488	0.00
Vinyl Acetate	2.9 J		2.9	0.0	0.0000	0.0393	0.0000	0.0000	0.00
Total Xylenes	2.1 J	2 J	2.05 J	0.0	0.0000	0.0278	0.0000	0.0000	0.00
Total VOC's	3170	3317	3265	183	0.0050	44.2295	0.0003	2.4738	3.55

Notes:

Average Monthly Vapor Temp (°F) = 121
 Average Monthly Flowrate (cfm) = 455
 Average Monthly Flowrate (scfm) = 413
 Operational Hours for the month = 744

(1) Emissions (lbs/hr) = Concentration ($\mu\text{g}/\text{m}^3$) * (lb/454000000 μg) * (0.0283 m^3/ft^3) * exhaust flow (scfm) * (60min/hour)

(2) Emissions (lbs/yr) = Emissions (lbs/hour) * (8760hours/yr)

(3) Monthly Mass Removal = AVERAGE FLOWRATE (scfm) * 0.0283 m^3/ft^3 * CONC.(mg/m^3) * 0.00001 g/mg * 0.002205 lbs/g * 60 min/hr * OPERATIONAL TIME (hours)

Table 2
Soil Vapor Extraction Containment System
Site 1, Former Drum Marshalling Yard
Naval Weapons Industrial Reserve Plant - Bethpage, NY
Monthly Vapor Monitoring Results
August 2010

Compound	Concentration ($\mu\text{g}/\text{m}^3$)				Emission Rate ^{(1),(2)}				Monthly Mass Removal ⁽³⁾ (lbs)
	Influent #1	Influent #2	Average	Effluent	Prior to Treatment		Following Treatment		
					(lbs/hr)	(lbs/yr)	(lbs/hr)	(lbs/yr)	
Acetone	21.7	6.3	14	14.5	0.0000	0.1873	0.0000	0.1939	0.00
2-Butanone	9.1	7.5	8.3	2.9	0.0000	0.1110	0.0000	0.0388	0.01
Carbon Tetrachloride	1.5 J	1.9 J	1.7 J	0.0	0.0000	0.0227	0.0000	0.0000	0.00
Chloroform	4.8	5.8	5.3	0.0	0.0000	0.0709	0.0000	0.0000	0.01
1,1-Dichloroethane	67.1	67.6	67.35	11.2 J	0.0001	0.9008	0.0000	0.1498	0.06
1,2-Dichloroethane	1.3 J	1.4 J	1.35 J	0.0	0.0000	0.0181	0.0000	0.0000	0.00
1,1-Dichloroethene	1.5 J	1.7 J	1.6 J	5.5 J	0.0000	0.0214	0.0000	0.0736	0.00
cis-1,2-Dichloroethene	270	261	265.5	11.0 J	0.0004	3.5512	0.0000	0.1471	0.29
trans-1,2-Dichloroethene	3.6	4.0	3.8 J	0.0	0.0000	0.0508	0.0000	0.0000	0.00
Freon 113	126	122	124	6.4	0.0002	1.6586	0.0000	0.0856	0.13
Hexane	1.5 J		1.5 J	0.0	0.0000	0.0201	0.0000	0.0000	0.00
2-Hexanone	1.7 J		1.7	0.0	0.0000	0.0227	0.0000	0.0000	0.00
Isopropyl Alcohol	0.88 J	0.72 J	0.8	0.0	0.0000	0.0107	0.0000	0.0000	0.00
Isopropylbenzene	94.8	35.9 J	65.35	28.7	0.0001	0.8741	0.0000	0.3839	0.04
MIBK	0.95 J	0.94 J	0.945 J	0.0	0.0000	0.0126	0.0000	0.0000	0.00
Methylene Chloride	0.86 J	6.6	3.73	1.5 J	0.0000	0.0499	0.0000	0.0201	0.00
Propylene			J	0.0	0.0000	0.0000	0.0000	0.0000	0.00
Tetrachloroethylene	5780	1640	3710	0.0 J	0.0057	49.6230	0.0000	0.0000	4.22
Tetrahydrofuran	30.1	28	29.05	6.0	0.0000	0.3886	0.0000	0.0803	0.03
1,1,1-Trichloroethane	868	260	564	0.0	0.0009	7.5438	0.0000	0.0000	0.64
1,1,2-Trichloroethane		1.6 J	1.6 J	0.0	0.0000	0.0214	0.0000	0.0000	0.00
Trichloroethylene	4170	960	2565	0.0	0.0039	34.3081	0.0000	0.0000	2.92
Trichlorofluoromethane	2.4 J	1.6 J	2 J	1.8 J	0.0000	0.0268	0.0000	0.0241	0.00
Total Xylenes	1 J	1.3 J	1.15 J	0.0	0.0000	0.0154	0.0000	0.0000	0.00
Total VOC's	11459	3416	7440	92	0.0114	99.5099	0.0001	1.2265	8.36

Notes:

Average Monthly Vapor Temp (°F) = 122
Average Monthly Flowrate (cfm) = 450
Average Monthly Flowrate (scfm) = 408
Operational Hours for the month = 744

(1) Emissions (lbs/hr) = Concentration ($\mu\text{g}/\text{m}^3$) * (lb/454000000 μg) * (0.0283 m^3/ft^3) * exhaust flow (scfm) * (60min/hour)

(2) Emissions (lbs/yr) = Emissions (lbs/hour) * (8760hours/yr)

(3) Monthly Mass Removal = AVERAGE FLOWRATE (scfm) * 0.02832 m^3/ft^3 * CONC.(mg/m^3) * 0.000001g/mg * 0.002205 lbs/g * 60 min/hr * OPERATIONAL TIME (hours)

Table 3
 Soil Vapor Extraction Containment System
 Site 1, Former Drum Marshalling Yard
 Naval Weapons Industrial Reserve Plant - Bethpage, NY
 Monthly Vapor Monitoring Results
 September 2010

Compound	Concentration ($\mu\text{g}/\text{m}^3$)				Emission Rate ^{(1),(2)}				Monthly Mass Removal ⁽³⁾ (lbs)
	Influent #1	Influent #2	Average	Effluent	Prior to Treatment		Following Treatment		
					(lbs/hr)	(lbs/yr)	(lbs/hr)	(lbs/yr)	
Acetone	15	5	10	21.0	0.0000	0.1434	0.0000	0.3011	-0.01
2-Butanone	6	5	5.5	4.0	0.0000	0.0789	0.0000	0.0574	0.00
Carbon Tetrachloride	3	3	3	0.0	0.0000	0.0430	0.0000	0.0000	0.00
Chloroform	5	6	5.5	2.0	0.0000	0.0789	0.0000	0.0287	0.00
1,1-Dichloroethane	56	62	59	22.0	0.0001	0.8461	0.0000	0.3155	0.04
1,2-Dichloroethane	2	2	2	0.0	0.0000	0.0287	0.0000	0.0000	0.00
1,1-Dichloroethene	3	3	3	7.0	0.0000	0.0430	0.0000	0.1004	0.00
cis-1,2-Dichloroethene	240	240	240	26.0	0.0004	3.4417	0.0000	0.3728	0.25
trans-1,2-Dichloroethene	5	5	5	0.0	0.0000	0.0717	0.0000	0.0000	0.01
Freon 113	170	180	175	22.0	0.0003	2.5096	0.0000	0.3155	0.18
Hexane	1	1	1	2.0	0.0000	0.0143	0.0000	0.0287	0.00
2-Hexanone	2		2	0.0	0.0000	0.0287	0.0000	0.0000	0.00
Isopropyl Alcohol	1	2	1.5	2.0	0.0000	0.0215	0.0000	0.0287	0.00
Isopropylbenzene	50	2	26	31.0	0.0000	0.3728	0.0001	0.4445	-0.01
MIBK	2	1	1.5	0.0	0.0000	0.0215	0.0000	0.0000	0.00
Methylene Chloride	2	3	2.5	6.0	0.0000	0.0359	0.0000	0.0860	0.00
Tetrachloroethylene	1200	1200	1200	0.0	0.0020	17.2084	0.0000	0.0000	1.42
Tetrahydrofuran	18	19	18.5	18.0	0.0000	0.2653	0.0000	0.2581	0.00
1,1,1-Trichloroethane	260	260	260	9.0	0.0004	3.7285	0.0000	0.1291	0.30
1,1,2-Trichloroethane	3	3	3	0.0	0.0000	0.0430	0.0000	0.0000	0.00
Trichloroethylene	780	780	780	0.0	0.0013	11.1854	0.0000	0.0000	0.92
Trichlorofluoromethane	3	3	3	4.0	0.0000	0.0430	0.0000	0.0574	0.00
Total Xylenes		1	1	7.0	0.0000	0.0143	0.0000	0.1004	-0.01
Total VOC's	2827	2786	2808	185	0.0046	40.2676	0.0003	2.6558	3.10

Notes:

Average Monthly Vapor Temp (°F) = 113
 Average Monthly Flowrate (cfm) = 475
 Average Monthly Flowrate (scfm) = 438
 Operational Hours for the month = 720

(1) Emissions (lbs/hr) = Concentration ($\mu\text{g}/\text{m}^3$) * (lb/454000000 μg) * (0.0283 m^3/ft^3) * exhaust flow (scfm) * (60min/hour)

(2) Emissions (lbs/yr) = Emissions (lbs/hour) * (8760hours/yr)

(3) Monthly Mass Removal = AVERAGE FLOWRATE (scfm) * 0.02832 m^3/ft^3 * CONC.(mg/m^3) * 0.000001 g/mg * 0.002205 lbs/g * 60 min/hr * OPERATIONAL TIME (hours)

Table 4
Soil Vapor Extraction Containment System
Site 1, Former Drum Marshalling Yard
Naval Weapons Industrial Reserve Plant - Bethpage, NY
Quarterly Vapor Monitoring Results
Third Quarter 2010

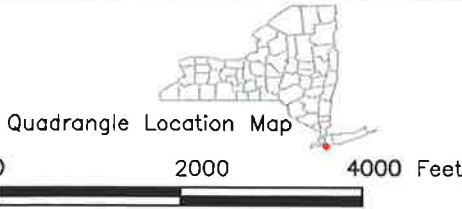
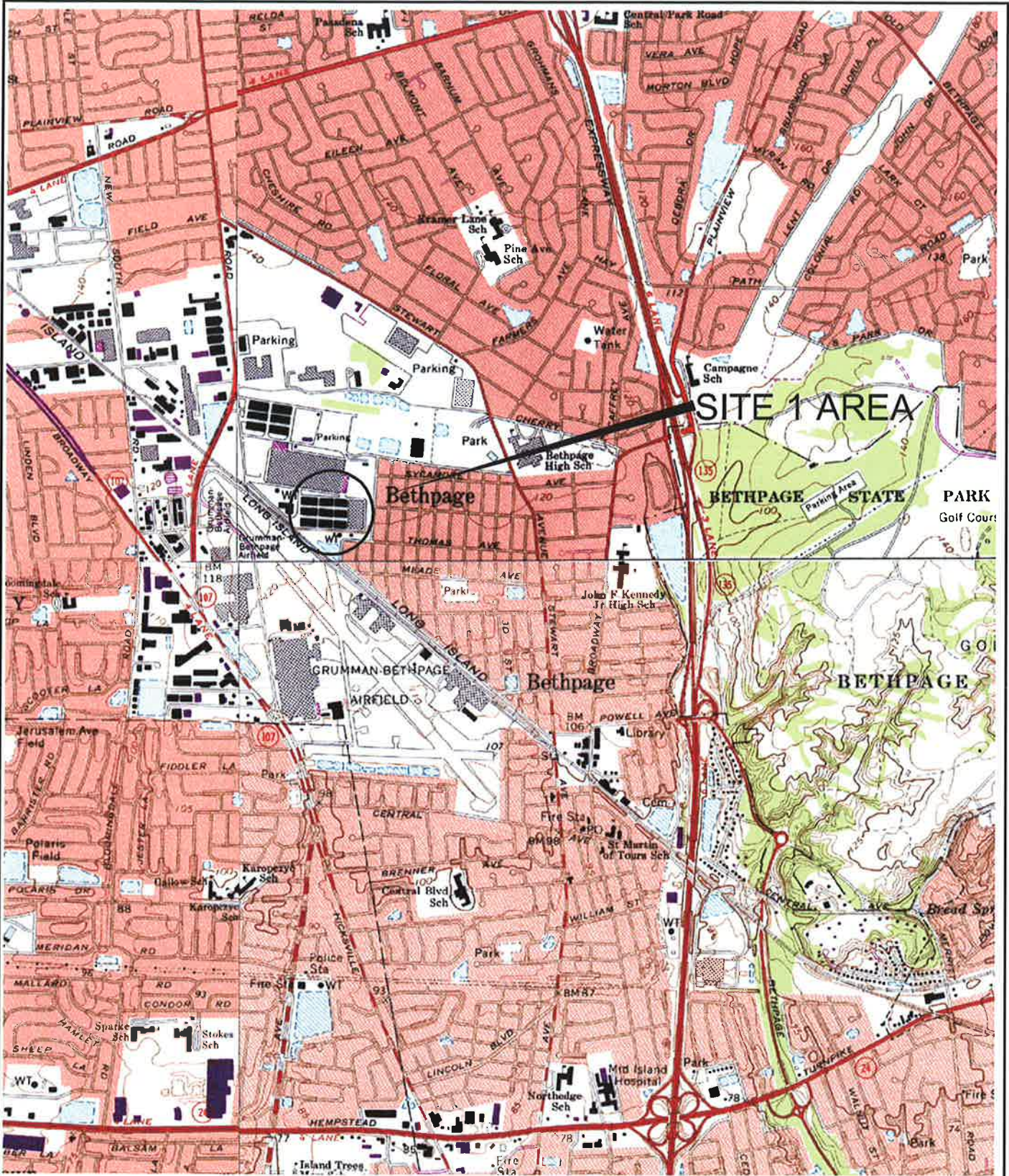
Sample ID	SVE 101I	SVE101D	SVE102I	SVE102D	SVE103I	SVE103D	SVE104I	SVE104D	SVE105I	SVE105D	SVE 106I	SVE 106D
Sample Date	09/16/10	09/16/10	09/16/10	09/16/10	09/16/10	09/16/10	09/16/10	09/16/10	09/16/10	09/16/10	09/16/10	09/16/10
Analysis by TO-15 (µg/m³)												
acetone	9	19	6	10	13	10	11	10	11	35	5	25
acrylonitrile	ND	ND	ND	ND	ND	ND	ND	ND	ND	ND	0.4	ND
tert-amyl methyl ether	ND	ND	ND	ND	ND	ND	ND	ND	ND	ND	ND	ND
benzene	1	ND	ND	ND	2	ND	1	ND	ND	ND	0.8	ND
benzyl chloride	ND	ND	ND	ND	ND	ND	ND	ND	ND	ND	1	ND
bromodichloromethane	23	ND	ND	ND	ND	ND	ND	ND	ND	6	ND	ND
bromoform	ND	ND	ND	ND	ND	ND	ND	ND	ND	ND	ND	ND
bromomethane	ND	ND	ND	ND	ND	ND	ND	ND	ND	ND	0.9	ND
1,3-butadiene	ND	ND	ND	1	ND	ND	ND	ND	ND	ND	1	ND
n-butane	0.8	ND	4	ND	3	2	2	ND	0.5	ND	0.8	ND
2-butanone	3	ND	ND	4	2	4	3	ND	4	7	4	8
tert-butyl alcohol	ND	ND	ND	ND	ND	3	ND	ND	1	3	0.9	4
carbon disulfide	ND	ND	ND	ND	ND	ND	ND	ND	ND	ND	0.8	ND
carbon tetrachloride	2	ND	ND	ND	ND	ND	ND	ND	ND	3	2	8
chlorobenzene	ND	ND	ND	ND	ND	ND	ND	ND	ND	ND	ND	ND
chlorodibromomethane	ND	ND	ND	ND	ND	ND	ND	ND	ND	ND	ND	ND
chloroethane	ND	ND	ND	ND	ND	ND	ND	ND	ND	1	0.6	ND
chloroform	2	ND	4	11	ND	ND	2	ND	ND	ND	1	ND
chloromethane	1	1	ND	ND	1	3	ND	0.9	0.9	1	0.8	3
3-chloro-1-propene	ND	ND	ND	ND	ND	ND	ND	ND	ND	ND	ND	ND
o-chlorotoluene	ND	ND	ND	ND	ND	ND	ND	ND	ND	ND	ND	ND
cyclohexane	ND	ND	ND	ND	1	ND	0.8	ND	ND	ND	ND	ND
1,2-dibromoethane	ND	ND	ND	ND	ND	ND	ND	ND	ND	ND	ND	ND
1,2-dichlorobenzene	ND	ND	ND	ND	ND	ND	ND	ND	ND	ND	1	ND
1,3-dichlorobenzene	ND	ND	ND	ND	ND	ND	ND	ND	ND	ND	ND	ND
1,4-dichlorobenzene	ND	ND	ND	ND	ND	ND	ND	ND	ND	ND	ND	ND
dichlorodifluoromethane	3	2	ND	2	3	6	2	2	2	2	3	6
1,1-dichloroethane	14	ND	ND	ND	ND	ND	ND	ND	ND	250	1	5
1,2-dichloroethane	4	ND	ND	ND	ND	ND	ND	ND	ND	ND	0.8	ND
1,1-dichloroethene	4	ND	ND	ND	ND	ND	ND	ND	ND	2	ND	ND
cis-1,2-dichloroethene	9	ND	ND	ND	1	ND	2	ND	ND	300	4	13
trans-1,2-dichloroethene	ND	ND	ND	ND	ND	ND	ND	ND	ND	3	0.9	ND
1,2-dichloropropane	ND	ND	ND	ND	ND	ND	ND	ND	ND	ND	ND	ND
cis-1,3-dichloropropene	ND	ND	ND	ND	ND	ND	ND	ND	ND	ND	ND	ND
trans-1,3-dichloropropene	ND	ND	ND	ND	ND	ND	ND	ND	ND	ND	ND	ND
diisopropyl ether	ND	14	ND	ND	3	5	5	ND	ND	2	ND	ND
1,4-dioxane	ND	ND	ND	ND	ND	ND	ND	ND	ND	ND	ND	ND
ethanol	5	7	2	5	17	6	19	4	5	8	3	8
ethyl acetate	ND	12	ND	ND	3	5	5	ND	ND	2	ND	ND
ethyl tert-butyl ether	ND	ND	ND	ND	ND	ND	ND	ND	ND	ND	ND	ND
ethylbenzene	3	ND	3	3	1	ND	2	ND	4	4	3	5
4-ethylbenzene	3	ND	5	3	ND	2	ND	7	5	5	5	6
freon 113	ND	4	ND	ND	ND	ND	ND	ND	ND	81	4	ND
freon 114	ND	ND	ND	ND	ND	ND	ND	ND	ND	ND	2	ND
heptane	ND	ND	ND	ND	2	ND	1	ND	ND	ND	ND	ND
hexachlorobutadiene	ND	ND	ND	ND	ND	ND	ND	ND	ND	ND	2	ND
hexane	1	30	ND	1	6	3	10	2	2	5	0.8	3
2-hexanone	ND	ND	ND	ND	ND	ND	ND	ND	ND	ND	ND	ND
isopropyl alcohol	ND	9	ND	1	4	5	6	1	ND	2	1	5
isopropylbenzene	ND	ND	ND	ND	ND	ND	ND	ND	ND	ND	1	ND
p-isopropyltoluene	ND	ND	ND	ND	ND	ND	ND	ND	ND	ND	2	ND
methyl methacrylate	ND	ND	ND	ND	ND	ND	ND	ND	ND	ND	ND	ND
methyl-tert-butyl-ether	ND	4	ND	ND	1	ND	1	ND	ND	ND	ND	ND
MIBK	ND	ND	ND	ND	ND	ND	ND	ND	ND	ND	ND	ND
methylene chloride	ND	150	ND	7	29	7	51	6	6	16	2	4
naphthalene	4	ND	3	3	ND	ND	ND	ND	3	9	6	8
iso-octane	2	ND	ND	ND	2	ND	ND	ND	ND	ND	1	ND
n-propylbenzene	2	ND	3	ND	ND	ND	1	ND	4	3	3	ND
propylene	ND	ND	ND	ND	ND	ND	ND	ND	ND	2	ND	ND
styrene	ND	ND	ND	ND	ND	ND	ND	ND	ND	ND	ND	ND
1,1,2,2-tetrachloroethane	ND	ND	ND	ND	ND	ND	ND	ND	ND	ND	ND	ND
tetrachloroethene	36	ND	6	19	ND	9	96	ND	ND	270	15	ND
tertahydrofuran	4	ND	6	36	1	4	4	ND	5	6	6	8
toluene	3	ND	3	3	6	4	7	ND	4	3	2	5
total xylenes	13	ND	22	15	6	ND	12	ND	28	22	17	21
1,2,4-trichlorobenzene	ND	ND	ND	ND	ND	ND	ND	ND	ND	ND	2	ND
1,1,1-trichloroethane	450	ND	3	7	ND	ND	4	ND	ND	1000	4	20
1,1,2-trichloroethane	3	ND	ND	ND	ND	ND	ND	ND	ND	ND	ND	ND
trichloroethene	1200	3	88	110	ND	7	72	ND	ND	1100	140	230
trichlorofluoromethane	2	ND	ND	5	2	6	2	ND	1	ND	2	6
1,2,3-trichloropropane	ND	ND	ND	ND	ND	ND	ND	ND	ND	ND	ND	ND
1,2,4-trimethylbenzene	15	ND	35	18	2	8	12	3	44	30	29	17
1,3,5-trimethylbenzene	4	ND	7	4	ND	ND	3	ND	10	6	6	6
1,2,3-trimethylbenzene	6	ND	10	5	ND	5	4	ND	14	8	9	8
vinyl acetate	1	ND	ND	ND	3	4	2	ND	ND	2	1	4
vinyl bromide	ND	ND	ND	ND	ND	ND	ND	ND	ND	ND	0.9	ND
vinyl chloride	ND	ND	ND	ND	ND	ND	ND	ND	ND	ND	0.5	ND

Notes:

ND = Not Detected

µg/m³ = micrograms per cubic meter

FIGURES

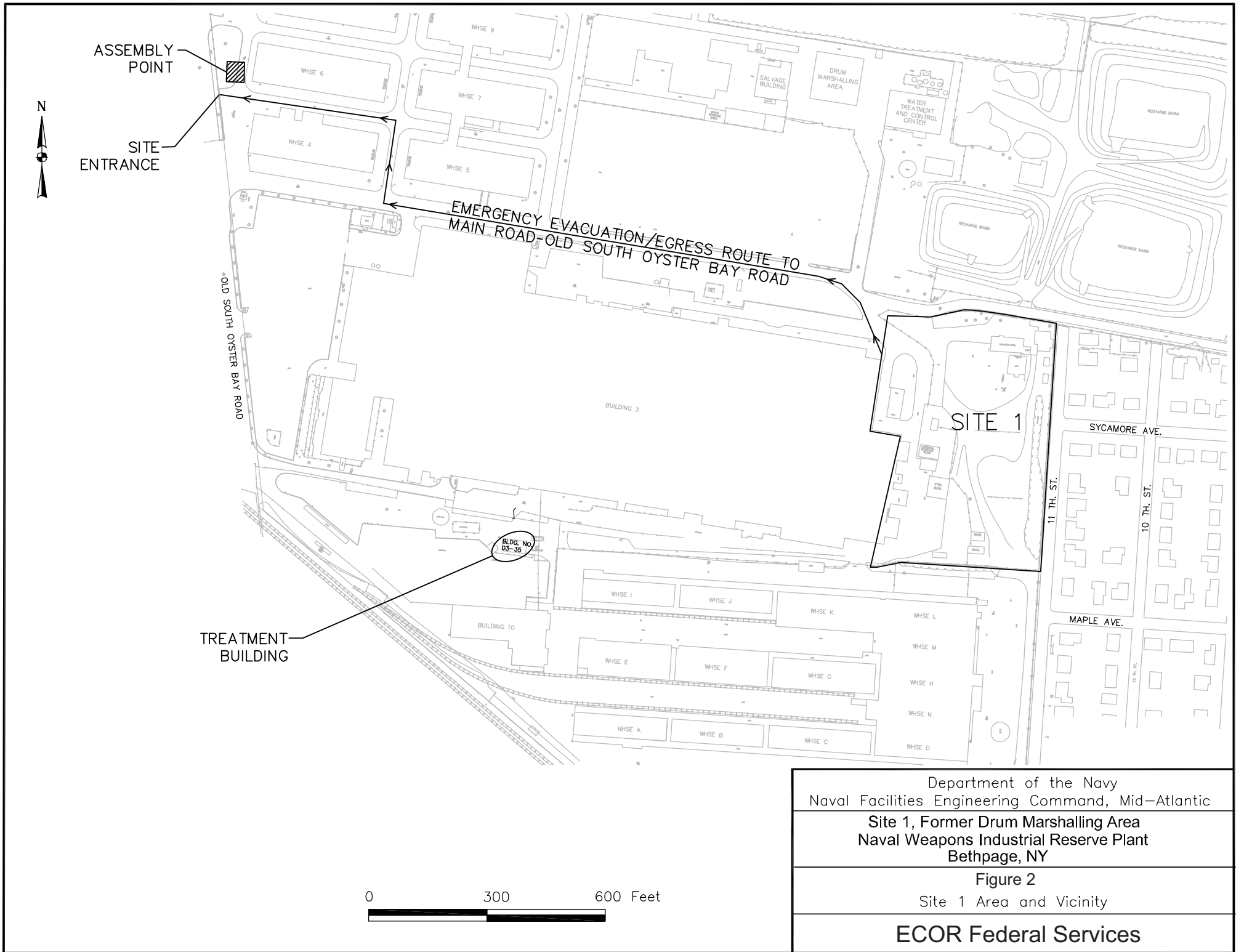


Department of the Navy
 Naval Facilities Engineering Command, Mid-Atlantic
 Site 1, Former Drum Marshalling Area
 Naval Weapons Industrial Reserve Plant
 Bethpage, NY

Figure 1: Site Location Map

ECOR Federal Services

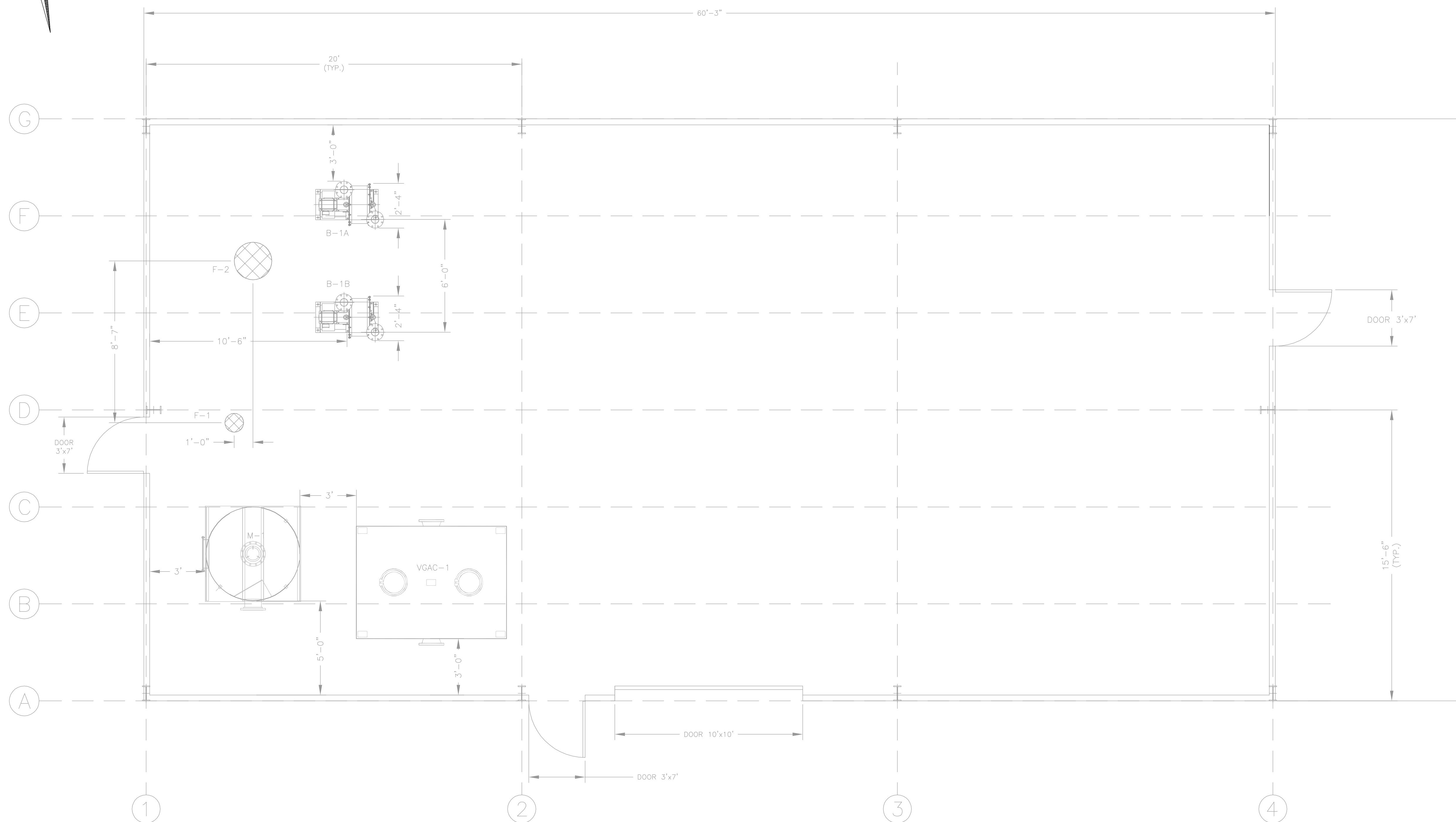
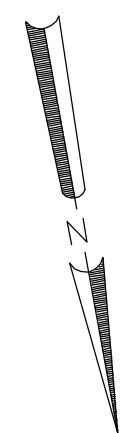
Source: U.S.G.S. Topographic Maps (7.5 Minute)
 Amityville, Freeport, Hicksville, Huntington, NY Quadrangles



Department of the Navy
 Naval Facilities Engineering Command, Mid-Atlantic
 Site 1, Former Drum Marshalling Area
 Naval Weapons Industrial Reserve Plant
 Bethpage, NY

Figure 2
 Site 1 Area and Vicinity

ECOR Federal Services



NOTES:

1. ALL MAN DOORS AND OVERHEAD DOORS ARE EXISTING. MAN DOORS ARE APPROXIMATELY 7'X3'. OVERHEAD DOOR IS APPROXIMATELY 10'X10'.

PROCESS EQUIPMENT LIST		
ITEM NUMBER	NUMBER REQUIRED	NAME/DESCRIPTION
M-1	1	MOISTURE SEPARATOR -CONFIGURATION: VERTICAL, CYLINDRICAL -MATERIAL OF CONSTRUCTION: CARBON STEEL, EPOXY INTERIOR COATING, PAINT EXTERIOR COATING -CAPACITY: 400 GALLON CONDENSATE COLLECTION -DIMENSIONS: 5 FT DIA X 6 FEET HT, 718 GALLON
F-1	1	MAKE-UP AIR FILTER -CONFIGURATION: INTAKE FILTER/SILENCER COMBINATION HOUSING -MATERIAL OF CONSTRUCTION: CARBON STEEL, CORROSION RESISTANCE COATING -CAPACITY: 500 CFM AT 20 IW, 4 INCH FLANGED CONNECTION
F-2	1	BLOWER AIR FILTER -CONFIGURATION: INLINE VACUUM SERVICE FILTER -MATERIAL OF CONSTRUCTION: CARBON STEEL, CORROSION RESISTANCE COATING -CAPACITY: 1,200 CFM AT 35 IW, 10 INCH FLANGED CONNECTION
B-1A, B-1B	2	SOIL VAPOR EXTRACTION BLOWER -CONFIGURATION: HORIZONTAL CENTRIFUGAL -RATING: 600 CFM AT 40 IW -MOTOR: 7.5 HP, 460V, 3PH, 60HZ, ODP
VGAC-1	1	VAPOR-PHASE GRANULAR ACTIVATED CARBON -CONFIGURATION: RECTANGULAR TANK -MATERIAL OF CONSTRUCTION: CARBON STEEL, EPOXY INTERIOR COATING, EPOXY EXTERIOR COATING -RATING: 1,600 CFM AT 3 IW, 2,000 CFM AT 6 IW -CAPACITY: 5,000 LBS CARBON -DIMENSIONS: 6' X 8' FOOTPRINT, 6' 8" HT

TETRA TECH ENGINEERING CORPORATION PC	
DESIGNED BY: [] DRAWN BY: [] CHECKED BY: [] SUBMITTED BY: [] SOUTHWEST, TX	DATE: [] DATE: [] DATE: [] DATE: [] DATE: []
APPROVED: [] DATE: []	APPROVED: [] DATE: []
PREP BY: DLB DATE: 10-14-09	APPROVED: SGP DATE: 10-14-09
DESCRIPTION: SOIL VAPOR EXTRACTION CONTAINMENT SYSTEM LAYOUT PLAN	REV: 0 ISSUED FOR CONSTRUCTION
NAVAL FACILITIES ENGINEERING COMMAND, MID-ATLANTIC BETHPAGE, NEW YORK SITE 1, FORMER DRUM MARSHALLING AREA SOIL VAPOR EXTRACTION CONTAINMENT SYSTEM LAYOUT PLAN	
DEPARTMENT OF THE NAVY NAVAL FACILITIES ENGINEERING COMMAND, MID-ATLANTIC NAVAL WEAPONS INDUSTRIAL RESERVE PLANT	APPROVED: [] DATE: [] EPCNE FOR COMMANDER, NAVFAC

THIS DRAWING PRODUCED ON AUTOCAD
DO NOT REVISE MANUALLY

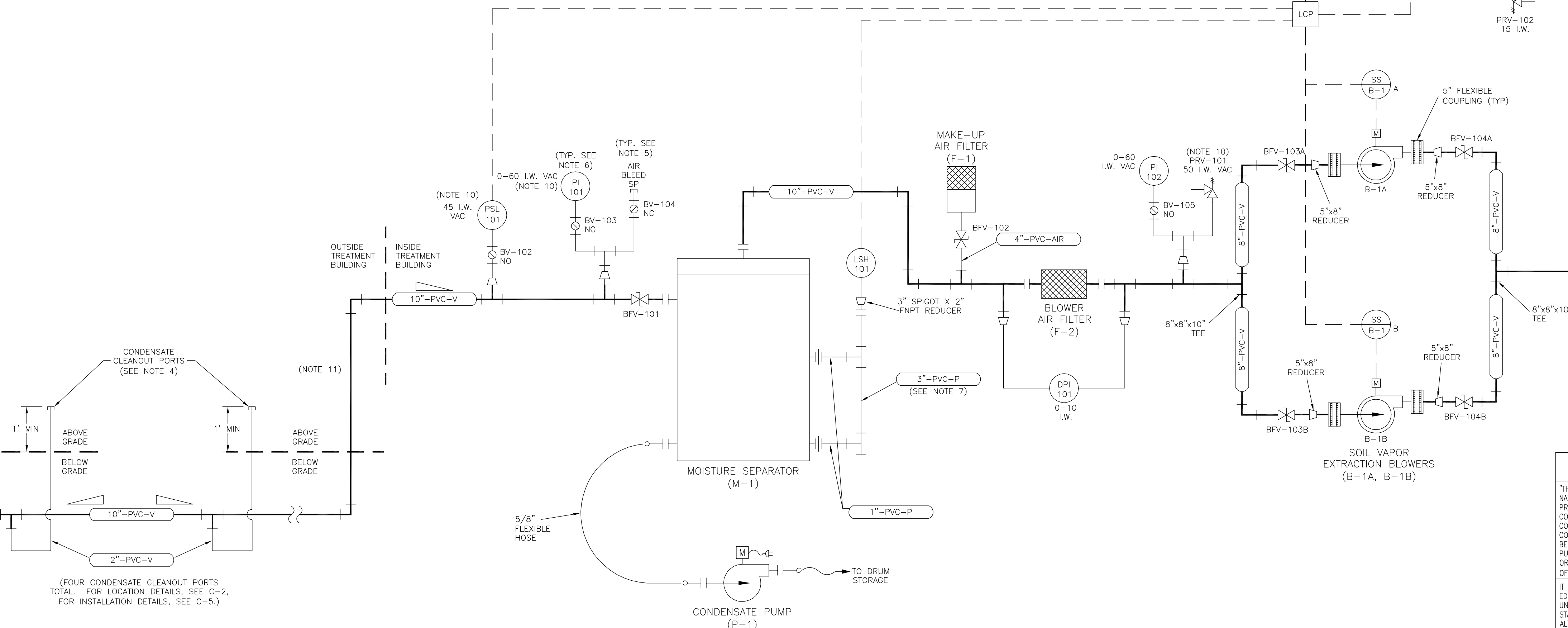
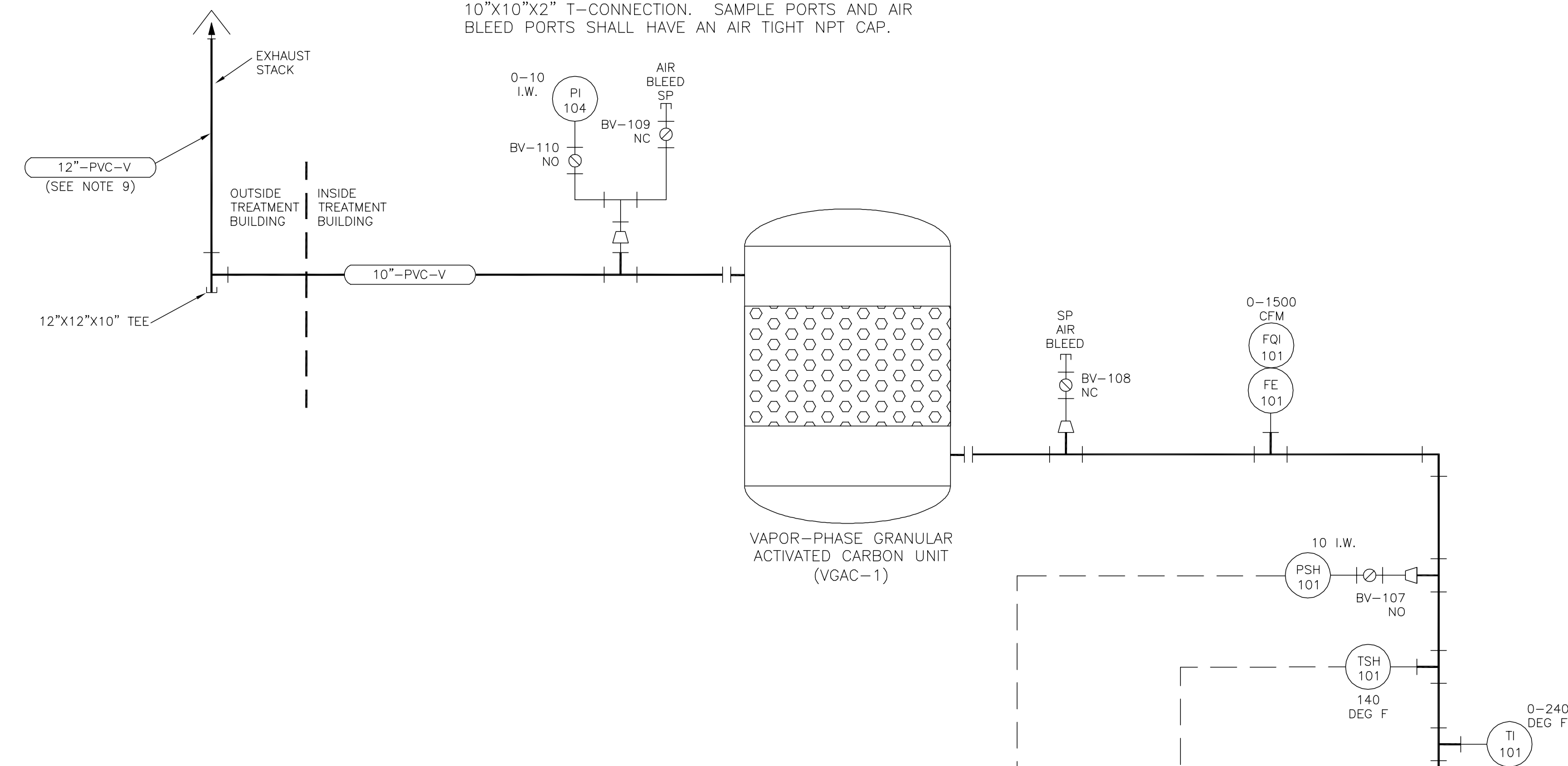
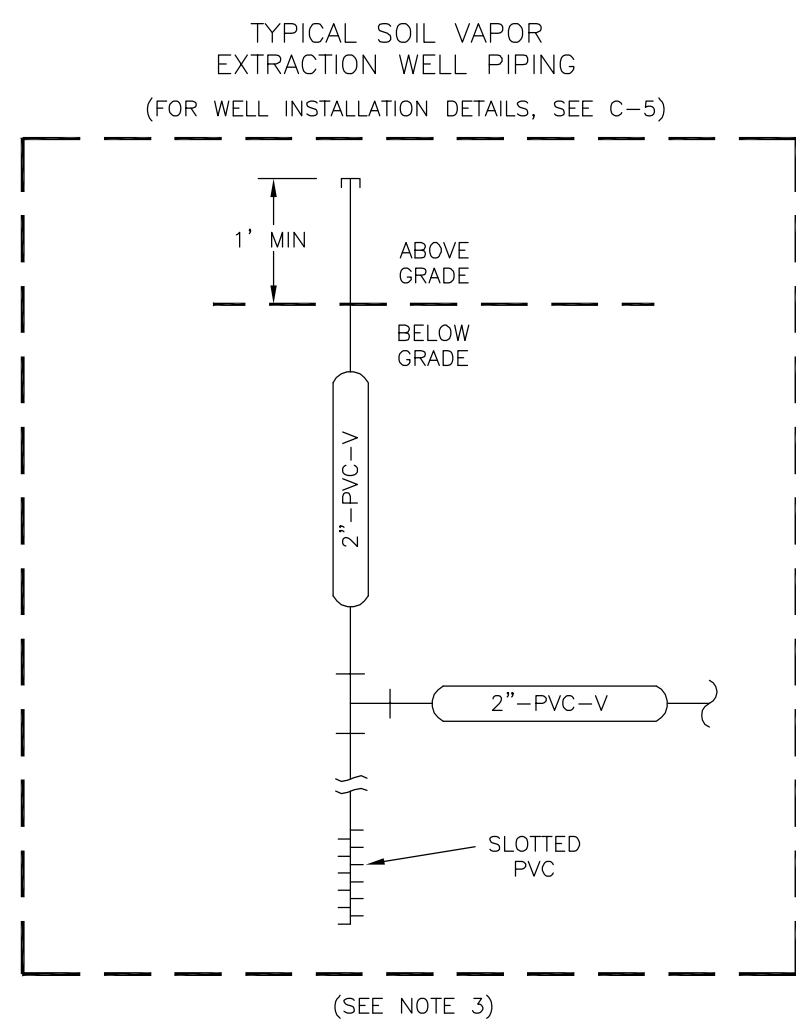
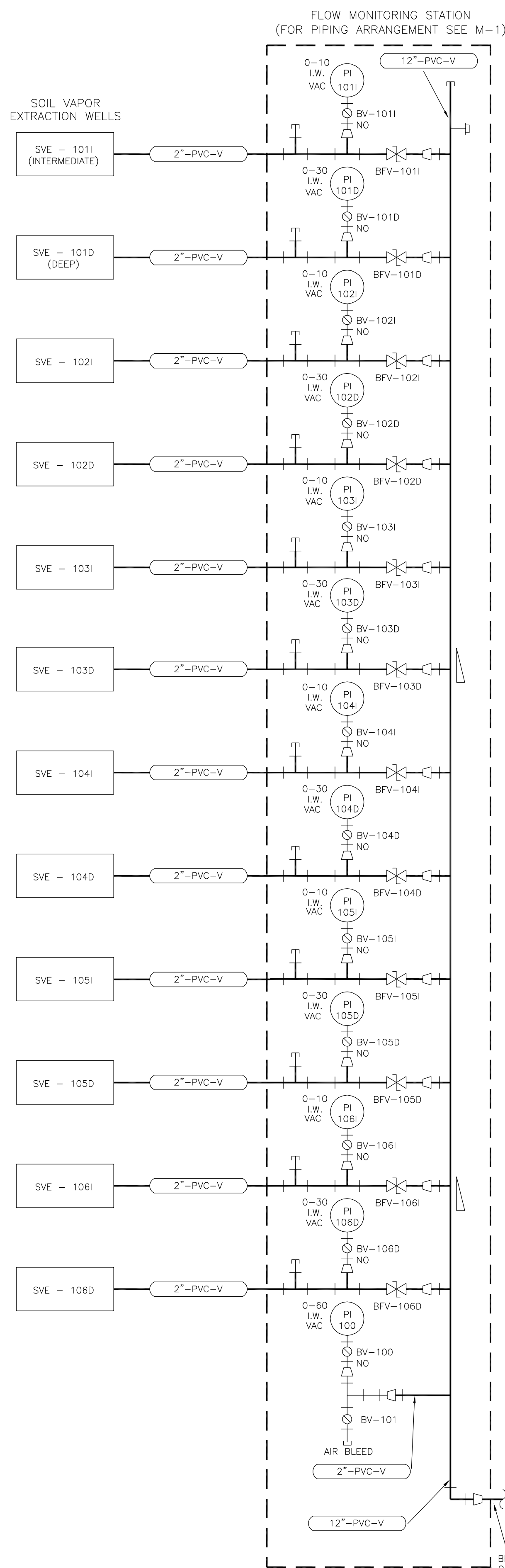
THIS DOCUMENT IS THE PROPERTY OF NAVAL FACILITIES ENGINEERING COMMAND, PREPARED BY TETRA TECH ENGINEERING CORPORATION PC, AND IS PROVIDED UPON THE CONDITION THAT IT WILL NOT BE REPRODUCED, COPIED, OR ISSUED TO A THIRD PARTY, AND WILL BE USED SOLELY FOR THE ORIGINAL INTENDED PURPOSE AND SOLELY FOR THE EXECUTION OR REVIEW OF THE ENGINEERING CONSTRUCTION OF THE PROJECT.

IT IS A VIOLATION OF THE NEW YORK STATE EDUCATION LAW, ARTICLE 145, FOR ANY PERSON UNLESS UNDER THE DIRECTION OF A NEW YORK STATE LICENSED PROFESSIONAL ENGINEER, TO ALTER AN ITEM ON THIS DOCUMENT IN ANY WAY.

SAT TO: _____ DATE: _____

CODE I.D. NO. _____
SCALE: AS SHOWN
SPEC. NO. _____
CONSTR. CONTR. NO. N62473-10-D-3211
NAVFAC DRAWING NO. _____
Figure 3

SHEET OF _____
DIS. SH. NO. 1-3



- NOTES:
1. THE BASIS OF DESIGN AND REMEDIAL OBJECTIVES FOR THE SVE CONTAINMENT SYSTEM CAN BE FOUND IN DETAIL IN "DESIGN ANALYSIS REPORT FOR SOIL VAPOR EXTRACTION CONTAINMENT SYSTEM" (TTNUS, APRIL 2009)
 2. FLOW MONITOR PORTS SHALL BE 1" NPT AND CONNECTED TO THE MAIN PROCESS PIPING BY USE OF T-CONNECTION. FLOW MONITOR PORTS SHALL HAVE AN AIR TIGHT NPT CAP.
 3. ALL WELL HEAD ASSEMBLIES ARE SIMILAR CONSTRUCTION. SEE DRAWING C-5 FOR INSTALLATION DETAILS.
 4. ALL UNDERGROUND PIPING SHALL SLOPE TOWARD CONDENSATE CLEANOUT PORTS. CONDENSATE CLEANOUT PORTS SHALL BE LOCATED AS IDENTIFIED ON DRAWING C-2. ADDITIONAL PORTS MAY BE NECESSARY, OR THE PROPOSED MAY REQUIRE RELOCATION AT LOW POINTS IN PIPE ROUTE. CLEANOUT PORTS SHALL HAVE AN AIR TIGHT CAP. SEE DRAWING C-5 FOR INSTALLATION DETAILS.
 5. SAMPLE PORT AND AIR BLEED PORTS SHALL BE 1" NPT AND CONNECTED TO THE MAIN PROCESS PIPING BY USE OF 1" NPT GALVANIZED PIPE NIPPLE, 1" NPT BRASS BALL VALVE, 1" NPT GALVANIZED PIPE NIPPLE, 1"x2" REDUCER BUSHING AND 10"x10"x2" T-CONNECTION. SAMPLE PORTS AND AIR BLEED PORTS SHALL HAVE AN AIR TIGHT NPT CAP.
 6. PRESSURE INDICATORS SHALL BE 1/2" NPT AND CONNECTED TO THE MAIN PROCESS PIPING BY USE OF 1/2" NPT GALVANIZED PIPE NIPPLE, 1/2" NPT BRASS BALL VALVE, 1/2" NPT GALVANIZED PIPE NIPPLE, 1"x2" REDUCER BUSHING AND 10"x10"x2" T-CONNECTION.
 7. SIGHT TUBE SHALL BE CONSTRUCTED OF 3" DIAMETER CLEAR PVC PIPE.
 8. ALL PIPING SHALL BE SCHEDULE 40 PVC, UNLESS OTHERWISE NOTED.
 9. EXHAUST STACK SHALL BE CONSTRUCTED OF 12" SCHEDULE 80 PVC AND EXTEND 5' ABOVE ROOF.
 10. INSTRUMENTS SHALL HAVE AN ADJUSTABLE RANGE BETWEEN 0-75 I.W.
 11. ABOVE GROUND PIPING THAT IS OUTSIDE SHALL BE INSULATED, INCLUDING PIPING WITHIN THE FLOW MONITORING STATION.

TETRA TECH ENGINEERING CORPORATION PC									
DESIGN BY	DATE	APPROVED	DESCRIPTION	REV	ISSUED FOR CONSTRUCTION	DATE	PREP BY	DATE	APPROVED
DAK/SM	10-14-09	SCP	ISSUED FOR CONSTRUCTION	0	ISSUED FOR CONSTRUCTION	10-14-09	DLB		
NAVAL FACILITIES ENGINEERING COMMAND, MID-ATLANTIC									
SITE 1, FORMER DRUM MARSHALLING AREA									
PROCESS FLOW DIAGRAM									
SOIL VAPOR EXTRACTION, MONITORING, AND OFF-GAS TREATMENT									
EFANE FOR COMMANDER, NAVFAC									
APPROVED									
DATE									
THIS DRAWING PRODUCED ON AUTOCAD DO NOT REVISE MANUALLY									
"THIS DOCUMENT IS THE PROPERTY OF NAVAL FACILITIES ENGINEERING COMMAND, PREPARED BY TETRA TECH ENGINEERING CORPORATION PC, AND IS PROVIDED UPON THE CONDITION THAT IT WILL NOT BE REPRODUCED, COPIED, OR ISSUED TO A THIRD PARTY, AND WILL BE USED SOLELY FOR THE ORIGINAL INTENDED PURPOSE AND SOLELY FOR THE EXECUTION OR REVIEW OF THE ENGINEERING CONSTRUCTION OF THE PROJECT."									
IT IS A VIOLATION OF THE NEW YORK STATE EDUCATION LAW, ARTICLE 145, FOR ANY PERSON, UNLESS UNDER THE DIRECTION OF A NEW YORK STATE LICENSED PROFESSIONAL ENGINEER, TO ALTER AN ITEM ON THIS DOCUMENT IN ANY WAY.									

Figure 4
SHEET OF
DIS. SH. NO.
1-4



LEGEND

- OFFSITE SOIL GAS SAMPLE LOCATION
- ONSITE SOIL GAS SAMPLE LOCATION
- ▲ SOIL VAPOR PRESSURE MONITORING POINT (SVPM)
- SVE CONTAINMENT WELL LOCATION
- FENCE LINE
- PROPERTY LINE
- △ PROPOSED SOIL VAPOR PRESSURE MONITORING POINT (SVPM)
- ⊕ SOIL VAPOR EXTRACTION WELLS

NOTES:

- FOR WELL DETAILS SEE DRAWING C-5.
- A TOTAL OF TWELVE SVE WELLS SHALL BE USED FOR VAPOR EXTRACTION. SVE-1011 AND SVE-101D ARE EXISTING AND OTHERS SHALL BE INSTALLED DURING CONSTRUCTION PHASE. THE SVE WELLS SHALL BE SCREENED AT INTERMEDIATE DEPTHS (25-30 FT) AND DEEP DEPTHS (40-60 FT). SEE DETAIL NOS. 4 AND 5 ON DRAWING NO. C-5 FOR SVE WELL DETAILS.
- A TOTAL OF NINE SOIL VAPOR PRESSURE MONITORS SHALL BE USED TO MEASURE TREATMENT SYSTEM VACUUMS. SVPM-2004I AND SVPM-2004D SHALL BE INSTALLED DURING CONSTRUCTION PHASE. SOIL VAPOR PRESSURE MONITORS SVPM-2002S, I & D, SVPM-2003S & I AND SVPM-2007I & D ARE EXISTING BUT MUST BE REDEVELOPED BY REMOVING FILLED SAND (NO. 2) AND INSTALLATION OF PERMANENT FLUSH MOUNT CASING. SEE DETAIL NOS. 6, 7 AND 8 ON DRAWING NO. C-5 FOR SVPM DETAILS.

THIS DRAWING PRODUCED ON AUTOCAD DO NOT REVISE MANUALLY

THIS DOCUMENT IS THE PROPERTY OF NAVAL FACILITIES ENGINEERING COMMAND, PREPARED BY TETRA TECH ENGINEERING CORPORATION PC, AND IS PROVIDED UPON THE CONDITION THAT IT WILL NOT BE REPRODUCED, COPIED, OR ISSUED TO A THIRD PARTY, AND WILL BE USED SOLELY FOR THE ORIGINAL INTENDED PURPOSE AND SOLELY FOR THE EXECUTION OR REVIEW OF THE ENGINEERING CONSTRUCTION OF THE PROJECT.

IT IS A VIOLATION OF THE NEW YORK STATE EDUCATION LAW, ARTICLE 145, FOR ANY PERSON UNLESS UNDER THE DIRECTION OF A NEW YORK STATE LICENSED PROFESSIONAL ENGINEER, TO ALTER AN ITEM ON THIS DOCUMENT IN ANY WAY.

DEPARTMENT OF THE NAVY NAVAL FACILITIES ENGINEERING COMMAND, MID-ATLANTIC NAVAL WEAPONS INDUSTRIAL RESERVE PLANT BETHPAGE, NEW YORK SITE 1, FORMER DRUM MARSHALLING AREA LOCATION OF SOIL VAPOR EXTRACTION WELLS AND SOIL VAPOR PRESSURE MONITORS				TITLE: DRAWING NO.: DATE:
APPROVED: [Signature]	APPROVED: [Signature]	APPROVED: [Signature]	APPROVED: [Signature]	DATE:
DESCRIPTION: LOCATION OF SOIL VAPOR EXTRACTION WELLS AND SOIL VAPOR PRESSURE MONITORS	DATE: 10-14-08	PREP BY: DLB	APPROVED: SGP	TITLE: DRAWING NO.: DATE:
REV: 0	ISSUED FOR CONSTRUCTION	DESCRIPTION: CONSTRUCTION	APPROVED:	DATE:

APPENDIX A
Laboratory Analytical Data Packageu



Certificate of Analysis

Project Name:	BETHPAGE-NY	Workorder:	9856591
Purchase Order:		Workorder ID:	EBE001 BETHPAGE Sit 1

Mr. Matt Lapp
ECOR Solutions
440 Creamery Way
Suite 150
Exton, PA 19341

July 30, 2010

Dear Mr. Lapp,

Enclosed are the analytical results for samples received by the laboratory on Friday, July 23, 2010

ALSI is a National Environmental Laboratory Accreditation Program (NELAP) accredited laboratory and as such, certifies that all applicable test results meet the requirements of NELAP.

If you have any questions regarding this certificate of analysis, please contact Tonya Hironimus (Project Coordinator) or Anna G Milliken (Laboratory Manager) at (717) 944-5541.

Please visit us at www.analyticallab.com for a listing of ALSI's NELAP accreditations and Scope of Work, as well as other links to Water Quality documentation on the internet.

This laboratory report may not be reproduced, except in full, without the written approval of ALSI.

NOTE: ALSI has changed the report generation tool and while we have tried to retain the existing format, you will notice some changes in the laboratory report. Please feel free to contact ALSI in case you have any questions.

Analytical Laboratory Services, Inc.

This page is included as part of the Analytical Report and must be retained as a permanent record thereof.


Anna G Milliken
Laboratory Manager



SAMPLE SUMMARY

Workorder: 9856591 EBE001|BETHPAGE Sit 1

Discard Date: 08/13/2010

Lab ID	Sample ID	Matrix	Date Collected	Date Received	Collected By
9856591001	SUE-TI-072210-1	Air	7/22/10 13:20	7/23/10 09:27	Customer
9856591002	SUE-TI-072210-2	Air	7/22/10 13:50	7/23/10 09:27	Customer
9856591003	SUE-TE-072210	Air	7/22/10 13:20	7/23/10 09:27	Customer

Workorder Comments:

Notes

- Samples collected by ALSI personnel are done so in accordance with the procedures set forth in the ALSI Field Sampling Plan (20 - Field Services Sampling Plan).
- All Waste Water analyses comply with methodology requirements of 40 CFR Part 136.
- All Drinking Water analyses comply with methodology requirements of 40 CFR Part 141.
- Unless otherwise noted, all quantitative results for soils are reported on a dry weight basis.
- The Chain of Custody document is included as part of this report.

Standard Acronyms/Flags

- J, B Indicates an estimated value between the Method Detection Limit (MDL) and the Practical Quantitation Limit (PQL) for the analyte
- U Indicates that the analyte was Not Detected (ND)
- MDL Method Detection Limit
- PQL Practical Quantitation Limit
- RDL Reporting Detection Limit
- ND Not Detected - indicates that the analyte was Not Detected at the RDL
- Cntr Analysis was performed using this container
- RegLmt Regulatory Limit
- LCS Laboratory Control Sample
- MS Matrix Spike
- MSD Matrix Spike Duplicate
- DUP Sample Duplicate
- %Rec Percent Recovery
- RPD Relative Percent Difference



ANALYTICAL RESULTS

Workorder: 9856591 EBE001|BETHPAGE Sit 1

Lab ID: **9856591001**
Sample ID: **SUE-TI-072210-1**

Date Collected: 7/22/2010 13:20
Date Received: 7/23/2010 09:27

Matrix: Air

Parameters	Results	Units	Footnotes	RDL	MDL	Method	Prepared By	Analyzed	By	Cntr
VOLATILE ORGANICS @ STP										
Acetone	34.4	ppbv		1.0	0.40	TO-15		7/30/10 07:31	JSS	A
Acrylonitrile	ND	ppbv		1.0	0.40	TO-15		7/30/10 07:31	JSS	A
tert-Amyl methyl ether	ND	ppbv		1.0	0.40	TO-15		7/30/10 07:31	JSS	A
Benzene	ND	ppbv		1.0	0.40	TO-15		7/30/10 07:31	JSS	A
Benzyl Chloride	ND	ppbv		1.0	0.40	TO-15		7/30/10 07:31	JSS	A
Bromodichloromethane	ND	ppbv		1.0	0.40	TO-15		7/30/10 07:31	JSS	A
Bromoform	ND	ppbv		1.0	0.40	TO-15		7/30/10 07:31	JSS	A
Bromomethane	ND	ppbv		1.0	0.40	TO-15		7/30/10 07:31	JSS	A
1,3-Butadiene	ND	ppbv		1.0	0.40	TO-15		7/30/10 07:31	JSS	A
2-Butanone	5.8	ppbv		1.0	0.40	TO-15		7/30/10 07:31	JSS	A
tert.- Butyl Alcohol	ND	ppbv		1.0	0.40	TO-15		7/30/10 07:31	JSS	A
Carbon Disulfide	ND	ppbv		1.0	0.40	TO-15		7/30/10 07:31	JSS	A
Carbon Tetrachloride	ND	ppbv		1.0	0.40	TO-15		7/30/10 07:31	JSS	A
Chlorobenzene	ND	ppbv		1.0	0.40	TO-15		7/30/10 07:31	JSS	A
Chlorodibromomethane	ND	ppbv		1.0	0.40	TO-15		7/30/10 07:31	JSS	A
Chloroethane	ND	ppbv		1.0	0.40	TO-15		7/30/10 07:31	JSS	A
Chloroform	3.0	ppbv		1.0	0.40	TO-15		7/30/10 07:31	JSS	A
Chloromethane	ND	ppbv		1.0	0.40	TO-15		7/30/10 07:31	JSS	A
3-Chloro-1-propene	ND	ppbv		1.0	0.40	TO-15		7/30/10 07:31	JSS	A
o-Chlorotoluene	ND	ppbv		1.0	0.40	TO-15		7/30/10 07:31	JSS	A
Cyclohexane	ND	ppbv		1.0	0.40	TO-15		7/30/10 07:31	JSS	A
1,2-Dibromoethane	ND	ppbv		1.0	0.40	TO-15		7/30/10 07:31	JSS	A
1,2-Dichlorobenzene	ND	ppbv		1.0	0.40	TO-15		7/30/10 07:31	JSS	A
1,3-Dichlorobenzene	ND	ppbv		1.0	0.40	TO-15		7/30/10 07:31	JSS	A
1,4-Dichlorobenzene	ND	ppbv		1.0	0.40	TO-15		7/30/10 07:31	JSS	A
Dichlorodifluoromethane	ND	ppbv		1.0	0.40	TO-15		7/30/10 07:31	JSS	A
1,1-Dichloroethane	12.8	ppbv		1.0	0.40	TO-15		7/30/10 07:31	JSS	A
1,2-Dichloroethane	ND	ppbv		1.0	0.40	TO-15		7/30/10 07:31	JSS	A
1,1-Dichloroethene	0.53J	ppbv		1.0	0.40	TO-15		7/30/10 07:31	JSS	A
cis-1,2-Dichloroethene	48.4	ppbv		20.0	8.0	TO-15		7/29/10 22:14	JSS	A
trans-1,2-Dichloroethene	0.98J	ppbv		1.0	0.40	TO-15		7/30/10 07:31	JSS	A
1,2-Dichloropropane	ND	ppbv		1.0	0.40	TO-15		7/30/10 07:31	JSS	A
cis-1,3-Dichloropropene	ND	ppbv		1.0	0.40	TO-15		7/30/10 07:31	JSS	A
trans-1,3-Dichloropropene	ND	ppbv		1.0	0.40	TO-15		7/30/10 07:31	JSS	A
1,3-Dichloropropene, Total	ND	ppbv		2.0	0.80	TO-15		7/30/10 07:31	JSS	A
Diisopropyl ether	ND	ppbv		1.0	0.40	TO-15		7/30/10 07:31	JSS	A
1,4-Dioxane	ND	ppbv		1.0	0.40	TO-15		7/30/10 07:31	JSS	A
Ethyl Acetate	ND	ppbv		1.0	0.40	TO-15		7/30/10 07:31	JSS	A
Ethyl tert-butyl ether	ND	ppbv		1.0	0.40	TO-15		7/30/10 07:31	JSS	A
Ethylbenzene	ND	ppbv		1.0	0.40	TO-15		7/30/10 07:31	JSS	A
4-Ethyltoluene	ND	ppbv		1.0	0.40	TO-15		7/30/10 07:31	JSS	A
Freon 113	16.8	ppbv		1.0	0.40	TO-15		7/30/10 07:31	JSS	A
Freon-114	ND	ppbv		1.0	0.40	TO-15		7/30/10 07:31	JSS	A
Heptane	ND	ppbv		1.0	0.40	TO-15		7/30/10 07:31	JSS	A
Hexachlorobutadiene	ND	ppbv		1.0	0.40	TO-15		7/30/10 07:31	JSS	A
Hexane	0.43J	ppbv		1.0	0.40	TO-15		7/30/10 07:31	JSS	A



ANALYTICAL RESULTS

Workorder: 9856591 EBE001|BETHPAGE Sit 1

Lab ID: **9856591001**

Date Collected: 7/22/2010 13:20

Matrix: Air

Sample ID: **SUE-TI-072210-1**

Date Received: 7/23/2010 09:27

Parameters	Results	Units	Footnotes	RDL	MDL	Method	Prepared By	Analyzed	By	Cntr
2-Hexanone	1.6	ppbv		1.0	0.40	TO-15		7/30/10 07:31	JSS	A
Isopropyl Alcohol	1.4	ppbv		1.0	0.40	TO-15		7/30/10 07:31	JSS	A
Isopropylbenzene	34.7	ppbv		1.0	0.40	TO-15		7/30/10 07:31	JSS	A
p-Isopropyltoluene	ND	ppbv		1.0	0.40	TO-15		7/30/10 07:31	JSS	A
Methyl t-Butyl Ether	ND	ppbv		1.0	0.40	TO-15		7/30/10 07:31	JSS	A
4-Methyl-2-Pentanone(MIBK)	0.61J	ppbv		1.0	0.40	TO-15		7/30/10 07:31	JSS	A
Methylene Chloride	1.2	ppbv		1.0	0.40	TO-15		7/30/10 07:31	JSS	A
Naphthalene	ND	ppbv	1,2	1.0	0.40	TO-15		7/30/10 07:31	JSS	A
iso-Octane	ND	ppbv		1.0	0.40	TO-15		7/30/10 07:31	JSS	A
n-Propylbenzene	ND	ppbv		1.0	0.40	TO-15		7/30/10 07:31	JSS	A
Propylene	0.86J	ppbv		1.0	0.40	TO-15		7/30/10 07:31	JSS	A
Styrene	ND	ppbv		1.0	0.40	TO-15		7/30/10 07:31	JSS	A
1,1,2,2-Tetrachloroethane	ND	ppbv		1.0	0.40	TO-15		7/30/10 07:31	JSS	A
Tetrachloroethene	216	ppbv		20.0	8.0	TO-15		7/29/10 22:14	JSS	A
Tetrahydrofuran	12.0	ppbv		1.0	0.40	TO-15		7/30/10 07:31	JSS	A
Toluene	0.82J	ppbv		1.0	0.40	TO-15		7/30/10 07:31	JSS	A
Total Xylenes	ND	ppbv		3.0	1.2	TO-15		7/30/10 07:31	JSS	A
1,2,4-Trichlorobenzene	ND	ppbv	3,4	1.0	0.40	TO-15		7/30/10 07:31	JSS	A
1,1,1-Trichloroethane	37.3	ppbv		20.0	8.0	TO-15		7/29/10 22:14	JSS	A
1,1,2-Trichloroethane	ND	ppbv		1.0	0.40	TO-15		7/30/10 07:31	JSS	A
Trichloroethene	144	ppbv		20.0	8.0	TO-15		7/29/10 22:14	JSS	A
Trichlorofluoromethane	0.63J	ppbv		1.0	0.40	TO-15		7/30/10 07:31	JSS	A
1,2,3-Trichloropropane	ND	ppbv		1.0	0.40	TO-15		7/30/10 07:31	JSS	A
1,2,4-Trimethylbenzene	ND	ppbv		1.0	0.40	TO-15		7/30/10 07:31	JSS	A
1,3,5-Trimethylbenzene	ND	ppbv		1.0	0.40	TO-15		7/30/10 07:31	JSS	A
1,2,3-Trimethylbenzene	ND	ppbv		1.0	0.40	TO-15		7/30/10 07:31	JSS	A
Vinyl Acetate	0.81J	ppbv		1.0	0.40	TO-15		7/30/10 07:31	JSS	A
Vinyl Bromide	ND	ppbv		1.0	0.40	TO-15		7/30/10 07:31	JSS	A
Vinyl Chloride	ND	ppbv		1.0	0.40	TO-15		7/30/10 07:31	JSS	A
o-Xylene	0.49J	ppbv		1.0	0.40	TO-15		7/30/10 07:31	JSS	A
mp-Xylene	ND	ppbv		2.0	0.80	TO-15		7/30/10 07:31	JSS	A
Acetone	81.6	ug/m3		2.4	0.96	TO-15		7/30/10 07:31	JSS	A
Acrylonitrile	ND	ug/m3		2.2	0.86	TO-15		7/30/10 07:31	JSS	A
tert-Amyl methyl ether	ND	ug/m3		4.2	1.7	TO-15		7/30/10 07:31	JSS	A
Benzene	ND	ug/m3		3.2	1.3	TO-15		7/30/10 07:31	JSS	A
Benzyl Chloride	ND	ug/m3		5.2	2.1	TO-15		7/30/10 07:31	JSS	A
Bromodichloromethane	ND	ug/m3		6.8	2.7	TO-15		7/30/10 07:31	JSS	A
Bromoform	ND	ug/m3		10.4	4.1	TO-15		7/30/10 07:31	JSS	A
Bromomethane	ND	ug/m3		3.8	1.6	TO-15		7/30/10 07:31	JSS	A
1,3-Butadiene	ND	ug/m3		2.2	0.88	TO-15		7/30/10 07:31	JSS	A
2-Butanone	17.2	ug/m3		3.0	1.2	TO-15		7/30/10 07:31	JSS	A
tert.- Butyl Alcohol	ND	ug/m3		3.0	1.2	TO-15		7/30/10 07:31	JSS	A
Carbon Disulfide	ND	ug/m3		3.2	1.2	TO-15		7/30/10 07:31	JSS	A
Carbon Tetrachloride	ND	ug/m3		6.2	2.5	TO-15		7/30/10 07:31	JSS	A
Chlorobenzene	ND	ug/m3		4.6	1.8	TO-15		7/30/10 07:31	JSS	A
Chlorodibromomethane	ND	ug/m3		8.6	3.4	TO-15		7/30/10 07:31	JSS	A



ANALYTICAL RESULTS

Workorder: 9856591 EBE001|BETHPAGE Sit 1

Lab ID: **9856591001**
Sample ID: **SUE-TI-072210-1**

Date Collected: 7/22/2010 13:20
Date Received: 7/23/2010 09:27

Matrix: Air

Parameters	Results	Units	Footnotes	RDL	MDL	Method	Prepared By	Analyzed	By	Cntr
Chloroethane	ND	ug/m3		2.6	1.1	TO-15		7/30/10 07:31	JSS	A
Chloroform	14.5	ug/m3		4.8	2.0	TO-15		7/30/10 07:31	JSS	A
Chloromethane	ND	ug/m3		2.0	0.82	TO-15		7/30/10 07:31	JSS	A
3-Chloro-1-propene	ND	ug/m3		3.2	1.3	TO-15		7/30/10 07:31	JSS	A
o-Chlorotoluene	ND	ug/m3		5.2	2.1	TO-15		7/30/10 07:31	JSS	A
Cyclohexane	ND	ug/m3		3.4	1.4	TO-15		7/30/10 07:31	JSS	A
1,2-Dibromoethane	ND	ug/m3		7.6	3.1	TO-15		7/30/10 07:31	JSS	A
1,2-Dichlorobenzene	ND	ug/m3		6.0	2.4	TO-15		7/30/10 07:31	JSS	A
1,3-Dichlorobenzene	ND	ug/m3		6.0	2.4	TO-15		7/30/10 07:31	JSS	A
1,4-Dichlorobenzene	ND	ug/m3		6.0	2.4	TO-15		7/30/10 07:31	JSS	A
Dichlorodifluoromethane	ND	ug/m3		5.0	2.0	TO-15		7/30/10 07:31	JSS	A
1,1-Dichloroethane	51.8	ug/m3		4.0	1.6	TO-15		7/30/10 07:31	JSS	A
1,2-Dichloroethane	ND	ug/m3		4.0	1.6	TO-15		7/30/10 07:31	JSS	A
1,1-Dichloroethene	2.1J	ug/m3		4.0	1.6	TO-15		7/30/10 07:31	JSS	A
cis-1,2-Dichloroethene	192	ug/m3		80.0	31.6	TO-15		7/29/10 22:14	JSS	A
trans-1,2-Dichloroethene	3.9J	ug/m3		4.0	1.6	TO-15		7/30/10 07:31	JSS	A
1,2-Dichloropropane	ND	ug/m3		4.6	1.8	TO-15		7/30/10 07:31	JSS	A
cis-1,3-Dichloropropene	ND	ug/m3		4.6	1.8	TO-15		7/30/10 07:31	JSS	A
trans-1,3-Dichloropropene	ND	ug/m3		4.6	1.8	TO-15		7/30/10 07:31	JSS	A
1,3-Dichloropropene, Total	ND	ug/m3		9.0	3.6	TO-15		7/30/10 07:31	JSS	A
Diisopropyl ether	ND	ug/m3		4.2	1.7	TO-15		7/30/10 07:31	JSS	A
1,4-Dioxane	ND	ug/m3		3.6	1.4	TO-15		7/30/10 07:31	JSS	A
Ethyl Acetate	ND	ug/m3		3.6	1.7	TO-15		7/30/10 07:31	JSS	A
Ethyl tert-butyl ether	ND	ug/m3		4.2	1.7	TO-15		7/30/10 07:31	JSS	A
Ethylbenzene	ND	ug/m3		4.4	1.7	TO-15		7/30/10 07:31	JSS	A
4-Ethyltoluene	ND	ug/m3		5.0	2.0	TO-15		7/30/10 07:31	JSS	A
Freon 113	129	ug/m3		7.6	3.1	TO-15		7/30/10 07:31	JSS	A
Freon-114	ND	ug/m3		7.0	2.8	TO-15		7/30/10 07:31	JSS	A
Heptane	ND	ug/m3		4.0	1.6	TO-15		7/30/10 07:31	JSS	A
Hexachlorobutadiene	ND	ug/m3		10.6	4.3	TO-15		7/30/10 07:31	JSS	A
Hexane	1.5J	ug/m3		3.6	1.4	TO-15		7/30/10 07:31	JSS	A
2-Hexanone	6.5	ug/m3		4.2	1.6	TO-15		7/30/10 07:31	JSS	A
Isopropyl Alcohol	3.4	ug/m3		2.4	0.98	TO-15		7/30/10 07:31	JSS	A
Isopropylbenzene	170	ug/m3		5.0	2.1	TO-15		7/30/10 07:31	JSS	A
p-Isopropyltoluene	ND	ug/m3		5.4	2.2	TO-15		7/30/10 07:31	JSS	A
Methyl t-Butyl Ether	ND	ug/m3		3.6	1.4	TO-15		7/30/10 07:31	JSS	A
4-Methyl-2-Pentanone(MIBK)	2.5J	ug/m3		4.0	1.6	TO-15		7/30/10 07:31	JSS	A
Methylene Chloride	4.0	ug/m3		3.4	1.4	TO-15		7/30/10 07:31	JSS	A
Naphthalene	ND	ug/m3		5.2	2.1	TO-15		7/30/10 07:31	JSS	A
iso-Octane	ND	ug/m3		4.6	1.9	TO-15		7/30/10 07:31	JSS	A
n-Propylbenzene	ND	ug/m3		5.0	2.0	TO-15		7/30/10 07:31	JSS	A
Propylene	1.5J	ug/m3		1.7	0.68	TO-15		7/30/10 07:31	JSS	A
Styrene	ND	ug/m3		4.2	1.7	TO-15		7/30/10 07:31	JSS	A
1,1,2,2-Tetrachloroethane	ND	ug/m3		6.8	2.7	TO-15		7/30/10 07:31	JSS	A
Tetrachloroethene	1470	ug/m3		136	54.4	TO-15		7/29/10 22:14	JSS	A
Tetrahydrofuran	35.4	ug/m3		3.0	1.2	TO-15		7/30/10 07:31	JSS	A



ANALYTICAL RESULTS

Workorder: 9856591 EBE001|BETHPAGE Sit 1

Lab ID: **9856591001**
Sample ID: **SUE-TI-072210-1**

Date Collected: 7/22/2010 13:20
Date Received: 7/23/2010 09:27

Matrix: Air

Parameters	Results	Units	Footnotes	RDL	MDL	Method	Prepared By	Analyzed	By	Cntr
Toluene	3.1J	ug/m3		3.8	1.5	TO-15		7/30/10 07:31	JSS	A
Total Xylenes	ND	ug/m3		13.0	5.2	TO-15		7/30/10 07:31	JSS	A
1,2,4-Trichlorobenzene	ND	ug/m3		7.4	3.0	TO-15		7/30/10 07:31	JSS	A
1,1,1-Trichloroethane	203	ug/m3		108	43.6	TO-15		7/29/10 22:14	JSS	A
1,1,2-Trichloroethane	ND	ug/m3		5.4	2.2	TO-15		7/30/10 07:31	JSS	A
Trichloroethene	774	ug/m3		108	42.8	TO-15		7/29/10 22:14	JSS	A
Trichlorofluoromethane	3.5J	ug/m3		5.6	2.2	TO-15		7/30/10 07:31	JSS	A
1,2,3-Trichloropropane	ND	ug/m3		6.0	2.4	TO-15		7/30/10 07:31	JSS	A
1,2,4-Trimethylbenzene	ND	ug/m3		5.0	2.0	TO-15		7/30/10 07:31	JSS	A
1,3,5-Trimethylbenzene	ND	ug/m3		5.0	2.0	TO-15		7/30/10 07:31	JSS	A
1,2,3-Trimethylbenzene	ND	ug/m3		5.0	2.0	TO-15		7/30/10 07:31	JSS	A
Vinyl Acetate	2.9J	ug/m3		3.6	1.4	TO-15		7/30/10 07:31	JSS	A
Vinyl Bromide	ND	ug/m3		4.4	1.7	TO-15		7/30/10 07:31	JSS	A
Vinyl Chloride	ND	ug/m3		2.6	1.0	TO-15		7/30/10 07:31	JSS	A
o-Xylene	2.1J	ug/m3		4.4	1.7	TO-15		7/30/10 07:31	JSS	A
mp-Xylenes	ND	ug/m3		8.6	3.5	TO-15		7/30/10 07:31	JSS	A
<i>Surrogate Recoveries</i>	<i>Results</i>	<i>Units</i>	<i>Footnotes</i>	<i>Limits</i>		<i>Method</i>	<i>Prepared By</i>	<i>Analyzed</i>	<i>By</i>	<i>Cntr</i>
4-Bromofluorobenzene (S)	94.9	%		70-130		TO-15		7/29/10 22:14	JSS	A
4-Bromofluorobenzene (S)	101	%		70-130		TO-15		7/30/10 07:31	JSS	A

Sample Comments:

Anna G Milliken
Laboratory Manager



ANALYTICAL RESULTS

Workorder: 9856591 EBE001|BETHPAGE Sit 1

Lab ID: **9856591002**
Sample ID: **SUE-TI-072210-2**

Date Collected: 7/22/2010 13:50
Date Received: 7/23/2010 09:27

Matrix: Air

Parameters	Results	Units	Footnotes	RDL	MDL	Method	Prepared By	Analyzed	By	Cntr
VOLATILE ORGANICS @ STP										
Acetone	4.0	ppbv		1.0	0.40	TO-15		7/30/10 08:16	JSS	A
Acrylonitrile	ND	ppbv		1.0	0.40	TO-15		7/30/10 08:16	JSS	A
tert-Amyl methyl ether	ND	ppbv		1.0	0.40	TO-15		7/30/10 08:16	JSS	A
Benzene	ND	ppbv		1.0	0.40	TO-15		7/30/10 08:16	JSS	A
Benzyl Chloride	ND	ppbv		1.0	0.40	TO-15		7/30/10 08:16	JSS	A
Bromodichloromethane	ND	ppbv		1.0	0.40	TO-15		7/30/10 08:16	JSS	A
Bromoform	ND	ppbv		1.0	0.40	TO-15		7/30/10 08:16	JSS	A
Bromomethane	ND	ppbv		1.0	0.40	TO-15		7/30/10 08:16	JSS	A
1,3-Butadiene	ND	ppbv		1.0	0.40	TO-15		7/30/10 08:16	JSS	A
2-Butanone	3.3	ppbv		1.0	0.40	TO-15		7/30/10 08:16	JSS	A
tert.- Butyl Alcohol	ND	ppbv		1.0	0.40	TO-15		7/30/10 08:16	JSS	A
Carbon Disulfide	ND	ppbv		1.0	0.40	TO-15		7/30/10 08:16	JSS	A
Carbon Tetrachloride	0.44J	ppbv		1.0	0.40	TO-15		7/30/10 08:16	JSS	A
Chlorobenzene	ND	ppbv		1.0	0.40	TO-15		7/30/10 08:16	JSS	A
Chlorodibromomethane	ND	ppbv		1.0	0.40	TO-15		7/30/10 08:16	JSS	A
Chloroethane	ND	ppbv		1.0	0.40	TO-15		7/30/10 08:16	JSS	A
Chloroform	3.5	ppbv		1.0	0.40	TO-15		7/30/10 08:16	JSS	A
Chloromethane	ND	ppbv		1.0	0.40	TO-15		7/30/10 08:16	JSS	A
3-Chloro-1-propene	ND	ppbv		1.0	0.40	TO-15		7/30/10 08:16	JSS	A
o-Chlorotoluene	ND	ppbv		1.0	0.40	TO-15		7/30/10 08:16	JSS	A
Cyclohexane	ND	ppbv		1.0	0.40	TO-15		7/30/10 08:16	JSS	A
1,2-Dibromoethane	ND	ppbv		1.0	0.40	TO-15		7/30/10 08:16	JSS	A
1,2-Dichlorobenzene	ND	ppbv		1.0	0.40	TO-15		7/30/10 08:16	JSS	A
1,3-Dichlorobenzene	ND	ppbv		1.0	0.40	TO-15		7/30/10 08:16	JSS	A
1,4-Dichlorobenzene	ND	ppbv		1.0	0.40	TO-15		7/30/10 08:16	JSS	A
Dichlorodifluoromethane	ND	ppbv		1.0	0.40	TO-15		7/30/10 08:16	JSS	A
1,1-Dichloroethane	14.2	ppbv		1.0	0.40	TO-15		7/30/10 08:16	JSS	A
1,2-Dichloroethane	0.44J	ppbv		1.0	0.40	TO-15		7/30/10 08:16	JSS	A
1,1-Dichloroethene	0.53J	ppbv		1.0	0.40	TO-15		7/30/10 08:16	JSS	A
cis-1,2-Dichloroethene	53.7	ppbv		20.0	8.0	TO-15		7/29/10 22:58	JSS	A
trans-1,2-Dichloroethene	1.0	ppbv		1.0	0.40	TO-15		7/30/10 08:16	JSS	A
1,2-Dichloropropane	ND	ppbv		1.0	0.40	TO-15		7/30/10 08:16	JSS	A
cis-1,3-Dichloropropene	ND	ppbv		1.0	0.40	TO-15		7/30/10 08:16	JSS	A
trans-1,3-Dichloropropene	ND	ppbv		1.0	0.40	TO-15		7/30/10 08:16	JSS	A
1,3-Dichloropropene, Total	ND	ppbv		2.0	0.80	TO-15		7/30/10 08:16	JSS	A
Diisopropyl ether	ND	ppbv		1.0	0.40	TO-15		7/30/10 08:16	JSS	A
1,4-Dioxane	ND	ppbv		1.0	0.40	TO-15		7/30/10 08:16	JSS	A
Ethyl Acetate	ND	ppbv		1.0	0.40	TO-15		7/30/10 08:16	JSS	A
Ethyl tert-butyl ether	ND	ppbv		1.0	0.40	TO-15		7/30/10 08:16	JSS	A
Ethylbenzene	ND	ppbv		1.0	0.40	TO-15		7/30/10 08:16	JSS	A
4-Ethyltoluene	ND	ppbv		1.0	0.40	TO-15		7/30/10 08:16	JSS	A
Freon 113	17.0	ppbv		1.0	0.40	TO-15		7/30/10 08:16	JSS	A
Freon-114	ND	ppbv		1.0	0.40	TO-15		7/30/10 08:16	JSS	A
Heptane	ND	ppbv		1.0	0.40	TO-15		7/30/10 08:16	JSS	A
Hexachlorobutadiene	ND	ppbv		1.0	0.40	TO-15		7/30/10 08:16	JSS	A
Hexane	ND	ppbv		1.0	0.40	TO-15		7/30/10 08:16	JSS	A



ANALYTICAL RESULTS

Workorder: 9856591 EBE001|BETHPAGE Sit 1

Lab ID: 9856591002

Date Collected: 7/22/2010 13:50

Matrix: Air

Sample ID: SUE-TI-072210-2

Date Received: 7/23/2010 09:27

Parameters	Results	Units	Footnotes	RDL	MDL	Method	Prepared	By	Analyzed	By	Cntr
2-Hexanone	ND	ppbv		1.0	0.40	TO-15			7/30/10 08:16	JSS	A
Isopropyl Alcohol	ND	ppbv		1.0	0.40	TO-15			7/30/10 08:16	JSS	A
Isopropylbenzene	0.80J	ppbv		1.0	0.40	TO-15			7/30/10 08:16	JSS	A
p-Isopropyltoluene	ND	ppbv		1.0	0.40	TO-15			7/30/10 08:16	JSS	A
Methyl t-Butyl Ether	ND	ppbv		1.0	0.40	TO-15			7/30/10 08:16	JSS	A
4-Methyl-2-Pentanone(MIBK)	0.41J	ppbv		1.0	0.40	TO-15			7/30/10 08:16	JSS	A
Methylene Chloride	0.89J	ppbv		1.0	0.40	TO-15			7/30/10 08:16	JSS	A
Naphthalene	ND	ppbv	1,2	1.0	0.40	TO-15			7/30/10 08:16	JSS	A
iso-Octane	ND	ppbv		1.0	0.40	TO-15			7/30/10 08:16	JSS	A
n-Propylbenzene	ND	ppbv		1.0	0.40	TO-15			7/30/10 08:16	JSS	A
Propylene	ND	ppbv		1.0	0.40	TO-15			7/30/10 08:16	JSS	A
Styrene	ND	ppbv		1.0	0.40	TO-15			7/30/10 08:16	JSS	A
1,1,2,2-Tetrachloroethane	ND	ppbv		1.0	0.40	TO-15			7/30/10 08:16	JSS	A
Tetrachloroethene	251	ppbv		20.0	8.0	TO-15			7/29/10 22:58	JSS	A
Tetrahydrofuran	12.3	ppbv		1.0	0.40	TO-15			7/30/10 08:16	JSS	A
Toluene	0.75J	ppbv		1.0	0.40	TO-15			7/30/10 08:16	JSS	A
Total Xylenes	ND	ppbv		3.0	1.2	TO-15			7/30/10 08:16	JSS	A
1,2,4-Trichlorobenzene	ND	ppbv	3,4	1.0	0.40	TO-15			7/30/10 08:16	JSS	A
1,1,1-Trichloroethane	42.4	ppbv		20.0	8.0	TO-15			7/29/10 22:58	JSS	A
1,1,2-Trichloroethane	0.46J	ppbv		1.0	0.40	TO-15			7/30/10 08:16	JSS	A
Trichloroethene	164	ppbv		20.0	8.0	TO-15			7/29/10 22:58	JSS	A
Trichlorofluoromethane	0.49J	ppbv		1.0	0.40	TO-15			7/30/10 08:16	JSS	A
1,2,3-Trichloropropane	ND	ppbv		1.0	0.40	TO-15			7/30/10 08:16	JSS	A
1,2,4-Trimethylbenzene	ND	ppbv		1.0	0.40	TO-15			7/30/10 08:16	JSS	A
1,3,5-Trimethylbenzene	ND	ppbv		1.0	0.40	TO-15			7/30/10 08:16	JSS	A
1,2,3-Trimethylbenzene	ND	ppbv		1.0	0.40	TO-15			7/30/10 08:16	JSS	A
Vinyl Acetate	ND	ppbv		1.0	0.40	TO-15			7/30/10 08:16	JSS	A
Vinyl Bromide	ND	ppbv		1.0	0.40	TO-15			7/30/10 08:16	JSS	A
Vinyl Chloride	ND	ppbv		1.0	0.40	TO-15			7/30/10 08:16	JSS	A
o-Xylene	0.45J	ppbv		1.0	0.40	TO-15			7/30/10 08:16	JSS	A
mp-Xylene	ND	ppbv		2.0	0.80	TO-15			7/30/10 08:16	JSS	A
Acetone	9.4	ug/m3		2.4	0.96	TO-15			7/30/10 08:16	JSS	A
Acrylonitrile	ND	ug/m3		2.2	0.86	TO-15			7/30/10 08:16	JSS	A
tert-Amyl methyl ether	ND	ug/m3		4.2	1.7	TO-15			7/30/10 08:16	JSS	A
Benzene	ND	ug/m3		3.2	1.3	TO-15			7/30/10 08:16	JSS	A
Benzyl Chloride	ND	ug/m3		5.2	2.1	TO-15			7/30/10 08:16	JSS	A
Bromodichloromethane	ND	ug/m3		6.8	2.7	TO-15			7/30/10 08:16	JSS	A
Bromoform	ND	ug/m3		10.4	4.1	TO-15			7/30/10 08:16	JSS	A
Bromomethane	ND	ug/m3		3.8	1.6	TO-15			7/30/10 08:16	JSS	A
1,3-Butadiene	ND	ug/m3		2.2	0.88	TO-15			7/30/10 08:16	JSS	A
2-Butanone	9.7	ug/m3		3.0	1.2	TO-15			7/30/10 08:16	JSS	A
tert.- Butyl Alcohol	ND	ug/m3		3.0	1.2	TO-15			7/30/10 08:16	JSS	A
Carbon Disulfide	ND	ug/m3		3.2	1.2	TO-15			7/30/10 08:16	JSS	A
Carbon Tetrachloride	2.7J	ug/m3		6.2	2.5	TO-15			7/30/10 08:16	JSS	A
Chlorobenzene	ND	ug/m3		4.6	1.8	TO-15			7/30/10 08:16	JSS	A
Chlorodibromomethane	ND	ug/m3		8.6	3.4	TO-15			7/30/10 08:16	JSS	A



ANALYTICAL RESULTS

Workorder: 9856591 EBE001|BETHPAGE Sit 1

Lab ID: **9856591002**

Date Collected: 7/22/2010 13:50

Matrix: Air

Sample ID: **SUE-TI-072210-2**

Date Received: 7/23/2010 09:27

Parameters	Results	Units	Footnotes	RDL	MDL	Method	Prepared	By	Analyzed	By	Cntr
Chloroethane	ND	ug/m3		2.6	1.1	TO-15			7/30/10 08:16	JSS	A
Chloroform	16.9	ug/m3		4.8	2.0	TO-15			7/30/10 08:16	JSS	A
Chloromethane	ND	ug/m3		2.0	0.82	TO-15			7/30/10 08:16	JSS	A
3-Chloro-1-propene	ND	ug/m3		3.2	1.3	TO-15			7/30/10 08:16	JSS	A
o-Chlorotoluene	ND	ug/m3		5.2	2.1	TO-15			7/30/10 08:16	JSS	A
Cyclohexane	ND	ug/m3		3.4	1.4	TO-15			7/30/10 08:16	JSS	A
1,2-Dibromoethane	ND	ug/m3		7.6	3.1	TO-15			7/30/10 08:16	JSS	A
1,2-Dichlorobenzene	ND	ug/m3		6.0	2.4	TO-15			7/30/10 08:16	JSS	A
1,3-Dichlorobenzene	ND	ug/m3		6.0	2.4	TO-15			7/30/10 08:16	JSS	A
1,4-Dichlorobenzene	ND	ug/m3		6.0	2.4	TO-15			7/30/10 08:16	JSS	A
Dichlorodifluoromethane	ND	ug/m3		5.0	2.0	TO-15			7/30/10 08:16	JSS	A
1,1-Dichloroethane	57.4	ug/m3		4.0	1.6	TO-15			7/30/10 08:16	JSS	A
1,2-Dichloroethane	1.8J	ug/m3		4.0	1.6	TO-15			7/30/10 08:16	JSS	A
1,1-Dichloroethene	2.1J	ug/m3		4.0	1.6	TO-15			7/30/10 08:16	JSS	A
cis-1,2-Dichloroethene	213	ug/m3		80.0	31.6	TO-15			7/29/10 22:58	JSS	A
trans-1,2-Dichloroethene	4.1	ug/m3		4.0	1.6	TO-15			7/30/10 08:16	JSS	A
1,2-Dichloropropane	ND	ug/m3		4.6	1.8	TO-15			7/30/10 08:16	JSS	A
cis-1,3-Dichloropropene	ND	ug/m3		4.6	1.8	TO-15			7/30/10 08:16	JSS	A
trans-1,3-Dichloropropene	ND	ug/m3		4.6	1.8	TO-15			7/30/10 08:16	JSS	A
1,3-Dichloropropene, Total	ND	ug/m3		9.0	3.6	TO-15			7/30/10 08:16	JSS	A
Diisopropyl ether	ND	ug/m3		4.2	1.7	TO-15			7/30/10 08:16	JSS	A
1,4-Dioxane	ND	ug/m3		3.6	1.4	TO-15			7/30/10 08:16	JSS	A
Ethyl Acetate	ND	ug/m3		3.6	1.7	TO-15			7/30/10 08:16	JSS	A
Ethyl tert-butyl ether	ND	ug/m3		4.2	1.7	TO-15			7/30/10 08:16	JSS	A
Ethylbenzene	ND	ug/m3		4.4	1.7	TO-15			7/30/10 08:16	JSS	A
4-Ethyltoluene	ND	ug/m3		5.0	2.0	TO-15			7/30/10 08:16	JSS	A
Freon 113	130	ug/m3		7.6	3.1	TO-15			7/30/10 08:16	JSS	A
Freon-114	ND	ug/m3		7.0	2.8	TO-15			7/30/10 08:16	JSS	A
Heptane	ND	ug/m3		4.0	1.6	TO-15			7/30/10 08:16	JSS	A
Hexachlorobutadiene	ND	ug/m3		10.6	4.3	TO-15			7/30/10 08:16	JSS	A
Hexane	ND	ug/m3		3.6	1.4	TO-15			7/30/10 08:16	JSS	A
2-Hexanone	ND	ug/m3		4.2	1.6	TO-15			7/30/10 08:16	JSS	A
Isopropyl Alcohol	ND	ug/m3		2.4	0.98	TO-15			7/30/10 08:16	JSS	A
Isopropylbenzene	3.9J	ug/m3		5.0	2.1	TO-15			7/30/10 08:16	JSS	A
p-Isopropyltoluene	ND	ug/m3		5.4	2.2	TO-15			7/30/10 08:16	JSS	A
Methyl t-Butyl Ether	ND	ug/m3		3.6	1.4	TO-15			7/30/10 08:16	JSS	A
4-Methyl-2-Pentanone(MIBK)	1.7J	ug/m3		4.0	1.6	TO-15			7/30/10 08:16	JSS	A
Methylene Chloride	3.1J	ug/m3		3.4	1.4	TO-15			7/30/10 08:16	JSS	A
Naphthalene	ND	ug/m3		5.2	2.1	TO-15			7/30/10 08:16	JSS	A
iso-Octane	ND	ug/m3		4.6	1.9	TO-15			7/30/10 08:16	JSS	A
n-Propylbenzene	ND	ug/m3		5.0	2.0	TO-15			7/30/10 08:16	JSS	A
Propylene	ND	ug/m3		1.7	0.68	TO-15			7/30/10 08:16	JSS	A
Styrene	ND	ug/m3		4.2	1.7	TO-15			7/30/10 08:16	JSS	A
1,1,2,2-Tetrachloroethane	ND	ug/m3		6.8	2.7	TO-15			7/30/10 08:16	JSS	A
Tetrachloroethene	1710	ug/m3		136	54.4	TO-15			7/29/10 22:58	JSS	A
Tetrahydrofuran	36.4	ug/m3		3.0	1.2	TO-15			7/30/10 08:16	JSS	A



ANALYTICAL RESULTS

Workorder: 9856591 EBE001|BETHPAGE Sit 1

Lab ID: **9856591002**
Sample ID: **SUE-TI-072210-2**

Date Collected: 7/22/2010 13:50
Date Received: 7/23/2010 09:27

Matrix: Air

Parameters	Results	Units	Footnotes	RDL	MDL	Method	Prepared By	Analyzed	By	Cntr
Toluene	2.8J	ug/m3		3.8	1.5	TO-15		7/30/10 08:16	JSS	A
Total Xylenes	ND	ug/m3		13.0	5.2	TO-15		7/30/10 08:16	JSS	A
1,2,4-Trichlorobenzene	ND	ug/m3		7.4	3.0	TO-15		7/30/10 08:16	JSS	A
1,1,1-Trichloroethane	231	ug/m3		108	43.6	TO-15		7/29/10 22:58	JSS	A
1,1,2-Trichloroethane	2.5J	ug/m3		5.4	2.2	TO-15		7/30/10 08:16	JSS	A
Trichloroethene	883	ug/m3		108	42.8	TO-15		7/29/10 22:58	JSS	A
Trichlorofluoromethane	2.8J	ug/m3		5.6	2.2	TO-15		7/30/10 08:16	JSS	A
1,2,3-Trichloropropane	ND	ug/m3		6.0	2.4	TO-15		7/30/10 08:16	JSS	A
1,2,4-Trimethylbenzene	ND	ug/m3		5.0	2.0	TO-15		7/30/10 08:16	JSS	A
1,3,5-Trimethylbenzene	ND	ug/m3		5.0	2.0	TO-15		7/30/10 08:16	JSS	A
1,2,3-Trimethylbenzene	ND	ug/m3		5.0	2.0	TO-15		7/30/10 08:16	JSS	A
Vinyl Acetate	ND	ug/m3		3.6	1.4	TO-15		7/30/10 08:16	JSS	A
Vinyl Bromide	ND	ug/m3		4.4	1.7	TO-15		7/30/10 08:16	JSS	A
Vinyl Chloride	ND	ug/m3		2.6	1.0	TO-15		7/30/10 08:16	JSS	A
o-Xylene	2.0J	ug/m3		4.4	1.7	TO-15		7/30/10 08:16	JSS	A
mp-Xylenes	ND	ug/m3		8.6	3.5	TO-15		7/30/10 08:16	JSS	A
<i>Surrogate Recoveries</i>	<i>Results</i>	<i>Units</i>	<i>Footnotes</i>	<i>Limits</i>		<i>Method</i>	<i>Prepared By</i>	<i>Analyzed</i>	<i>By</i>	<i>Cntr</i>
4-Bromofluorobenzene (S)	93.3	%		70-130		TO-15		7/29/10 22:58	JSS	A
4-Bromofluorobenzene (S)	93.5	%		70-130		TO-15		7/30/10 08:16	JSS	A

Sample Comments:

Anna G Milliken
Laboratory Manager



ANALYTICAL RESULTS

Workorder: 9856591 EBE001|BETHPAGE Sit 1

Lab ID: **9856591003**
Sample ID: **SUE-TE-072210**

Date Collected: 7/22/2010 13:20
Date Received: 7/23/2010 09:27

Matrix: Air

Parameters	Results	Units	Footnotes	RDL	MDL	Method	Prepared By	Analyzed	By	Cntr
VOLATILE ORGANICS @ STP										
Acetone	20.9	ppbv		1.0	0.40	TO-15		7/30/10 09:00	JSS	A
Acrylonitrile	ND	ppbv		1.0	0.40	TO-15		7/30/10 09:00	JSS	A
tert-Amyl methyl ether	ND	ppbv		1.0	0.40	TO-15		7/30/10 09:00	JSS	A
Benzene	ND	ppbv		1.0	0.40	TO-15		7/30/10 09:00	JSS	A
Benzyl Chloride	ND	ppbv		1.0	0.40	TO-15		7/30/10 09:00	JSS	A
Bromodichloromethane	ND	ppbv		1.0	0.40	TO-15		7/30/10 09:00	JSS	A
Bromoform	ND	ppbv		1.0	0.40	TO-15		7/30/10 09:00	JSS	A
Bromomethane	ND	ppbv		1.0	0.40	TO-15		7/30/10 09:00	JSS	A
1,3-Butadiene	ND	ppbv		1.0	0.40	TO-15		7/30/10 09:00	JSS	A
2-Butanone	2.2	ppbv		1.0	0.40	TO-15		7/30/10 09:00	JSS	A
tert.- Butyl Alcohol	ND	ppbv		1.0	0.40	TO-15		7/30/10 09:00	JSS	A
Carbon Disulfide	ND	ppbv		1.0	0.40	TO-15		7/30/10 09:00	JSS	A
Carbon Tetrachloride	ND	ppbv		1.0	0.40	TO-15		7/30/10 09:00	JSS	A
Chlorobenzene	ND	ppbv		1.0	0.40	TO-15		7/30/10 09:00	JSS	A
Chlorodibromomethane	ND	ppbv		1.0	0.40	TO-15		7/30/10 09:00	JSS	A
Chloroethane	ND	ppbv		1.0	0.40	TO-15		7/30/10 09:00	JSS	A
Chloroform	ND	ppbv		1.0	0.40	TO-15		7/30/10 09:00	JSS	A
Chloromethane	ND	ppbv		1.0	0.40	TO-15		7/30/10 09:00	JSS	A
3-Chloro-1-propene	ND	ppbv		1.0	0.40	TO-15		7/30/10 09:00	JSS	A
o-Chlorotoluene	ND	ppbv		1.0	0.40	TO-15		7/30/10 09:00	JSS	A
Cyclohexane	ND	ppbv		1.0	0.40	TO-15		7/30/10 09:00	JSS	A
1,2-Dibromoethane	ND	ppbv		1.0	0.40	TO-15		7/30/10 09:00	JSS	A
1,2-Dichlorobenzene	ND	ppbv		1.0	0.40	TO-15		7/30/10 09:00	JSS	A
1,3-Dichlorobenzene	ND	ppbv		1.0	0.40	TO-15		7/30/10 09:00	JSS	A
1,4-Dichlorobenzene	ND	ppbv		1.0	0.40	TO-15		7/30/10 09:00	JSS	A
Dichlorodifluoromethane	0.53J	ppbv		1.0	0.40	TO-15		7/30/10 09:00	JSS	A
1,1-Dichloroethane	0.83J	ppbv		1.0	0.40	TO-15		7/30/10 09:00	JSS	A
1,2-Dichloroethane	ND	ppbv		1.0	0.40	TO-15		7/30/10 09:00	JSS	A
1,1-Dichloroethene	0.80J	ppbv		1.0	0.40	TO-15		7/30/10 09:00	JSS	A
cis-1,2-Dichloroethene	0.68J	ppbv		1.0	0.40	TO-15		7/30/10 09:00	JSS	A
trans-1,2-Dichloroethene	ND	ppbv		1.0	0.40	TO-15		7/30/10 09:00	JSS	A
1,2-Dichloropropane	ND	ppbv		1.0	0.40	TO-15		7/30/10 09:00	JSS	A
cis-1,3-Dichloropropene	ND	ppbv		1.0	0.40	TO-15		7/30/10 09:00	JSS	A
trans-1,3-Dichloropropene	ND	ppbv		1.0	0.40	TO-15		7/30/10 09:00	JSS	A
1,3-Dichloropropene, Total	ND	ppbv		2.0	0.80	TO-15		7/30/10 09:00	JSS	A
Diisopropyl ether	ND	ppbv		1.0	0.40	TO-15		7/30/10 09:00	JSS	A
1,4-Dioxane	ND	ppbv		1.0	0.40	TO-15		7/30/10 09:00	JSS	A
Ethyl Acetate	ND	ppbv		1.0	0.40	TO-15		7/30/10 09:00	JSS	A
Ethyl tert-butyl ether	ND	ppbv		1.0	0.40	TO-15		7/30/10 09:00	JSS	A
Ethylbenzene	ND	ppbv		1.0	0.40	TO-15		7/30/10 09:00	JSS	A
4-Ethyltoluene	ND	ppbv		1.0	0.40	TO-15		7/30/10 09:00	JSS	A
Freon 113	ND	ppbv		1.0	0.40	TO-15		7/30/10 09:00	JSS	A
Freon-114	ND	ppbv		1.0	0.40	TO-15		7/30/10 09:00	JSS	A
Heptane	ND	ppbv		1.0	0.40	TO-15		7/30/10 09:00	JSS	A
Hexachlorobutadiene	ND	ppbv		1.0	0.40	TO-15		7/30/10 09:00	JSS	A
Hexane	1.2	ppbv		1.0	0.40	TO-15		7/30/10 09:00	JSS	A



ANALYTICAL RESULTS

Workorder: 9856591 EBE001|BETHPAGE Sit 1

Lab ID: **9856591003**
Sample ID: **SUE-TE-072210**

Date Collected: 7/22/2010 13:20
Date Received: 7/23/2010 09:27

Matrix: Air

Parameters	Results	Units	Footnotes	RDL	MDL	Method	Prepared	By	Analyzed	By	Cntr
2-Hexanone	ND	ppbv		1.0	0.40	TO-15			7/30/10 09:00	JSS	A
Isopropyl Alcohol	1.9	ppbv		1.0	0.40	TO-15			7/30/10 09:00	JSS	A
Isopropylbenzene	12.3	ppbv		1.0	0.40	TO-15			7/30/10 09:00	JSS	A
p-Isopropyltoluene	ND	ppbv		1.0	0.40	TO-15			7/30/10 09:00	JSS	A
Methyl t-Butyl Ether	0.53J	ppbv		1.0	0.40	TO-15			7/30/10 09:00	JSS	A
4-Methyl-2-Pentanone(MIBK)	ND	ppbv		1.0	0.40	TO-15			7/30/10 09:00	JSS	A
Methylene Chloride	10.6	ppbv		1.0	0.40	TO-15			7/30/10 09:00	JSS	A
Naphthalene	ND	ppbv	1,2	1.0	0.40	TO-15			7/30/10 09:00	JSS	A
iso-Octane	ND	ppbv		1.0	0.40	TO-15			7/30/10 09:00	JSS	A
n-Propylbenzene	ND	ppbv		1.0	0.40	TO-15			7/30/10 09:00	JSS	A
Propylene	ND	ppbv		1.0	0.40	TO-15			7/30/10 09:00	JSS	A
Styrene	ND	ppbv		1.0	0.40	TO-15			7/30/10 09:00	JSS	A
1,1,2,2-Tetrachloroethane	ND	ppbv		1.0	0.40	TO-15			7/30/10 09:00	JSS	A
Tetrachloroethene	0.53J	ppbv		1.0	0.40	TO-15			7/30/10 09:00	JSS	A
Tetrahydrofuran	0.55J	ppbv		1.0	0.40	TO-15			7/30/10 09:00	JSS	A
Toluene	0.57J	ppbv		1.0	0.40	TO-15			7/30/10 09:00	JSS	A
Total Xylenes	ND	ppbv		3.0	1.2	TO-15			7/30/10 09:00	JSS	A
1,2,4-Trichlorobenzene	ND	ppbv	3,4	1.0	0.40	TO-15			7/30/10 09:00	JSS	A
1,1,1-Trichloroethane	ND	ppbv		1.0	0.40	TO-15			7/30/10 09:00	JSS	A
1,1,2-Trichloroethane	ND	ppbv		1.0	0.40	TO-15			7/30/10 09:00	JSS	A
Trichloroethene	ND	ppbv		1.0	0.40	TO-15			7/30/10 09:00	JSS	A
Trichlorofluoromethane	0.65J	ppbv		1.0	0.40	TO-15			7/30/10 09:00	JSS	A
1,2,3-Trichloropropane	ND	ppbv		1.0	0.40	TO-15			7/30/10 09:00	JSS	A
1,2,4-Trimethylbenzene	ND	ppbv		1.0	0.40	TO-15			7/30/10 09:00	JSS	A
1,3,5-Trimethylbenzene	ND	ppbv		1.0	0.40	TO-15			7/30/10 09:00	JSS	A
1,2,3-Trimethylbenzene	ND	ppbv		1.0	0.40	TO-15			7/30/10 09:00	JSS	A
Vinyl Acetate	ND	ppbv		1.0	0.40	TO-15			7/30/10 09:00	JSS	A
Vinyl Bromide	ND	ppbv		1.0	0.40	TO-15			7/30/10 09:00	JSS	A
Vinyl Chloride	ND	ppbv		1.0	0.40	TO-15			7/30/10 09:00	JSS	A
o-Xylene	ND	ppbv		1.0	0.40	TO-15			7/30/10 09:00	JSS	A
mp-Xylene	ND	ppbv		2.0	0.80	TO-15			7/30/10 09:00	JSS	A
Acetone	49.5	ug/m3		2.4	0.96	TO-15			7/30/10 09:00	JSS	A
Acrylonitrile	ND	ug/m3		2.2	0.86	TO-15			7/30/10 09:00	JSS	A
tert-Amyl methyl ether	ND	ug/m3		4.2	1.7	TO-15			7/30/10 09:00	JSS	A
Benzene	ND	ug/m3		3.2	1.3	TO-15			7/30/10 09:00	JSS	A
Benzyl Chloride	ND	ug/m3		5.2	2.1	TO-15			7/30/10 09:00	JSS	A
Bromodichloromethane	ND	ug/m3		6.8	2.7	TO-15			7/30/10 09:00	JSS	A
Bromoform	ND	ug/m3		10.4	4.1	TO-15			7/30/10 09:00	JSS	A
Bromomethane	ND	ug/m3		3.8	1.6	TO-15			7/30/10 09:00	JSS	A
1,3-Butadiene	ND	ug/m3		2.2	0.88	TO-15			7/30/10 09:00	JSS	A
2-Butanone	6.5	ug/m3		3.0	1.2	TO-15			7/30/10 09:00	JSS	A
tert.- Butyl Alcohol	ND	ug/m3		3.0	1.2	TO-15			7/30/10 09:00	JSS	A
Carbon Disulfide	ND	ug/m3		3.2	1.2	TO-15			7/30/10 09:00	JSS	A
Carbon Tetrachloride	ND	ug/m3		6.2	2.5	TO-15			7/30/10 09:00	JSS	A
Chlorobenzene	ND	ug/m3		4.6	1.8	TO-15			7/30/10 09:00	JSS	A
Chlorodibromomethane	ND	ug/m3		8.6	3.4	TO-15			7/30/10 09:00	JSS	A



ANALYTICAL RESULTS

Workorder: 9856591 EBE001|BETHPAGE Sit 1

Lab ID: **9856591003**
Sample ID: **SUE-TE-072210**

Date Collected: 7/22/2010 13:20
Date Received: 7/23/2010 09:27

Matrix: Air

Parameters	Results	Units	Footnotes	RDL	MDL	Method	Prepared	By	Analyzed	By	Cntr
Chloroethane	ND	ug/m3		2.6	1.1	TO-15			7/30/10 09:00	JSS	A
Chloroform	ND	ug/m3		4.8	2.0	TO-15			7/30/10 09:00	JSS	A
Chloromethane	ND	ug/m3		2.0	0.82	TO-15			7/30/10 09:00	JSS	A
3-Chloro-1-propene	ND	ug/m3		3.2	1.3	TO-15			7/30/10 09:00	JSS	A
o-Chlorotoluene	ND	ug/m3		5.2	2.1	TO-15			7/30/10 09:00	JSS	A
Cyclohexane	ND	ug/m3		3.4	1.4	TO-15			7/30/10 09:00	JSS	A
1,2-Dibromoethane	ND	ug/m3		7.6	3.1	TO-15			7/30/10 09:00	JSS	A
1,2-Dichlorobenzene	ND	ug/m3		6.0	2.4	TO-15			7/30/10 09:00	JSS	A
1,3-Dichlorobenzene	ND	ug/m3		6.0	2.4	TO-15			7/30/10 09:00	JSS	A
1,4-Dichlorobenzene	ND	ug/m3		6.0	2.4	TO-15			7/30/10 09:00	JSS	A
Dichlorodifluoromethane	2.6J	ug/m3		5.0	2.0	TO-15			7/30/10 09:00	JSS	A
1,1-Dichloroethane	3.3J	ug/m3		4.0	1.6	TO-15			7/30/10 09:00	JSS	A
1,2-Dichloroethane	ND	ug/m3		4.0	1.6	TO-15			7/30/10 09:00	JSS	A
1,1-Dichloroethene	3.2J	ug/m3		4.0	1.6	TO-15			7/30/10 09:00	JSS	A
cis-1,2-Dichloroethene	2.7J	ug/m3		4.0	1.6	TO-15			7/30/10 09:00	JSS	A
trans-1,2-Dichloroethene	ND	ug/m3		4.0	1.6	TO-15			7/30/10 09:00	JSS	A
1,2-Dichloropropane	ND	ug/m3		4.6	1.8	TO-15			7/30/10 09:00	JSS	A
cis-1,3-Dichloropropene	ND	ug/m3		4.6	1.8	TO-15			7/30/10 09:00	JSS	A
trans-1,3-Dichloropropene	ND	ug/m3		4.6	1.8	TO-15			7/30/10 09:00	JSS	A
1,3-Dichloropropene, Total	ND	ug/m3		9.0	3.6	TO-15			7/30/10 09:00	JSS	A
Diisopropyl ether	ND	ug/m3		4.2	1.7	TO-15			7/30/10 09:00	JSS	A
1,4-Dioxane	ND	ug/m3		3.6	1.4	TO-15			7/30/10 09:00	JSS	A
Ethyl Acetate	ND	ug/m3		3.6	1.7	TO-15			7/30/10 09:00	JSS	A
Ethyl tert-butyl ether	ND	ug/m3		4.2	1.7	TO-15			7/30/10 09:00	JSS	A
Ethylbenzene	ND	ug/m3		4.4	1.7	TO-15			7/30/10 09:00	JSS	A
4-Ethyltoluene	ND	ug/m3		5.0	2.0	TO-15			7/30/10 09:00	JSS	A
Freon 113	ND	ug/m3		7.6	3.1	TO-15			7/30/10 09:00	JSS	A
Freon-114	ND	ug/m3		7.0	2.8	TO-15			7/30/10 09:00	JSS	A
Heptane	ND	ug/m3		4.0	1.6	TO-15			7/30/10 09:00	JSS	A
Hexachlorobutadiene	ND	ug/m3		10.6	4.3	TO-15			7/30/10 09:00	JSS	A
Hexane	4.4	ug/m3		3.6	1.4	TO-15			7/30/10 09:00	JSS	A
2-Hexanone	ND	ug/m3		4.2	1.6	TO-15			7/30/10 09:00	JSS	A
Isopropyl Alcohol	4.6	ug/m3		2.4	0.98	TO-15			7/30/10 09:00	JSS	A
Isopropylbenzene	60.6	ug/m3		5.0	2.1	TO-15			7/30/10 09:00	JSS	A
p-Isopropyltoluene	ND	ug/m3		5.4	2.2	TO-15			7/30/10 09:00	JSS	A
Methyl t-Butyl Ether	1.9J	ug/m3		3.6	1.4	TO-15			7/30/10 09:00	JSS	A
4-Methyl-2-Pentanone(MIBK)	ND	ug/m3		4.0	1.6	TO-15			7/30/10 09:00	JSS	A
Methylene Chloride	36.8	ug/m3		3.4	1.4	TO-15			7/30/10 09:00	JSS	A
Naphthalene	ND	ug/m3		5.2	2.1	TO-15			7/30/10 09:00	JSS	A
iso-Octane	ND	ug/m3		4.6	1.9	TO-15			7/30/10 09:00	JSS	A
n-Propylbenzene	ND	ug/m3		5.0	2.0	TO-15			7/30/10 09:00	JSS	A
Propylene	ND	ug/m3		1.7	0.68	TO-15			7/30/10 09:00	JSS	A
Styrene	ND	ug/m3		4.2	1.7	TO-15			7/30/10 09:00	JSS	A
1,1,2,2-Tetrachloroethane	ND	ug/m3		6.8	2.7	TO-15			7/30/10 09:00	JSS	A
Tetrachloroethene	3.6J	ug/m3		6.8	2.7	TO-15			7/30/10 09:00	JSS	A
Tetrahydrofuran	1.6J	ug/m3		3.0	1.2	TO-15			7/30/10 09:00	JSS	A



ANALYTICAL RESULTS

Workorder: 9856591 EBE001|BETHPAGE Sit 1

Lab ID: **9856591003**
Sample ID: **SUE-TE-072210**

Date Collected: 7/22/2010 13:20
Date Received: 7/23/2010 09:27

Matrix: Air

Parameters	Results	Units	Footnotes	RDL	MDL	Method	Prepared By	Analyzed	By	Cntr
Toluene	2.2J	ug/m3		3.8	1.5	TO-15		7/30/10 09:00	JSS	A
Total Xylenes	ND	ug/m3		13.0	5.2	TO-15		7/30/10 09:00	JSS	A
1,2,4-Trichlorobenzene	ND	ug/m3		7.4	3.0	TO-15		7/30/10 09:00	JSS	A
1,1,1-Trichloroethane	ND	ug/m3		5.4	2.2	TO-15		7/30/10 09:00	JSS	A
1,1,2-Trichloroethane	ND	ug/m3		5.4	2.2	TO-15		7/30/10 09:00	JSS	A
Trichloroethene	ND	ug/m3		5.4	2.1	TO-15		7/30/10 09:00	JSS	A
Trichlorofluoromethane	3.6J	ug/m3		5.6	2.2	TO-15		7/30/10 09:00	JSS	A
1,2,3-Trichloropropane	ND	ug/m3		6.0	2.4	TO-15		7/30/10 09:00	JSS	A
1,2,4-Trimethylbenzene	ND	ug/m3		5.0	2.0	TO-15		7/30/10 09:00	JSS	A
1,3,5-Trimethylbenzene	ND	ug/m3		5.0	2.0	TO-15		7/30/10 09:00	JSS	A
1,2,3-Trimethylbenzene	ND	ug/m3		5.0	2.0	TO-15		7/30/10 09:00	JSS	A
Vinyl Acetate	ND	ug/m3		3.6	1.4	TO-15		7/30/10 09:00	JSS	A
Vinyl Bromide	ND	ug/m3		4.4	1.7	TO-15		7/30/10 09:00	JSS	A
Vinyl Chloride	ND	ug/m3		2.6	1.0	TO-15		7/30/10 09:00	JSS	A
o-Xylene	ND	ug/m3		4.4	1.7	TO-15		7/30/10 09:00	JSS	A
mp-Xylenes	ND	ug/m3		8.6	3.5	TO-15		7/30/10 09:00	JSS	A
<i>Surrogate Recoveries</i>	<i>Results</i>	<i>Units</i>	<i>Footnotes</i>	<i>Limits</i>		<i>Method</i>	<i>Prepared By</i>	<i>Analyzed</i>	<i>By</i>	<i>Cntr</i>
4-Bromofluorobenzene (S)	92	%		70-130		TO-15		7/30/10 09:00	JSS	A

Sample Comments:


Anna G Milliken
Laboratory Manager



ANALYTICAL RESULTS QUALIFIERS/FLAGS

Workorder: 9856591 EBE001|BETHPAGE Sit 1

PARAMETER QUALIFIERS/FLAGS

- [1] The QC sample type LCS for method TO-15 was outside the control limits for the analyte Naphthalene. The % Recovery was reported as 45 and the control limits were 70 to 130.
- [2] The QC sample type LCSD for method TO-15 was outside the control limits for the analyte Naphthalene. The % Recovery was reported as 48.5 and the control limits were 70 to 130.
- [3] The QC sample type LCS for method TO-15 was outside the control limits for the analyte 1,2,4-Trichlorobenzene. The % Recovery was reported as 53.4 and the control limits were 70 to 130.
- [4] The QC sample type LCSD for method TO-15 was outside the control limits for the analyte 1,2,4-Trichlorobenzene. The % Recovery was reported as 58.9 and the control limits were 70 to 130.



Analytical Laboratory Services, Inc.
Environmental • Industrial Hygiene • Field Services

34 Dogwood Lane • Middletown, PA 17057 • 717.944.5541 • Fax 717.944.1430

AIR ANALYSIS CHAIN-OF-CUSTODY/REQUEST FOR ANALYSIS

ALL SHADED AREAS MUST BE COMPLETED BY THE CLIENT / SAMPLER.
INSTRUCTIONS ON THE BACK.

COC #:

ALSI Qu



1. CLIENT INFORMATION		2. ANALYSES/METHOD REQUESTED										3. FIELD DATA SHEET				
Client Name/Address: <u>ECOR SOLUTIONS</u>		APPROPRIATE TEST CODE/ANALYTE LIST. No.	TO-15 Analytic	STD LIST	UST LIST	OTHER	TO-15 Analytic	STD LIST	OTHER	COMMENTS			Receipt information for TO-15 only: (completed by Receiving Lab)			
Contact: <u>MATT LAPP</u>	1		<input checked="" type="checkbox"/>							<u>Select VOC's</u>			Cooler Temp: <u>N/A</u>	Therm. ID: <u>45</u>	No. of Coolers: _____ Y N Initial	
Phone#: <u>267 240 3237</u>	2		<input checked="" type="checkbox"/>							<u>Select VOC's</u>			Custody Seals Present? <input checked="" type="checkbox"/>	<u>MM</u>		
Project Name#: <u>BETHPAGE SITE 1</u>	3		<input checked="" type="checkbox"/>							<u>Select VOC's</u>			(if present) Seals Intact? <input type="checkbox"/>			
BH To: <u>ECOR SOLUTIONS</u>	4									<u>Full list needed</u>			(TO-13) Received on Ice? <input type="checkbox"/>			
TAT <input checked="" type="checkbox"/> Normal-Standard TAT is 10-12 business days. <input type="checkbox"/> Rush-Subject to ALSI approval and surcharges.	5									<u>per email from Missy Holdid 7/23/10</u>			COC/Seals Complete/Accurate? <input checked="" type="checkbox"/>			
Date Required: _____ Approved By: _____	6												Cont. in Good Cond.? <input checked="" type="checkbox"/>			
Email? <input checked="" type="checkbox"/> Y <u>MATT.LAPP@ecorsolutions.com</u>	7												Correct Containers? <input checked="" type="checkbox"/>			
Fax? <input checked="" type="checkbox"/> Y No: _____	8												Correct Sample Volumes? <input checked="" type="checkbox"/>			
	9												Courier/Tracking #: <u>8705 2430 6256</u>			
	10															

SAMPLE INFORMATION FOR BOTH TO-15 AND TO-13		TO-15 FIELD DATA							TO-13 FIELD DATA				
Sample Description/Location (as it will appear on the lab report)	Sample Date	Start Time	Stop Time	Temp Deg C	1L	6L	Canister No.	Flow Controller No.	Ending Canister Pressure ("Hg)	PUF No.	Pump No.	Pump Flow Rate	Total Volume
<u>1 SVE-TE-072210-1</u>	<u>7-22-10</u>	<u>1250</u>	<u>1330</u>			<input checked="" type="checkbox"/>	<u>1809</u>	<u>7305487</u>	<u>-15</u>				
<u>2 SVE-TE-072210-2</u>	<u>7-22-10</u>	<u>1330</u>	<u>1350</u>			<input checked="" type="checkbox"/>	<u>1072</u>	<u>7309369</u>	<u>-19</u>				
<u>3 SVE-TE-072210</u>	<u>7-22-10</u>	<u>1350</u>	<u>1300</u>			<input checked="" type="checkbox"/>	<u>1363</u>	<u>7276970</u>	<u>-15</u>				
4													
5													
6													
7													
8													
9													
10													

4. SAMPLED BY (Please Print): <u>Greg Bongem</u>		LOGGED BY (signature): <u>[Signature]</u> <u>7/23/10</u> <u>1051</u>		5. PROJECT INFORMATION		State Samples Collected In	
REVIEWED BY (signature): <u>[Signature]</u> <u>7/23/10</u> <u>1052</u>		Received By / Company Name		Data Deliverables		<input checked="" type="checkbox"/> NY	
Relinquished By / Company Name		Date	Time	Date	Time	<input type="checkbox"/> NJ	
1 <u>SAME HERE</u>				2 <u>[Signature]</u>		<input type="checkbox"/> PA	
3 <u>Greg Bongem - Ecor Solutions</u>		<u>7-22-10</u>		4 <u>[Signature]</u>	<u>7/23/10</u>	<input type="checkbox"/> NC	
				5		<input type="checkbox"/> other	
				6			
				7			
				8			
				9			
				10			

34 Dogwood Lane - Middletown, PA 17057 Phone: 717-944-5541 Fax: 717-944-1430



ANALYTICAL LABORATORY SERVICES, INC.

www.analyticalcallab.com
NELAP Accredited
PA 22-293 NJ PA010





Certificate of Analysis

Project Name: **BETHPAGE-NY**

Workorder: **9861460**

Purchase Order:

Workorder ID: **Site 1 Bethpage NY**

Mr. Matt Lapp
ECOR Solutions
440 Creamery Way
Suite 150
Exton, PA 19341

August 27, 2010

Dear Mr. Lapp,

Enclosed are the analytical results for samples received by the laboratory on Friday, August 20, 2010

ALSI is a National Environmental Laboratory Accreditation Program (NELAP) accredited laboratory and as such, certifies that all applicable test results meet the requirements of NELAP.

If you have any questions regarding this certificate of analysis, please contact Tonya Hironimus (Project Coordinator) or Anna G Milliken (Laboratory Manager) at (717) 944-5541.

Please visit us at www.analyticallab.com for a listing of ALSI's NELAP accreditations and Scope of Work, as well as other links to Water Quality documentation on the internet.

This laboratory report may not be reproduced, except in full, without the written approval of ALSI.

NOTE: ALSI has changed the report generation tool and while we have tried to retain the existing format, you will notice some changes in the laboratory report. Please feel free to contact ALSI in case you have any questions.

Analytical Laboratory Services, Inc.

This page is included as part of the Analytical Report and must be retained as a permanent record thereof.


Anna G Milliken
Laboratory Manager



SAMPLE SUMMARY

Workorder: 9861460 Site 1 Bethpage NY

Discard Date: 09/10/2010

Lab ID	Sample ID	Matrix	Date Collected	Date Received	Collected By
9861460001	SVE TI - 081910-01	Air	8/19/10 13:00	8/20/10 09:25	Customer
9861460002	SVE TI - 081910-02	Air	8/19/10 14:00	8/20/10 09:25	Customer
9861460003	SVE TE - 081910	Air	8/19/10 12:30	8/20/10 09:25	Customer

Workorder Comments:

Notes

- Samples collected by ALSI personnel are done so in accordance with the procedures set forth in the ALSI Field Sampling Plan (20 - Field Services Sampling Plan).
- All Waste Water analyses comply with methodology requirements of 40 CFR Part 136.
- All Drinking Water analyses comply with methodology requirements of 40 CFR Part 141.
- Unless otherwise noted, all quantitative results for soils are reported on a dry weight basis.
- The Chain of Custody document is included as part of this report.

Standard Acronyms/Flags

- J, B Indicates an estimated value between the Method Detection Limit (MDL) and the Practical Quantitation Limit (PQL) for the analyte
- U Indicates that the analyte was Not Detected (ND)
- N Indicates presumptive evidence of the presence of a compound
- MDL Method Detection Limit
- PQL Practical Quantitation Limit
- RDL Reporting Detection Limit
- ND Not Detected - indicates that the analyte was Not Detected at the RDL
- Cntr Analysis was performed using this container
- RegLmt Regulatory Limit
- LCS Laboratory Control Sample
- MS Matrix Spike
- MSD Matrix Spike Duplicate
- DUP Sample Duplicate
- %Rec Percent Recovery
- RPD Relative Percent Difference



ANALYTICAL RESULTS

Workorder: 9861460 Site 1 Bethpage NY

Lab ID: **9861460001**
Sample ID: **SVE TI - 081910-01**

Date Collected: 8/19/2010 13:00
Date Received: 8/20/2010 09:25

Matrix: Air

Parameters	Results	Units	Footnotes	RDL	MDL	Method	Prepared By	Analyzed	By	Cntr
VOLATILE ORGANICS @ STP										
Acetone	9.1	ppbv		0.50	0.20	TO-15		8/27/10 04:59	JSS	A
Acrylonitrile	0.50 U	ppbv		0.50	0.20	TO-15		8/27/10 04:59	JSS	A
tert-Amyl methyl ether	0.50 U	ppbv		0.50	0.20	TO-15		8/27/10 04:59	JSS	A
Benzene	0.50 U	ppbv		0.50	0.20	TO-15		8/27/10 04:59	JSS	A
Benzyl Chloride	0.50 U	ppbv		0.50	0.20	TO-15		8/27/10 04:59	JSS	A
Bromodichloromethane	0.50 U	ppbv		0.50	0.20	TO-15		8/27/10 04:59	JSS	A
Bromoform	0.50 U	ppbv		0.50	0.20	TO-15		8/27/10 04:59	JSS	A
Bromomethane	0.50 U	ppbv		0.50	0.20	TO-15		8/27/10 04:59	JSS	A
1,3-Butadiene	0.50 U	ppbv		0.50	0.20	TO-15		8/27/10 04:59	JSS	A
2-Butanone	3.1	ppbv		0.50	0.20	TO-15		8/27/10 04:59	JSS	A
tert.- Butyl Alcohol	0.50 U	ppbv		0.50	0.20	TO-15		8/27/10 04:59	JSS	A
Carbon Disulfide	0.50 U	ppbv		0.50	0.20	TO-15		8/27/10 04:59	JSS	A
Carbon Tetrachloride	0.24J	ppbv		0.50	0.20	TO-15		8/27/10 04:59	JSS	A
Chlorobenzene	0.50 U	ppbv		0.50	0.20	TO-15		8/27/10 04:59	JSS	A
Chlorodibromomethane	0.50 U	ppbv		0.50	0.20	TO-15		8/27/10 04:59	JSS	A
Chloroethane	0.50 U	ppbv		0.50	0.20	TO-15		8/27/10 04:59	JSS	A
Chloroform	0.98	ppbv		0.50	0.20	TO-15		8/27/10 04:59	JSS	A
Chloromethane	0.50 U	ppbv		0.50	0.20	TO-15		8/27/10 04:59	JSS	A
3-Chloro-1-propene	0.50 U	ppbv		0.50	0.20	TO-15		8/27/10 04:59	JSS	A
o-Chlorotoluene	0.50 U	ppbv		0.50	0.20	TO-15		8/27/10 04:59	JSS	A
Cyclohexane	0.50 U	ppbv		0.50	0.20	TO-15		8/27/10 04:59	JSS	A
1,2-Dibromoethane	0.50 U	ppbv		0.50	0.20	TO-15		8/27/10 04:59	JSS	A
1,2-Dichlorobenzene	0.50 U	ppbv		0.50	0.20	TO-15		8/27/10 04:59	JSS	A
1,3-Dichlorobenzene	0.50 U	ppbv		0.50	0.20	TO-15		8/27/10 04:59	JSS	A
1,4-Dichlorobenzene	0.50 U	ppbv		0.50	0.20	TO-15		8/27/10 04:59	JSS	A
Dichlorodifluoromethane	0.44J	ppbv		0.50	0.20	TO-15		8/27/10 04:59	JSS	A
1,1-Dichloroethane	16.6	ppbv		0.50	0.20	TO-15		8/27/10 04:59	JSS	A
1,2-Dichloroethane	0.32J	ppbv		0.50	0.20	TO-15		8/27/10 04:59	JSS	A
1,1-Dichloroethene	0.37J	ppbv		0.50	0.20	TO-15		8/27/10 04:59	JSS	A
cis-1,2-Dichloroethene	68.0	ppbv		10.0	4.0	TO-15		8/26/10 06:37	JSS	A
trans-1,2-Dichloroethene	0.90	ppbv		0.50	0.20	TO-15		8/27/10 04:59	JSS	A
1,2-Dichloropropane	0.50 U	ppbv		0.50	0.20	TO-15		8/27/10 04:59	JSS	A
cis-1,3-Dichloropropene	0.50 U	ppbv		0.50	0.20	TO-15		8/27/10 04:59	JSS	A
trans-1,3-Dichloropropene	0.50 U	ppbv		0.50	0.20	TO-15		8/27/10 04:59	JSS	A
1,3-Dichloropropene, Total	1.0 U	ppbv		1.0	0.40	TO-15		8/27/10 04:59	JSS	A
Diisopropyl ether	0.50 U	ppbv		0.50	0.20	TO-15		8/27/10 04:59	JSS	A
1,4-Dioxane	0.50 U	ppbv		0.50	0.20	TO-15		8/27/10 04:59	JSS	A
Ethyl Acetate	0.50 U	ppbv		0.50	0.20	TO-15		8/27/10 04:59	JSS	A
Ethyl tert-butyl ether	0.50 U	ppbv		0.50	0.20	TO-15		8/27/10 04:59	JSS	A
Ethylbenzene	0.50 U	ppbv		0.50	0.20	TO-15		8/27/10 04:59	JSS	A
4-Ethyltoluene	0.50 U	ppbv		0.50	0.20	TO-15		8/27/10 04:59	JSS	A
Freon 113	16.5	ppbv		10.0	4.0	TO-15		8/26/10 06:37	JSS	A
Freon-114	0.50 U	ppbv		0.50	0.20	TO-15		8/27/10 04:59	JSS	A
Heptane	0.50 U	ppbv		0.50	0.20	TO-15		8/27/10 04:59	JSS	A
Hexachlorobutadiene	0.50 U	ppbv		0.50	0.20	TO-15		8/27/10 04:59	JSS	A
Hexane	0.50 U	ppbv		0.50	0.20	TO-15		8/27/10 04:59	JSS	A



ANALYTICAL RESULTS

Workorder: 9861460 Site 1 Bethpage NY

Lab ID: **9861460001** Date Collected: 8/19/2010 13:00 Matrix: Air
Sample ID: **SVE TI - 081910-01** Date Received: 8/20/2010 09:25

Parameters	Results	Units	Footnotes	RDL	MDL	Method	Prepared By	Analyzed	By	Cntr
2-Hexanone	0.41J	ppbv		0.50	0.20	TO-15		8/27/10 04:59	JSS	A
Isopropyl Alcohol	0.36J	ppbv		0.50	0.20	TO-15		8/27/10 04:59	JSS	A
Isopropylbenzene	19.3	ppbv		0.50	0.20	TO-15		8/27/10 04:59	JSS	A
p-Isopropyltoluene	0.50 U	ppbv		0.50	0.20	TO-15		8/27/10 04:59	JSS	A
Methyl t-Butyl Ether	0.50 U	ppbv		0.50	0.20	TO-15		8/27/10 04:59	JSS	A
4-Methyl-2-Pentanone(MIBK)	0.23J	ppbv		0.50	0.20	TO-15		8/27/10 04:59	JSS	A
Methylene Chloride	0.25J	ppbv		0.50	0.20	TO-15		8/27/10 04:59	JSS	A
Naphthalene	0.50 U	ppbv		0.50	0.20	TO-15		8/27/10 04:59	JSS	A
iso-Octane	0.50 U	ppbv		0.50	0.20	TO-15		8/27/10 04:59	JSS	A
n-Propylbenzene	0.50 U	ppbv		0.50	0.20	TO-15		8/27/10 04:59	JSS	A
Propylene	0.50 U	ppbv		0.50	0.20	TO-15		8/27/10 04:59	JSS	A
Styrene	0.50 U	ppbv		0.50	0.20	TO-15		8/27/10 04:59	JSS	A
1,1,2,2-Tetrachloroethane	0.50 U	ppbv		0.50	0.20	TO-15		8/27/10 04:59	JSS	A
Tetrachloroethene	853	ppbv		0.50	0.20	TO-15		8/27/10 04:59	JSS	A
Tetrahydrofuran	10.2	ppbv		0.50	0.20	TO-15		8/27/10 04:59	JSS	A
Toluene	0.50 U	ppbv		0.50	0.20	TO-15		8/27/10 04:59	JSS	A
Total Xylenes	1.5 U	ppbv		1.5	0.60	TO-15		8/27/10 04:59	JSS	A
1,2,4-Trichlorobenzene	0.50 U	ppbv		0.50	0.20	TO-15		8/27/10 04:59	JSS	A
1,1,1-Trichloroethane	159	ppbv		0.50	0.20	TO-15		8/27/10 04:59	JSS	A
1,1,2-Trichloroethane	0.50 U	ppbv		0.50	0.20	TO-15		8/27/10 04:59	JSS	A
Trichloroethene	776	ppbv		0.50	0.20	TO-15		8/27/10 04:59	JSS	A
Trichlorofluoromethane	0.43J	ppbv		0.50	0.20	TO-15		8/27/10 04:59	JSS	A
1,2,3-Trichloropropane	0.50 U	ppbv		0.50	0.20	TO-15		8/27/10 04:59	JSS	A
1,2,4-Trimethylbenzene	0.50 U	ppbv		0.50	0.20	TO-15		8/27/10 04:59	JSS	A
1,3,5-Trimethylbenzene	0.50 U	ppbv		0.50	0.20	TO-15		8/27/10 04:59	JSS	A
1,2,3-Trimethylbenzene	0.50 U	ppbv		0.50	0.20	TO-15		8/27/10 04:59	JSS	A
Vinyl Acetate	0.50 U	ppbv		0.50	0.20	TO-15		8/27/10 04:59	JSS	A
Vinyl Bromide	0.50 U	ppbv		0.50	0.20	TO-15		8/27/10 04:59	JSS	A
Vinyl Chloride	0.50 U	ppbv		0.50	0.20	TO-15		8/27/10 04:59	JSS	A
o-Xylene	0.24J	ppbv		0.50	0.20	TO-15		8/27/10 04:59	JSS	A
mp-Xylene	1.0 U	ppbv		1.0	0.40	TO-15		8/27/10 04:59	JSS	A
Acetone	21.7	ug/m3		1.2	0.48	TO-15		8/27/10 04:59	JSS	A
Acrylonitrile	1.1 U	ug/m3		1.1	0.43	TO-15		8/27/10 04:59	JSS	A
tert-Amyl methyl ether	2.1 U	ug/m3		2.1	0.84	TO-15		8/27/10 04:59	JSS	A
Benzene	1.6 U	ug/m3		1.6	0.64	TO-15		8/27/10 04:59	JSS	A
Benzyl Chloride	2.6 U	ug/m3		2.6	1.0	TO-15		8/27/10 04:59	JSS	A
Bromodichloromethane	3.4 U	ug/m3		3.4	1.3	TO-15		8/27/10 04:59	JSS	A
Bromoform	5.2 U	ug/m3		5.2	2.1	TO-15		8/27/10 04:59	JSS	A
Bromomethane	1.9 U	ug/m3		1.9	0.78	TO-15		8/27/10 04:59	JSS	A
1,3-Butadiene	1.1 U	ug/m3		1.1	0.44	TO-15		8/27/10 04:59	JSS	A
2-Butanone	9.1	ug/m3		1.5	0.59	TO-15		8/27/10 04:59	JSS	A
tert.- Butyl Alcohol	1.5 U	ug/m3		1.5	0.61	TO-15		8/27/10 04:59	JSS	A
Carbon Disulfide	1.6 U	ug/m3		1.6	0.62	TO-15		8/27/10 04:59	JSS	A
Carbon Tetrachloride	1.5J	ug/m3		3.1	1.3	TO-15		8/27/10 04:59	JSS	A
Chlorobenzene	2.3 U	ug/m3		2.3	0.92	TO-15		8/27/10 04:59	JSS	A
Chlorodibromomethane	4.3 U	ug/m3		4.3	1.7	TO-15		8/27/10 04:59	JSS	A



ANALYTICAL RESULTS

Workorder: 9861460 Site 1 Bethpage NY

Lab ID: **9861460001**

Date Collected: 8/19/2010 13:00

Matrix: Air

Sample ID: **SVE TI - 081910-01**

Date Received: 8/20/2010 09:25

Parameters	Results	Units	Footnotes	RDL	MDL	Method	Prepared	By	Analyzed	By	Cntr
Chloroethane	1.3 U	ug/m3		1.3	0.53	TO-15			8/27/10 04:59	JSS	A
Chloroform	4.8	ug/m3		2.4	0.98	TO-15			8/27/10 04:59	JSS	A
Chloromethane	1.0 U	ug/m3		1.0	0.41	TO-15			8/27/10 04:59	JSS	A
3-Chloro-1-propene	1.6 U	ug/m3		1.6	0.63	TO-15			8/27/10 04:59	JSS	A
o-Chlorotoluene	2.6 U	ug/m3		2.6	1.0	TO-15			8/27/10 04:59	JSS	A
Cyclohexane	1.7 U	ug/m3		1.7	0.69	TO-15			8/27/10 04:59	JSS	A
1,2-Dibromoethane	3.8 U	ug/m3		3.8	1.5	TO-15			8/27/10 04:59	JSS	A
1,2-Dichlorobenzene	3.0 U	ug/m3		3.0	1.2	TO-15			8/27/10 04:59	JSS	A
1,3-Dichlorobenzene	3.0 U	ug/m3		3.0	1.2	TO-15			8/27/10 04:59	JSS	A
1,4-Dichlorobenzene	3.0 U	ug/m3		3.0	1.2	TO-15			8/27/10 04:59	JSS	A
Dichlorodifluoromethane	2.2J	ug/m3		2.5	0.99	TO-15			8/27/10 04:59	JSS	A
1,1-Dichloroethane	67.1	ug/m3		2.0	0.81	TO-15			8/27/10 04:59	JSS	A
1,2-Dichloroethane	1.3J	ug/m3		2.0	0.81	TO-15			8/27/10 04:59	JSS	A
1,1-Dichloroethene	1.5J	ug/m3		2.0	0.79	TO-15			8/27/10 04:59	JSS	A
cis-1,2-Dichloroethene	270	ug/m3		40.0	15.8	TO-15			8/26/10 06:37	JSS	A
trans-1,2-Dichloroethene	3.6	ug/m3		2.0	0.79	TO-15			8/27/10 04:59	JSS	A
1,2-Dichloropropane	2.3 U	ug/m3		2.3	0.92	TO-15			8/27/10 04:59	JSS	A
cis-1,3-Dichloropropene	2.3 U	ug/m3		2.3	0.91	TO-15			8/27/10 04:59	JSS	A
trans-1,3-Dichloropropene	2.3 U	ug/m3		2.3	0.91	TO-15			8/27/10 04:59	JSS	A
1,3-Dichloropropene, Total	4.5 U	ug/m3		4.5	1.8	TO-15			8/27/10 04:59	JSS	A
Diisopropyl ether	2.1 U	ug/m3		2.1	0.84	TO-15			8/27/10 04:59	JSS	A
1,4-Dioxane	1.8 U	ug/m3		1.8	0.72	TO-15			8/27/10 04:59	JSS	A
Ethyl Acetate	1.8 U	ug/m3		1.8	0.84	TO-15			8/27/10 04:59	JSS	A
Ethyl tert-butyl ether	2.1 U	ug/m3		2.1	0.84	TO-15			8/27/10 04:59	JSS	A
Ethylbenzene	2.2 U	ug/m3		2.2	0.87	TO-15			8/27/10 04:59	JSS	A
4-Ethyltoluene	2.5 U	ug/m3		2.5	0.98	TO-15			8/27/10 04:59	JSS	A
Freon 113	126	ug/m3		76.0	30.6	TO-15			8/26/10 06:37	JSS	A
Freon-114	3.5 U	ug/m3		3.5	1.4	TO-15			8/27/10 04:59	JSS	A
Heptane	2.0 U	ug/m3		2.0	0.82	TO-15			8/27/10 04:59	JSS	A
Hexachlorobutadiene	5.3 U	ug/m3		5.3	2.1	TO-15			8/27/10 04:59	JSS	A
Hexane	1.8 U	ug/m3		1.8	0.70	TO-15			8/27/10 04:59	JSS	A
2-Hexanone	1.7J	ug/m3		2.1	0.82	TO-15			8/27/10 04:59	JSS	A
Isopropyl Alcohol	0.88J	ug/m3		1.2	0.49	TO-15			8/27/10 04:59	JSS	A
Isopropylbenzene	94.8	ug/m3		2.5	1.0	TO-15			8/27/10 04:59	JSS	A
p-Isopropyltoluene	2.7 U	ug/m3		2.7	1.1	TO-15			8/27/10 04:59	JSS	A
Methyl t-Butyl Ether	1.8 U	ug/m3		1.8	0.72	TO-15			8/27/10 04:59	JSS	A
4-Methyl-2-Pentanone(MIBK)	0.95J	ug/m3		2.0	0.82	TO-15			8/27/10 04:59	JSS	A
Methylene Chloride	0.86J	ug/m3		1.7	0.69	TO-15			8/27/10 04:59	JSS	A
Naphthalene	2.6 U	ug/m3		2.6	1.1	TO-15			8/27/10 04:59	JSS	A
iso-Octane	2.3 U	ug/m3		2.3	0.93	TO-15			8/27/10 04:59	JSS	A
n-Propylbenzene	2.5 U	ug/m3		2.5	0.98	TO-15			8/27/10 04:59	JSS	A
Propylene	0.86 U	ug/m3		0.86	0.34	TO-15			8/27/10 04:59	JSS	A
Styrene	2.1 U	ug/m3		2.1	0.85	TO-15			8/27/10 04:59	JSS	A
1,1,2,2-Tetrachloroethane	3.4 U	ug/m3		3.4	1.4	TO-15			8/27/10 04:59	JSS	A
Tetrachloroethene	5780	ug/m3		3.4	1.4	TO-15			8/27/10 04:59	JSS	A
Tetrahydrofuran	30.1	ug/m3		1.5	0.59	TO-15			8/27/10 04:59	JSS	A



ANALYTICAL RESULTS

Workorder: 9861460 Site 1 Bethpage NY

Lab ID: **9861460001**
Sample ID: **SVE TI - 081910-01**

Date Collected: 8/19/2010 13:00
Date Received: 8/20/2010 09:25

Matrix: Air

Parameters	Results	Units	Footnotes	RDL	MDL	Method	Prepared By	Analyzed	By	Cntr
Toluene	1.9 U	ug/m3		1.9	0.75	TO-15		8/27/10 04:59	JSS	A
Total Xylenes	6.5 U	ug/m3		6.5	2.6	TO-15		8/27/10 04:59	JSS	A
1,2,4-Trichlorobenzene	3.7 U	ug/m3		3.7	1.5	TO-15		8/27/10 04:59	JSS	A
1,1,1-Trichloroethane	868	ug/m3		2.7	1.1	TO-15		8/27/10 04:59	JSS	A
1,1,2-Trichloroethane	2.7 U	ug/m3		2.7	1.1	TO-15		8/27/10 04:59	JSS	A
Trichloroethene	4170	ug/m3		2.7	1.1	TO-15		8/27/10 04:59	JSS	A
Trichlorofluoromethane	2.4J	ug/m3		2.8	1.1	TO-15		8/27/10 04:59	JSS	A
1,2,3-Trichloropropane	3.0 U	ug/m3		3.0	1.2	TO-15		8/27/10 04:59	JSS	A
1,2,4-Trimethylbenzene	2.5 U	ug/m3		2.5	0.98	TO-15		8/27/10 04:59	JSS	A
1,3,5-Trimethylbenzene	2.5 U	ug/m3		2.5	0.98	TO-15		8/27/10 04:59	JSS	A
1,2,3-Trimethylbenzene	2.5 U	ug/m3		2.5	0.98	TO-15		8/27/10 04:59	JSS	A
Vinyl Acetate	1.8 U	ug/m3		1.8	0.70	TO-15		8/27/10 04:59	JSS	A
Vinyl Bromide	2.2 U	ug/m3		2.2	0.87	TO-15		8/27/10 04:59	JSS	A
Vinyl Chloride	1.3 U	ug/m3		1.3	0.51	TO-15		8/27/10 04:59	JSS	A
o-Xylene	1.0J	ug/m3		2.2	0.87	TO-15		8/27/10 04:59	JSS	A
mp-Xylenes	4.3 U	ug/m3		4.3	1.7	TO-15		8/27/10 04:59	JSS	A
Surrogate Recoveries	Results	Units	Footnotes	Limits		Method	Prepared By	Analyzed	By	Cntr
4-Bromofluorobenzene (S)	99.9	%		70-130		TO-15		8/26/10 06:37	JSS	A
4-Bromofluorobenzene (S)	114	%		70-130		TO-15		8/27/10 04:59	JSS	A

Sample Comments:

Anna G Milliken
Laboratory Manager



ANALYTICAL RESULTS

Workorder: 9861460 Site 1 Bethpage NY

Lab ID: **9861460002**
Sample ID: **SVE TI - 081910-02**

Date Collected: 8/19/2010 14:00
Date Received: 8/20/2010 09:25

Matrix: Air

Parameters	Results	Units	Footnotes	RDL	MDL	Method	Prepared By	Analyzed	By	Cntr
VOLATILE ORGANICS @ STP										
Acetone	2.6	ppbv		0.50	0.20	TO-15		8/27/10 05:43	JSS	A
Acrylonitrile	0.50 U	ppbv		0.50	0.20	TO-15		8/27/10 05:43	JSS	A
tert-Amyl methyl ether	0.50 U	ppbv		0.50	0.20	TO-15		8/27/10 05:43	JSS	A
Benzene	0.50 U	ppbv		0.50	0.20	TO-15		8/27/10 05:43	JSS	A
Benzyl Chloride	0.50 U	ppbv		0.50	0.20	TO-15		8/27/10 05:43	JSS	A
Bromodichloromethane	0.50 U	ppbv		0.50	0.20	TO-15		8/27/10 05:43	JSS	A
Bromoform	0.50 U	ppbv		0.50	0.20	TO-15		8/27/10 05:43	JSS	A
Bromomethane	0.50 U	ppbv		0.50	0.20	TO-15		8/27/10 05:43	JSS	A
1,3-Butadiene	0.50 U	ppbv		0.50	0.20	TO-15		8/27/10 05:43	JSS	A
2-Butanone	2.6	ppbv		0.50	0.20	TO-15		8/27/10 05:43	JSS	A
tert.- Butyl Alcohol	0.50 U	ppbv		0.50	0.20	TO-15		8/27/10 05:43	JSS	A
Carbon Disulfide	0.50 U	ppbv		0.50	0.20	TO-15		8/27/10 05:43	JSS	A
Carbon Tetrachloride	0.30J	ppbv		0.50	0.20	TO-15		8/27/10 05:43	JSS	A
Chlorobenzene	0.50 U	ppbv		0.50	0.20	TO-15		8/27/10 05:43	JSS	A
Chlorodibromomethane	0.50 U	ppbv		0.50	0.20	TO-15		8/27/10 05:43	JSS	A
Chloroethane	0.50 U	ppbv		0.50	0.20	TO-15		8/27/10 05:43	JSS	A
Chloroform	1.2	ppbv		0.50	0.20	TO-15		8/27/10 05:43	JSS	A
Chloromethane	0.50 U	ppbv		0.50	0.20	TO-15		8/27/10 05:43	JSS	A
3-Chloro-1-propene	0.50 U	ppbv		0.50	0.20	TO-15		8/27/10 05:43	JSS	A
o-Chlorotoluene	0.50 U	ppbv		0.50	0.20	TO-15		8/27/10 05:43	JSS	A
Cyclohexane	0.50 U	ppbv		0.50	0.20	TO-15		8/27/10 05:43	JSS	A
1,2-Dibromoethane	0.50 U	ppbv		0.50	0.20	TO-15		8/27/10 05:43	JSS	A
1,2-Dichlorobenzene	0.50 U	ppbv		0.50	0.20	TO-15		8/27/10 05:43	JSS	A
1,3-Dichlorobenzene	0.50 U	ppbv		0.50	0.20	TO-15		8/27/10 05:43	JSS	A
1,4-Dichlorobenzene	0.50 U	ppbv		0.50	0.20	TO-15		8/27/10 05:43	JSS	A
Dichlorodifluoromethane	0.32J	ppbv		0.50	0.20	TO-15		8/27/10 05:43	JSS	A
1,1-Dichloroethane	16.7	ppbv		0.50	0.20	TO-15		8/27/10 05:43	JSS	A
1,2-Dichloroethane	0.35J	ppbv		0.50	0.20	TO-15		8/27/10 05:43	JSS	A
1,1-Dichloroethene	0.43J	ppbv		0.50	0.20	TO-15		8/27/10 05:43	JSS	A
cis-1,2-Dichloroethene	65.9	ppbv		10.0	4.0	TO-15		8/26/10 07:20	JSS	A
trans-1,2-Dichloroethene	1.0	ppbv		0.50	0.20	TO-15		8/27/10 05:43	JSS	A
1,2-Dichloropropane	0.50 U	ppbv		0.50	0.20	TO-15		8/27/10 05:43	JSS	A
cis-1,3-Dichloropropene	0.50 U	ppbv		0.50	0.20	TO-15		8/27/10 05:43	JSS	A
trans-1,3-Dichloropropene	0.50 U	ppbv		0.50	0.20	TO-15		8/27/10 05:43	JSS	A
1,3-Dichloropropene, Total	1.0 U	ppbv		1.0	0.40	TO-15		8/27/10 05:43	JSS	A
Diisopropyl ether	0.50 U	ppbv		0.50	0.20	TO-15		8/27/10 05:43	JSS	A
1,4-Dioxane	0.50 U	ppbv		0.50	0.20	TO-15		8/27/10 05:43	JSS	A
Ethyl Acetate	0.50 U	ppbv		0.50	0.20	TO-15		8/27/10 05:43	JSS	A
Ethyl tert-butyl ether	0.50 U	ppbv		0.50	0.20	TO-15		8/27/10 05:43	JSS	A
Ethylbenzene	0.50 U	ppbv		0.50	0.20	TO-15		8/27/10 05:43	JSS	A
4-Ethyltoluene	0.50 U	ppbv		0.50	0.20	TO-15		8/27/10 05:43	JSS	A
Freon 113	15.9	ppbv		10.0	4.0	TO-15		8/26/10 07:20	JSS	A
Freon-114	0.50 U	ppbv		0.50	0.20	TO-15		8/27/10 05:43	JSS	A
Heptane	0.50 U	ppbv		0.50	0.20	TO-15		8/27/10 05:43	JSS	A
Hexachlorobutadiene	0.50 U	ppbv		0.50	0.20	TO-15		8/27/10 05:43	JSS	A
Hexane	0.50 U	ppbv		0.50	0.20	TO-15		8/27/10 05:43	JSS	A



ANALYTICAL RESULTS

Workorder: 9861460 Site 1 Bethpage NY

Lab ID: 9861460002

Date Collected: 8/19/2010 14:00

Matrix: Air

Sample ID: SVE TI - 081910-02

Date Received: 8/20/2010 09:25

Parameters	Results	Units	Footnotes	RDL	MDL	Method	Prepared By	Analyzed	By	Cntr
2-Hexanone	0.50 U	ppbv		0.50	0.20	TO-15		8/27/10 05:43	JSS	A
Isopropyl Alcohol	0.29J	ppbv		0.50	0.20	TO-15		8/27/10 05:43	JSS	A
Isopropylbenzene	7.3	ppbv		0.50	0.20	TO-15		8/27/10 05:43	JSS	A
p-Isopropyltoluene	0.50 U	ppbv		0.50	0.20	TO-15		8/27/10 05:43	JSS	A
Methyl t-Butyl Ether	0.50 U	ppbv		0.50	0.20	TO-15		8/27/10 05:43	JSS	A
4-Methyl-2-Pentanone(MIBK)	0.23J	ppbv		0.50	0.20	TO-15		8/27/10 05:43	JSS	A
Methylene Chloride	1.9	ppbv		0.50	0.20	TO-15		8/27/10 05:43	JSS	A
Naphthalene	0.50 U	ppbv		0.50	0.20	TO-15		8/27/10 05:43	JSS	A
iso-Octane	0.50 U	ppbv		0.50	0.20	TO-15		8/27/10 05:43	JSS	A
n-Propylbenzene	0.50 U	ppbv		0.50	0.20	TO-15		8/27/10 05:43	JSS	A
Propylene	0.50 U	ppbv		0.50	0.20	TO-15		8/27/10 05:43	JSS	A
Styrene	0.50 U	ppbv		0.50	0.20	TO-15		8/27/10 05:43	JSS	A
1,1,2,2-Tetrachloroethane	0.50 U	ppbv		0.50	0.20	TO-15		8/27/10 05:43	JSS	A
Tetrachloroethene	242	ppbv		10.0	4.0	TO-15		8/26/10 07:20	JSS	A
Tetrahydrofuran	9.5	ppbv		0.50	0.20	TO-15		8/27/10 05:43	JSS	A
Toluene	0.50 U	ppbv		0.50	0.20	TO-15		8/27/10 05:43	JSS	A
Total Xylenes	1.5 U	ppbv		1.5	0.60	TO-15		8/27/10 05:43	JSS	A
1,2,4-Trichlorobenzene	0.50 U	ppbv		0.50	0.20	TO-15		8/27/10 05:43	JSS	A
1,1,1-Trichloroethane	47.6	ppbv		10.0	4.0	TO-15		8/26/10 07:20	JSS	A
1,1,2-Trichloroethane	0.29J	ppbv		0.50	0.20	TO-15		8/27/10 05:43	JSS	A
Trichloroethene	179	ppbv		10.0	4.0	TO-15		8/26/10 07:20	JSS	A
Trichlorofluoromethane	0.28J	ppbv		0.50	0.20	TO-15		8/27/10 05:43	JSS	A
1,2,3-Trichloropropane	0.50 U	ppbv		0.50	0.20	TO-15		8/27/10 05:43	JSS	A
1,2,4-Trimethylbenzene	0.50 U	ppbv		0.50	0.20	TO-15		8/27/10 05:43	JSS	A
1,3,5-Trimethylbenzene	0.50 U	ppbv		0.50	0.20	TO-15		8/27/10 05:43	JSS	A
1,2,3-Trimethylbenzene	0.50 U	ppbv		0.50	0.20	TO-15		8/27/10 05:43	JSS	A
Vinyl Acetate	0.50 U	ppbv		0.50	0.20	TO-15		8/27/10 05:43	JSS	A
Vinyl Bromide	0.50 U	ppbv		0.50	0.20	TO-15		8/27/10 05:43	JSS	A
Vinyl Chloride	0.50 U	ppbv		0.50	0.20	TO-15		8/27/10 05:43	JSS	A
o-Xylene	0.30J	ppbv		0.50	0.20	TO-15		8/27/10 05:43	JSS	A
mp-Xylene	1.0 U	ppbv		1.0	0.40	TO-15		8/27/10 05:43	JSS	A
Acetone	6.3	ug/m3		1.2	0.48	TO-15		8/27/10 05:43	JSS	A
Acrylonitrile	1.1 U	ug/m3		1.1	0.43	TO-15		8/27/10 05:43	JSS	A
tert-Amyl methyl ether	2.1 U	ug/m3		2.1	0.84	TO-15		8/27/10 05:43	JSS	A
Benzene	1.6 U	ug/m3		1.6	0.64	TO-15		8/27/10 05:43	JSS	A
Benzyl Chloride	2.6 U	ug/m3		2.6	1.0	TO-15		8/27/10 05:43	JSS	A
Bromodichloromethane	3.4 U	ug/m3		3.4	1.3	TO-15		8/27/10 05:43	JSS	A
Bromoform	5.2 U	ug/m3		5.2	2.1	TO-15		8/27/10 05:43	JSS	A
Bromomethane	1.9 U	ug/m3		1.9	0.78	TO-15		8/27/10 05:43	JSS	A
1,3-Butadiene	1.1 U	ug/m3		1.1	0.44	TO-15		8/27/10 05:43	JSS	A
2-Butanone	7.5	ug/m3		1.5	0.59	TO-15		8/27/10 05:43	JSS	A
tert.- Butyl Alcohol	1.5 U	ug/m3		1.5	0.61	TO-15		8/27/10 05:43	JSS	A
Carbon Disulfide	1.6 U	ug/m3		1.6	0.62	TO-15		8/27/10 05:43	JSS	A
Carbon Tetrachloride	1.9J	ug/m3		3.1	1.3	TO-15		8/27/10 05:43	JSS	A
Chlorobenzene	2.3 U	ug/m3		2.3	0.92	TO-15		8/27/10 05:43	JSS	A
Chlorodibromomethane	4.3 U	ug/m3		4.3	1.7	TO-15		8/27/10 05:43	JSS	A



ANALYTICAL RESULTS

Workorder: 9861460 Site 1 Bethpage NY

Lab ID: **9861460002**

Date Collected: 8/19/2010 14:00

Matrix: Air

Sample ID: **SVE TI - 081910-02**

Date Received: 8/20/2010 09:25

Parameters	Results	Units	Footnotes	RDL	MDL	Method	Prepared	By	Analyzed	By	Cntr
Chloroethane	1.3 U	ug/m3		1.3	0.53	TO-15			8/27/10 05:43	JSS	A
Chloroform	5.8	ug/m3		2.4	0.98	TO-15			8/27/10 05:43	JSS	A
Chloromethane	1.0 U	ug/m3		1.0	0.41	TO-15			8/27/10 05:43	JSS	A
3-Chloro-1-propene	1.6 U	ug/m3		1.6	0.63	TO-15			8/27/10 05:43	JSS	A
o-Chlorotoluene	2.6 U	ug/m3		2.6	1.0	TO-15			8/27/10 05:43	JSS	A
Cyclohexane	1.7 U	ug/m3		1.7	0.69	TO-15			8/27/10 05:43	JSS	A
1,2-Dibromoethane	3.8 U	ug/m3		3.8	1.5	TO-15			8/27/10 05:43	JSS	A
1,2-Dichlorobenzene	3.0 U	ug/m3		3.0	1.2	TO-15			8/27/10 05:43	JSS	A
1,3-Dichlorobenzene	3.0 U	ug/m3		3.0	1.2	TO-15			8/27/10 05:43	JSS	A
1,4-Dichlorobenzene	3.0 U	ug/m3		3.0	1.2	TO-15			8/27/10 05:43	JSS	A
Dichlorodifluoromethane	1.6J	ug/m3		2.5	0.99	TO-15			8/27/10 05:43	JSS	A
1,1-Dichloroethane	67.6	ug/m3		2.0	0.81	TO-15			8/27/10 05:43	JSS	A
1,2-Dichloroethane	1.4J	ug/m3		2.0	0.81	TO-15			8/27/10 05:43	JSS	A
1,1-Dichloroethene	1.7J	ug/m3		2.0	0.79	TO-15			8/27/10 05:43	JSS	A
cis-1,2-Dichloroethene	261	ug/m3		40.0	15.8	TO-15			8/26/10 07:20	JSS	A
trans-1,2-Dichloroethene	4.0	ug/m3		2.0	0.79	TO-15			8/27/10 05:43	JSS	A
1,2-Dichloropropane	2.3 U	ug/m3		2.3	0.92	TO-15			8/27/10 05:43	JSS	A
cis-1,3-Dichloropropene	2.3 U	ug/m3		2.3	0.91	TO-15			8/27/10 05:43	JSS	A
trans-1,3-Dichloropropene	2.3 U	ug/m3		2.3	0.91	TO-15			8/27/10 05:43	JSS	A
1,3-Dichloropropene, Total	4.5 U	ug/m3		4.5	1.8	TO-15			8/27/10 05:43	JSS	A
Diisopropyl ether	2.1 U	ug/m3		2.1	0.84	TO-15			8/27/10 05:43	JSS	A
1,4-Dioxane	1.8 U	ug/m3		1.8	0.72	TO-15			8/27/10 05:43	JSS	A
Ethyl Acetate	1.8 U	ug/m3		1.8	0.84	TO-15			8/27/10 05:43	JSS	A
Ethyl tert-butyl ether	2.1 U	ug/m3		2.1	0.84	TO-15			8/27/10 05:43	JSS	A
Ethylbenzene	2.2 U	ug/m3		2.2	0.87	TO-15			8/27/10 05:43	JSS	A
4-Ethyltoluene	2.5 U	ug/m3		2.5	0.98	TO-15			8/27/10 05:43	JSS	A
Freon 113	122	ug/m3		76.0	30.6	TO-15			8/26/10 07:20	JSS	A
Freon-114	3.5 U	ug/m3		3.5	1.4	TO-15			8/27/10 05:43	JSS	A
Heptane	2.0 U	ug/m3		2.0	0.82	TO-15			8/27/10 05:43	JSS	A
Hexachlorobutadiene	5.3 U	ug/m3		5.3	2.1	TO-15			8/27/10 05:43	JSS	A
Hexane	1.8 U	ug/m3		1.8	0.70	TO-15			8/27/10 05:43	JSS	A
2-Hexanone	2.1 U	ug/m3		2.1	0.82	TO-15			8/27/10 05:43	JSS	A
Isopropyl Alcohol	0.72J	ug/m3		1.2	0.49	TO-15			8/27/10 05:43	JSS	A
Isopropylbenzene	35.9	ug/m3		2.5	1.0	TO-15			8/27/10 05:43	JSS	A
p-Isopropyltoluene	2.7 U	ug/m3		2.7	1.1	TO-15			8/27/10 05:43	JSS	A
Methyl t-Butyl Ether	1.8 U	ug/m3		1.8	0.72	TO-15			8/27/10 05:43	JSS	A
4-Methyl-2-Pentanone(MIBK)	0.94J	ug/m3		2.0	0.82	TO-15			8/27/10 05:43	JSS	A
Methylene Chloride	6.6	ug/m3		1.7	0.69	TO-15			8/27/10 05:43	JSS	A
Naphthalene	2.6 U	ug/m3		2.6	1.1	TO-15			8/27/10 05:43	JSS	A
iso-Octane	2.3 U	ug/m3		2.3	0.93	TO-15			8/27/10 05:43	JSS	A
n-Propylbenzene	2.5 U	ug/m3		2.5	0.98	TO-15			8/27/10 05:43	JSS	A
Propylene	0.86 U	ug/m3		0.86	0.34	TO-15			8/27/10 05:43	JSS	A
Styrene	2.1 U	ug/m3		2.1	0.85	TO-15			8/27/10 05:43	JSS	A
1,1,2,2-Tetrachloroethane	3.4 U	ug/m3		3.4	1.4	TO-15			8/27/10 05:43	JSS	A
Tetrachloroethene	1640	ug/m3		68.0	27.2	TO-15			8/26/10 07:20	JSS	A
Tetrahydrofuran	28.0	ug/m3		1.5	0.59	TO-15			8/27/10 05:43	JSS	A



ANALYTICAL RESULTS

Workorder: 9861460 Site 1 Bethpage NY

Lab ID: **9861460002**
Sample ID: **SVE TI - 081910-02**

Date Collected: 8/19/2010 14:00
Date Received: 8/20/2010 09:25

Matrix: Air

Parameters	Results	Units	Footnotes	RDL	MDL	Method	Prepared By	Analyzed	By	Cntr
Toluene	1.9 U	ug/m3		1.9	0.75	TO-15		8/27/10 05:43	JSS	A
Total Xylenes	6.5 U	ug/m3		6.5	2.6	TO-15		8/27/10 05:43	JSS	A
1,2,4-Trichlorobenzene	3.7 U	ug/m3		3.7	1.5	TO-15		8/27/10 05:43	JSS	A
1,1,1-Trichloroethane	260	ug/m3		54.0	21.8	TO-15		8/26/10 07:20	JSS	A
1,1,2-Trichloroethane	1.6J	ug/m3		2.7	1.1	TO-15		8/27/10 05:43	JSS	A
Trichloroethene	960	ug/m3		54.0	21.4	TO-15		8/26/10 07:20	JSS	A
Trichlorofluoromethane	1.6J	ug/m3		2.8	1.1	TO-15		8/27/10 05:43	JSS	A
1,2,3-Trichloropropane	3.0 U	ug/m3		3.0	1.2	TO-15		8/27/10 05:43	JSS	A
1,2,4-Trimethylbenzene	2.5 U	ug/m3		2.5	0.98	TO-15		8/27/10 05:43	JSS	A
1,3,5-Trimethylbenzene	2.5 U	ug/m3		2.5	0.98	TO-15		8/27/10 05:43	JSS	A
1,2,3-Trimethylbenzene	2.5 U	ug/m3		2.5	0.98	TO-15		8/27/10 05:43	JSS	A
Vinyl Acetate	1.8 U	ug/m3		1.8	0.70	TO-15		8/27/10 05:43	JSS	A
Vinyl Bromide	2.2 U	ug/m3		2.2	0.87	TO-15		8/27/10 05:43	JSS	A
Vinyl Chloride	1.3 U	ug/m3		1.3	0.51	TO-15		8/27/10 05:43	JSS	A
o-Xylene	1.3J	ug/m3		2.2	0.87	TO-15		8/27/10 05:43	JSS	A
mp-Xylenes	4.3 U	ug/m3		4.3	1.7	TO-15		8/27/10 05:43	JSS	A
Surrogate Recoveries	Results	Units	Footnotes	Limits		Method	Prepared By	Analyzed	By	Cntr
4-Bromofluorobenzene (S)	103	%		70-130		TO-15		8/26/10 07:20	JSS	A
4-Bromofluorobenzene (S)	99.5	%		70-130		TO-15		8/27/10 05:43	JSS	A

Sample Comments:

Anna G Milliken
Laboratory Manager



ANALYTICAL RESULTS

Workorder: 9861460 Site 1 Bethpage NY

Lab ID: **9861460003**
Sample ID: **SVE TE - 081910**

Date Collected: 8/19/2010 12:30
Date Received: 8/20/2010 09:25

Matrix: Air

Parameters	Results	Units	Footnotes	RDL	MDL	Method	Prepared By	Analyzed	By	Cntr
VOLATILE ORGANICS @ STP										
Acetone	6.1	ppbv		0.50	0.20	TO-15		8/27/10 06:26	JSS	A
Acrylonitrile	0.50 U	ppbv		0.50	0.20	TO-15		8/27/10 06:26	JSS	A
tert-Amyl methyl ether	0.50 U	ppbv		0.50	0.20	TO-15		8/27/10 06:26	JSS	A
Benzene	0.50 U	ppbv		0.50	0.20	TO-15		8/27/10 06:26	JSS	A
Benzyl Chloride	0.50 U	ppbv		0.50	0.20	TO-15		8/27/10 06:26	JSS	A
Bromodichloromethane	0.50 U	ppbv		0.50	0.20	TO-15		8/27/10 06:26	JSS	A
Bromoform	0.50 U	ppbv		0.50	0.20	TO-15		8/27/10 06:26	JSS	A
Bromomethane	0.50 U	ppbv		0.50	0.20	TO-15		8/27/10 06:26	JSS	A
1,3-Butadiene	0.50 U	ppbv		0.50	0.20	TO-15		8/27/10 06:26	JSS	A
2-Butanone	0.97	ppbv		0.50	0.20	TO-15		8/27/10 06:26	JSS	A
tert.- Butyl Alcohol	0.50 U	ppbv		0.50	0.20	TO-15		8/27/10 06:26	JSS	A
Carbon Disulfide	0.50 U	ppbv		0.50	0.20	TO-15		8/27/10 06:26	JSS	A
Carbon Tetrachloride	0.50 U	ppbv		0.50	0.20	TO-15		8/27/10 06:26	JSS	A
Chlorobenzene	0.50 U	ppbv		0.50	0.20	TO-15		8/27/10 06:26	JSS	A
Chlorodibromomethane	0.50 U	ppbv		0.50	0.20	TO-15		8/27/10 06:26	JSS	A
Chloroethane	0.50 U	ppbv		0.50	0.20	TO-15		8/27/10 06:26	JSS	A
Chloroform	0.50 U	ppbv		0.50	0.20	TO-15		8/27/10 06:26	JSS	A
Chloromethane	0.50 U	ppbv		0.50	0.20	TO-15		8/27/10 06:26	JSS	A
3-Chloro-1-propene	0.50 U	ppbv		0.50	0.20	TO-15		8/27/10 06:26	JSS	A
o-Chlorotoluene	0.50 U	ppbv		0.50	0.20	TO-15		8/27/10 06:26	JSS	A
Cyclohexane	0.50 U	ppbv		0.50	0.20	TO-15		8/27/10 06:26	JSS	A
1,2-Dibromoethane	0.50 U	ppbv		0.50	0.20	TO-15		8/27/10 06:26	JSS	A
1,2-Dichlorobenzene	0.50 U	ppbv		0.50	0.20	TO-15		8/27/10 06:26	JSS	A
1,3-Dichlorobenzene	0.50 U	ppbv		0.50	0.20	TO-15		8/27/10 06:26	JSS	A
1,4-Dichlorobenzene	0.50 U	ppbv		0.50	0.20	TO-15		8/27/10 06:26	JSS	A
Dichlorodifluoromethane	0.28J	ppbv		0.50	0.20	TO-15		8/27/10 06:26	JSS	A
1,1-Dichloroethane	2.8	ppbv		0.50	0.20	TO-15		8/27/10 06:26	JSS	A
1,2-Dichloroethane	0.50 U	ppbv		0.50	0.20	TO-15		8/27/10 06:26	JSS	A
1,1-Dichloroethene	1.4	ppbv		0.50	0.20	TO-15		8/27/10 06:26	JSS	A
cis-1,2-Dichloroethene	2.8	ppbv		0.50	0.20	TO-15		8/27/10 06:26	JSS	A
trans-1,2-Dichloroethene	0.50 U	ppbv		0.50	0.20	TO-15		8/27/10 06:26	JSS	A
1,2-Dichloropropane	0.50 U	ppbv		0.50	0.20	TO-15		8/27/10 06:26	JSS	A
cis-1,3-Dichloropropene	0.50 U	ppbv		0.50	0.20	TO-15		8/27/10 06:26	JSS	A
trans-1,3-Dichloropropene	0.50 U	ppbv		0.50	0.20	TO-15		8/27/10 06:26	JSS	A
1,3-Dichloropropene, Total	1.0 U	ppbv		1.0	0.40	TO-15		8/27/10 06:26	JSS	A
Diisopropyl ether	0.50 U	ppbv		0.50	0.20	TO-15		8/27/10 06:26	JSS	A
1,4-Dioxane	0.50 U	ppbv		0.50	0.20	TO-15		8/27/10 06:26	JSS	A
Ethyl Acetate	0.50 U	ppbv		0.50	0.20	TO-15		8/27/10 06:26	JSS	A
Ethyl tert-butyl ether	0.50 U	ppbv		0.50	0.20	TO-15		8/27/10 06:26	JSS	A
Ethylbenzene	0.50 U	ppbv		0.50	0.20	TO-15		8/27/10 06:26	JSS	A
4-Ethyltoluene	0.50 U	ppbv		0.50	0.20	TO-15		8/27/10 06:26	JSS	A
Freon 113	0.83	ppbv		0.50	0.20	TO-15		8/27/10 06:26	JSS	A
Freon-114	0.50 U	ppbv		0.50	0.20	TO-15		8/27/10 06:26	JSS	A
Heptane	0.50 U	ppbv		0.50	0.20	TO-15		8/27/10 06:26	JSS	A
Hexachlorobutadiene	0.50 U	ppbv		0.50	0.20	TO-15		8/27/10 06:26	JSS	A
Hexane	0.50 U	ppbv		0.50	0.20	TO-15		8/27/10 06:26	JSS	A



ANALYTICAL RESULTS

Workorder: 9861460 Site 1 Bethpage NY

Lab ID: **9861460003**
Sample ID: **SVE TE - 081910**

Date Collected: 8/19/2010 12:30
Date Received: 8/20/2010 09:25

Matrix: Air

Parameters	Results	Units	Footnotes	RDL	MDL	Method	Prepared	By	Analyzed	By	Cntr
2-Hexanone	0.50 U	ppbv		0.50	0.20	TO-15			8/27/10 06:26	JSS	A
Isopropyl Alcohol	0.50 U	ppbv		0.50	0.20	TO-15			8/27/10 06:26	JSS	A
Isopropylbenzene	5.8	ppbv		0.50	0.20	TO-15			8/27/10 06:26	JSS	A
p-Isopropyltoluene	0.50 U	ppbv		0.50	0.20	TO-15			8/27/10 06:26	JSS	A
Methyl t-Butyl Ether	0.50 U	ppbv		0.50	0.20	TO-15			8/27/10 06:26	JSS	A
4-Methyl-2-Pentanone(MIBK)	0.50 U	ppbv		0.50	0.20	TO-15			8/27/10 06:26	JSS	A
Methylene Chloride	0.43J	ppbv		0.50	0.20	TO-15			8/27/10 06:26	JSS	A
Naphthalene	0.50 U	ppbv		0.50	0.20	TO-15			8/27/10 06:26	JSS	A
iso-Octane	0.50 U	ppbv		0.50	0.20	TO-15			8/27/10 06:26	JSS	A
n-Propylbenzene	0.50 U	ppbv		0.50	0.20	TO-15			8/27/10 06:26	JSS	A
Propylene	0.50 U	ppbv		0.50	0.20	TO-15			8/27/10 06:26	JSS	A
Styrene	0.50 U	ppbv		0.50	0.20	TO-15			8/27/10 06:26	JSS	A
1,1,2,2-Tetrachloroethane	0.50 U	ppbv		0.50	0.20	TO-15			8/27/10 06:26	JSS	A
Tetrachloroethene	0.50 U	ppbv		0.50	0.20	TO-15			8/27/10 06:26	JSS	A
Tetrahydrofuran	2.0	ppbv		0.50	0.20	TO-15			8/27/10 06:26	JSS	A
Toluene	0.50 U	ppbv		0.50	0.20	TO-15			8/27/10 06:26	JSS	A
Total Xylenes	1.5 U	ppbv		1.5	0.60	TO-15			8/27/10 06:26	JSS	A
1,2,4-Trichlorobenzene	0.50 U	ppbv		0.50	0.20	TO-15			8/27/10 06:26	JSS	A
1,1,1-Trichloroethane	0.40J	ppbv		0.50	0.20	TO-15			8/27/10 06:26	JSS	A
1,1,2-Trichloroethane	0.50 U	ppbv		0.50	0.20	TO-15			8/27/10 06:26	JSS	A
Trichloroethene	0.50 U	ppbv		0.50	0.20	TO-15			8/27/10 06:26	JSS	A
Trichlorofluoromethane	0.33J	ppbv		0.50	0.20	TO-15			8/27/10 06:26	JSS	A
1,2,3-Trichloropropane	0.50 U	ppbv		0.50	0.20	TO-15			8/27/10 06:26	JSS	A
1,2,4-Trimethylbenzene	0.50 U	ppbv		0.50	0.20	TO-15			8/27/10 06:26	JSS	A
1,3,5-Trimethylbenzene	0.50 U	ppbv		0.50	0.20	TO-15			8/27/10 06:26	JSS	A
1,2,3-Trimethylbenzene	0.50 U	ppbv		0.50	0.20	TO-15			8/27/10 06:26	JSS	A
Vinyl Acetate	0.50 U	ppbv		0.50	0.20	TO-15			8/27/10 06:26	JSS	A
Vinyl Bromide	0.50 U	ppbv		0.50	0.20	TO-15			8/27/10 06:26	JSS	A
Vinyl Chloride	0.50 U	ppbv		0.50	0.20	TO-15			8/27/10 06:26	JSS	A
o-Xylene	0.50 U	ppbv		0.50	0.20	TO-15			8/27/10 06:26	JSS	A
mp-Xylene	1.0 U	ppbv		1.0	0.40	TO-15			8/27/10 06:26	JSS	A
Acetone	14.5	ug/m3		1.2	0.48	TO-15			8/27/10 06:26	JSS	A
Acrylonitrile	1.1 U	ug/m3		1.1	0.43	TO-15			8/27/10 06:26	JSS	A
tert-Amyl methyl ether	2.1 U	ug/m3		2.1	0.84	TO-15			8/27/10 06:26	JSS	A
Benzene	1.6 U	ug/m3		1.6	0.64	TO-15			8/27/10 06:26	JSS	A
Benzyl Chloride	2.6 U	ug/m3		2.6	1.0	TO-15			8/27/10 06:26	JSS	A
Bromodichloromethane	3.4 U	ug/m3		3.4	1.3	TO-15			8/27/10 06:26	JSS	A
Bromoform	5.2 U	ug/m3		5.2	2.1	TO-15			8/27/10 06:26	JSS	A
Bromomethane	1.9 U	ug/m3		1.9	0.78	TO-15			8/27/10 06:26	JSS	A
1,3-Butadiene	1.1 U	ug/m3		1.1	0.44	TO-15			8/27/10 06:26	JSS	A
2-Butanone	2.9	ug/m3		1.5	0.59	TO-15			8/27/10 06:26	JSS	A
tert.- Butyl Alcohol	1.5 U	ug/m3		1.5	0.61	TO-15			8/27/10 06:26	JSS	A
Carbon Disulfide	1.6 U	ug/m3		1.6	0.62	TO-15			8/27/10 06:26	JSS	A
Carbon Tetrachloride	3.1 U	ug/m3		3.1	1.3	TO-15			8/27/10 06:26	JSS	A
Chlorobenzene	2.3 U	ug/m3		2.3	0.92	TO-15			8/27/10 06:26	JSS	A
Chlorodibromomethane	4.3 U	ug/m3		4.3	1.7	TO-15			8/27/10 06:26	JSS	A



ANALYTICAL RESULTS

Workorder: 9861460 Site 1 Bethpage NY

Lab ID: **9861460003**
Sample ID: **SVE TE - 081910**

Date Collected: 8/19/2010 12:30
Date Received: 8/20/2010 09:25

Matrix: Air

Parameters	Results	Units	Footnotes	RDL	MDL	Method	Prepared By	Analyzed	By	Cntr
Chloroethane	1.3 U	ug/m3		1.3	0.53	TO-15		8/27/10 06:26	JSS	A
Chloroform	2.4 U	ug/m3		2.4	0.98	TO-15		8/27/10 06:26	JSS	A
Chloromethane	1.0 U	ug/m3		1.0	0.41	TO-15		8/27/10 06:26	JSS	A
3-Chloro-1-propene	1.6 U	ug/m3		1.6	0.63	TO-15		8/27/10 06:26	JSS	A
o-Chlorotoluene	2.6 U	ug/m3		2.6	1.0	TO-15		8/27/10 06:26	JSS	A
Cyclohexane	1.7 U	ug/m3		1.7	0.69	TO-15		8/27/10 06:26	JSS	A
1,2-Dibromoethane	3.8 U	ug/m3		3.8	1.5	TO-15		8/27/10 06:26	JSS	A
1,2-Dichlorobenzene	3.0 U	ug/m3		3.0	1.2	TO-15		8/27/10 06:26	JSS	A
1,3-Dichlorobenzene	3.0 U	ug/m3		3.0	1.2	TO-15		8/27/10 06:26	JSS	A
1,4-Dichlorobenzene	3.0 U	ug/m3		3.0	1.2	TO-15		8/27/10 06:26	JSS	A
Dichlorodifluoromethane	1.4J	ug/m3		2.5	0.99	TO-15		8/27/10 06:26	JSS	A
1,1-Dichloroethane	11.2	ug/m3		2.0	0.81	TO-15		8/27/10 06:26	JSS	A
1,2-Dichloroethane	2.0 U	ug/m3		2.0	0.81	TO-15		8/27/10 06:26	JSS	A
1,1-Dichloroethene	5.5	ug/m3		2.0	0.79	TO-15		8/27/10 06:26	JSS	A
cis-1,2-Dichloroethene	11.0	ug/m3		2.0	0.79	TO-15		8/27/10 06:26	JSS	A
trans-1,2-Dichloroethene	2.0 U	ug/m3		2.0	0.79	TO-15		8/27/10 06:26	JSS	A
1,2-Dichloropropane	2.3 U	ug/m3		2.3	0.92	TO-15		8/27/10 06:26	JSS	A
cis-1,3-Dichloropropene	2.3 U	ug/m3		2.3	0.91	TO-15		8/27/10 06:26	JSS	A
trans-1,3-Dichloropropene	2.3 U	ug/m3		2.3	0.91	TO-15		8/27/10 06:26	JSS	A
1,3-Dichloropropene, Total	4.5 U	ug/m3		4.5	1.8	TO-15		8/27/10 06:26	JSS	A
Diisopropyl ether	2.1 U	ug/m3		2.1	0.84	TO-15		8/27/10 06:26	JSS	A
1,4-Dioxane	1.8 U	ug/m3		1.8	0.72	TO-15		8/27/10 06:26	JSS	A
Ethyl Acetate	1.8 U	ug/m3		1.8	0.84	TO-15		8/27/10 06:26	JSS	A
Ethyl tert-butyl ether	2.1 U	ug/m3		2.1	0.84	TO-15		8/27/10 06:26	JSS	A
Ethylbenzene	2.2 U	ug/m3		2.2	0.87	TO-15		8/27/10 06:26	JSS	A
4-Ethyltoluene	2.5 U	ug/m3		2.5	0.98	TO-15		8/27/10 06:26	JSS	A
Freon 113	6.4	ug/m3		3.8	1.5	TO-15		8/27/10 06:26	JSS	A
Freon-114	3.5 U	ug/m3		3.5	1.4	TO-15		8/27/10 06:26	JSS	A
Heptane	2.0 U	ug/m3		2.0	0.82	TO-15		8/27/10 06:26	JSS	A
Hexachlorobutadiene	5.3 U	ug/m3		5.3	2.1	TO-15		8/27/10 06:26	JSS	A
Hexane	1.8 U	ug/m3		1.8	0.70	TO-15		8/27/10 06:26	JSS	A
2-Hexanone	2.1 U	ug/m3		2.1	0.82	TO-15		8/27/10 06:26	JSS	A
Isopropyl Alcohol	1.2 U	ug/m3		1.2	0.49	TO-15		8/27/10 06:26	JSS	A
Isopropylbenzene	28.7	ug/m3		2.5	1.0	TO-15		8/27/10 06:26	JSS	A
p-Isopropyltoluene	2.7 U	ug/m3		2.7	1.1	TO-15		8/27/10 06:26	JSS	A
Methyl t-Butyl Ether	1.8 U	ug/m3		1.8	0.72	TO-15		8/27/10 06:26	JSS	A
4-Methyl-2-Pentanone(MIBK)	2.0 U	ug/m3		2.0	0.82	TO-15		8/27/10 06:26	JSS	A
Methylene Chloride	1.5J	ug/m3		1.7	0.69	TO-15		8/27/10 06:26	JSS	A
Naphthalene	2.6 U	ug/m3		2.6	1.1	TO-15		8/27/10 06:26	JSS	A
iso-Octane	2.3 U	ug/m3		2.3	0.93	TO-15		8/27/10 06:26	JSS	A
n-Propylbenzene	2.5 U	ug/m3		2.5	0.98	TO-15		8/27/10 06:26	JSS	A
Propylene	0.86 U	ug/m3		0.86	0.34	TO-15		8/27/10 06:26	JSS	A
Styrene	2.1 U	ug/m3		2.1	0.85	TO-15		8/27/10 06:26	JSS	A
1,1,2,2-Tetrachloroethane	3.4 U	ug/m3		3.4	1.4	TO-15		8/27/10 06:26	JSS	A
Tetrachloroethene	3.4 U	ug/m3		3.4	1.4	TO-15		8/27/10 06:26	JSS	A
Tetrahydrofuran	6.0	ug/m3		1.5	0.59	TO-15		8/27/10 06:26	JSS	A



ANALYTICAL RESULTS

Workorder: 9861460 Site 1 Bethpage NY

Lab ID: **9861460003**
Sample ID: **SVE TE - 081910**

Date Collected: 8/19/2010 12:30
Date Received: 8/20/2010 09:25

Matrix: Air

Parameters	Results	Units	Footnotes	RDL	MDL	Method	Prepared By	Analyzed	By	Cntr
Toluene	1.9 U	ug/m3		1.9	0.75	TO-15		8/27/10 06:26	JSS	A
Total Xylenes	6.5 U	ug/m3		6.5	2.6	TO-15		8/27/10 06:26	JSS	A
1,2,4-Trichlorobenzene	3.7 U	ug/m3		3.7	1.5	TO-15		8/27/10 06:26	JSS	A
1,1,1-Trichloroethane	2.2J	ug/m3		2.7	1.1	TO-15		8/27/10 06:26	JSS	A
1,1,2-Trichloroethane	2.7 U	ug/m3		2.7	1.1	TO-15		8/27/10 06:26	JSS	A
Trichloroethene	2.7 U	ug/m3		2.7	1.1	TO-15		8/27/10 06:26	JSS	A
Trichlorofluoromethane	1.8J	ug/m3		2.8	1.1	TO-15		8/27/10 06:26	JSS	A
1,2,3-Trichloropropane	3.0 U	ug/m3		3.0	1.2	TO-15		8/27/10 06:26	JSS	A
1,2,4-Trimethylbenzene	2.5 U	ug/m3		2.5	0.98	TO-15		8/27/10 06:26	JSS	A
1,3,5-Trimethylbenzene	2.5 U	ug/m3		2.5	0.98	TO-15		8/27/10 06:26	JSS	A
1,2,3-Trimethylbenzene	2.5 U	ug/m3		2.5	0.98	TO-15		8/27/10 06:26	JSS	A
Vinyl Acetate	1.8 U	ug/m3		1.8	0.70	TO-15		8/27/10 06:26	JSS	A
Vinyl Bromide	2.2 U	ug/m3		2.2	0.87	TO-15		8/27/10 06:26	JSS	A
Vinyl Chloride	1.3 U	ug/m3		1.3	0.51	TO-15		8/27/10 06:26	JSS	A
o-Xylene	2.2 U	ug/m3		2.2	0.87	TO-15		8/27/10 06:26	JSS	A
mp-Xylenes	4.3 U	ug/m3		4.3	1.7	TO-15		8/27/10 06:26	JSS	A
<i>Surrogate Recoveries</i>	<i>Results</i>	<i>Units</i>	<i>Footnotes</i>	<i>Limits</i>		<i>Method</i>	<i>Prepared By</i>	<i>Analyzed</i>	<i>By</i>	<i>Cntr</i>
4-Bromofluorobenzene (S)	93.3	%		70-130		TO-15		8/27/10 06:26	JSS	A

Sample Comments:

Anna G Milliken
Laboratory Manager



Analytical Laboratory Services, Inc.

Environmental • Industrial Hygiene • Field Services

34 Dogwood Lane • Middletown, PA 17057 • 717.944.5541 • Fax: 717.944.1430

AIR ANALYSIS CHAIN-OF-CUSTODY/REQUEST FOR ANALYSIS

ALL SHADED AREAS MUST BE COMPLETED BY THE CLIENT / SAMPLER. INSTRUCTIONS ON THE BACK.



of

1. CLIENT INFORMATION

Client Name/Address: ELOR SOLUTIONS

Contact: MASS LARD

Phone: 717-240-3037

Project Name/Address: Site 1 Rain Page 1

BHL To:

TAT: Normal-Standard TAT is 10-12 business days. Rush-Subject to ALSI approval and surcharges.

Date Required: _____ Approved By: _____

Email: MassLard@elorsolutions.com

Fax: 717-240-3037

2. ANALYSES/METHOD REQUESTED

No.	TO-15 Analysis	STD LIST	UST LIST	OTHER	TO-13 Analysis	STD LIST	OTHER	COMMENTS
1								
2								
3								
4								
5								
6								
7								
8								
9								
10								

Cooler Temp: 24°C Therm. ID: 01332724

No. of Coolers: _____ Y N Initial

Custody Seals Present? X TES

(if present) Seals Intact?

(TO-13) Received on Ice? X

COC/Labels Complete/Accurate? X

Cont. in Good Cond.? X

Correct Containers? X

Correct Sample Volumes? X

Courier/Tracking #: 851779181609

3. FIELD DATA SHEET

SAMPLE INFORMATION FOR BOTH TO-15 AND TO-13				TO-15 FIELD DATA				TO-13 FIELD DATA					
Sample Description/Location (as it will appear on the lab report)	Sample Date	Start Time	Stop Time	Temp Deg C	1L	6L	Canister No.	Flow Controller No.	Ending Canister Pressure ("Hg)	PUF No.	Pump No.	Pump Flow Rate	Total Volume
<u>1 SVE TIE - 08/19/10 - 01</u>	<u>8/19/10</u>	<u>1200</u>	<u>1300</u>	<u>13</u>		X	<u>1517</u>	<u>7000935</u>	<u>5</u>				
<u>2 SVE TIE - 08/19/10 - 02</u>	<u>8/19/10</u>	<u>1300</u>	<u>1400</u>	<u>13</u>		X	<u>1191</u>	<u>7000935</u>	<u>5</u>				
<u>3 SVE TIE - 08/19/10</u>	<u>8/19/10</u>	<u>1400</u>	<u>1530</u>	<u>13</u>		X	<u>1053</u>	<u>7000935</u>	<u>5</u>				
4													
5													
6													
7													
8													
9													
10													

4. SAMPLED BY (Please Print) Greg Longan

LOGGED BY (signature): [Signature] DATE: 8/20/10 TIME: 11307

REVIEWED BY (signature): _____ DATE: _____ TIME: _____

5. PROJECT INFORMATION

Relinquished By / Company Name: _____ Date: _____ Time: _____

Received By / Company Name: [Signature] Date: 8/20/10 Time: 1600

ALSI Field Services: Pickup Labor

Composite Sampling Rental Equipment

Other: _____

Deliverables: Standard OLP/10 DOD Other

EB Data Format/Type: _____

Starts Samples Collected In: NY NJ PA NC other

34 Dogwood Lane - Middletown, PA 17057 Phone: 717-944-5541 Fax: 717-944-1430



ANALYTICAL LABORATORY SERVICES, INC.

www.analyticalcallab.com NELAP Accredited PA 22-293 NJ PA010





Certificate of Analysis

Project Name: **BETHPAGE-NY**
Purchase Order:

Workorder: **9866056**
Workorder ID: **EBE003|BETHPAGE-NY**

Mr. Matt Lapp
ECOR Solutions
440 Creamery Way
Suite 150
Exton, PA 19341

October 8, 2010

Dear Mr. Lapp,

Enclosed are the analytical results for samples received by the laboratory on Friday, September 17, 2010

ALSI is a National Environmental Laboratory Accreditation Program (NELAP) accredited laboratory and as such, certifies that all applicable test results meet the requirements of NELAP.

If you have any questions regarding this certificate of analysis, please contact Tonya Hironimus (Project Coordinator) or Anna G Milliken (Laboratory Manager) at (717) 944-5541.

Please visit us at www.analyticallab.com for a listing of ALSI's NELAP accreditations and Scope of Work, as well as other links to Water Quality documentation on the internet.

This laboratory report may not be reproduced, except in full, without the written approval of ALSI.

NOTE: ALSI has changed the report generation tool and while we have tried to retain the existing format, you will notice some changes in the laboratory report. Please feel free to contact ALSI in case you have any questions.

Analytical Laboratory Services, Inc.

This page is included as part of the Analytical Report and must be retained as a permanent record thereof.


Anna G Milliken
Laboratory Manager



SAMPLE SUMMARY

Workorder: 9866056 EBE003|BETHPAGE-NY

Discard Date: 10/22/2010

Lab ID	Sample ID	Matrix	Date Collected	Date Received	Collected By
9866056001	SVE 101I-91610	Air	9/16/10 14:30	9/17/10 09:20	Customer
9866056002	SVE 101D-91610	Air	9/16/10 14:30	9/17/10 09:20	Customer
9866056003	SVE 102I-91610	Air	9/16/10 14:00	9/17/10 09:20	Customer
9866056004	SVE 102D-91610	Air	9/16/10 14:30	9/17/10 09:20	Customer
9866056005	SVE 103I-91610	Air	9/16/10 14:00	9/17/10 09:20	Customer
9866056006	SVE 103D-91610	Air	9/16/10 14:30	9/17/10 09:20	Customer
9866056007	SVE 104I-91610	Air	9/16/10 14:30	9/17/10 09:20	Customer
9866056008	SVE 104D-91610	Air	9/16/10 14:30	9/17/10 09:20	Customer
9866056009	SVE 105I-91610	Air	9/16/10 14:30	9/17/10 09:20	Customer
9866056010	SVE 105D-91610	Air	9/16/10 14:30	9/17/10 09:20	Customer

Workorder Comments:

Notes

- Samples collected by ALSI personnel are done so in accordance with the procedures set forth in the ALSI Field Sampling Plan (20 - Field Services Sampling Plan).
- All Waste Water analyses comply with methodology requirements of 40 CFR Part 136.
- All Drinking Water analyses comply with methodology requirements of 40 CFR Part 141.
- Unless otherwise noted, all quantitative results for soils are reported on a dry weight basis.
- The Chain of Custody document is included as part of this report.

Standard Acronyms/Flags

- J, B Indicates an estimated value between the Method Detection Limit (MDL) and the Practical Quantitation Limit (PQL) for the analyte
- U Indicates that the analyte was Not Detected (ND)
- N Indicates presumptive evidence of the presence of a compound
- MDL Method Detection Limit
- PQL Practical Quantitation Limit
- RDL Reporting Detection Limit
- ND Not Detected - indicates that the analyte was Not Detected at the RDL
- Cntr Analysis was performed using this container
- RegLmt Regulatory Limit
- LCS Laboratory Control Sample
- MS Matrix Spike
- MSD Matrix Spike Duplicate
- DUP Sample Duplicate
- %Rec Percent Recovery
- RPD Relative Percent Difference



ANALYTICAL RESULTS

Workorder: 9866056 EBE003|BETHPAGE-NY

Lab ID: **9866056001**
Sample ID: **SVE 1011-91610**

Date Collected: 9/16/2010 14:30
Date Received: 9/17/2010 09:20

Matrix: Air

Parameters	Results	Units	Footnotes	RDL	MDL	Method	Prepared By	Analyzed	By	Cntr
VOLATILE ORGANICS @ STP										
Acetone	3.8	ppbv	1	0.20	0.034	TO-15		9/29/10 21:26	JEA	A
Acrylonitrile	0.20 U	ppbv		0.20	0.016	TO-15		9/29/10 21:26	JEA	A
tert-Amyl methyl ether	0.20 U	ppbv		0.20	0.012	TO-15		9/29/10 21:26	JEA	A
Benzene	0.39	ppbv		0.20	0.021	TO-15		9/29/10 21:26	JEA	A
Benzyl Chloride	0.20 U	ppbv		0.20	0.015	TO-15		9/29/10 21:26	JEA	A
Bromodichloromethane	3.5	ppbv		0.20	0.012	TO-15		9/29/10 21:26	JEA	A
Bromoform	0.20 U	ppbv		0.20	0.010	TO-15		9/29/10 21:26	JEA	A
Bromomethane	0.20 U	ppbv		0.20	0.021	TO-15		9/29/10 21:26	JEA	A
1,3-Butadiene	0.20 U	ppbv		0.20	0.053	TO-15		9/29/10 21:26	JEA	A
n-Butane	0.32	ppbv		0.20	0.030	TO-15		9/29/10 21:26	JEA	A
2-Butanone	1.1	ppbv		0.20	0.017	TO-15		9/29/10 21:26	JEA	A
tert.- Butyl Alcohol	0.20 U	ppbv		0.20	0.014	TO-15		9/29/10 21:26	JEA	A
Carbon Disulfide	0.20 U	ppbv		0.20	0.013	TO-15		9/29/10 21:26	JEA	A
Carbon Tetrachloride	0.32	ppbv		0.20	0.014	TO-15		9/29/10 21:26	JEA	A
Chlorobenzene	0.20 U	ppbv		0.20	0.016	TO-15		9/29/10 21:26	JEA	A
Chlorodibromomethane	0.20 U	ppbv		0.20	0.0080	TO-15		9/29/10 21:26	JEA	A
Chloroethane	0.20 U	ppbv		0.20	0.018	TO-15		9/29/10 21:26	JEA	A
Chloroform	0.34	ppbv		0.20	0.0080	TO-15		9/29/10 21:26	JEA	A
Chloromethane	0.52	ppbv		0.20	0.018	TO-15		9/29/10 21:26	JEA	A
3-Chloro-1-propene	0.20 U	ppbv		0.20	0.014	TO-15		9/29/10 21:26	JEA	A
o-Chlorotoluene	0.20 U	ppbv		0.20	0.017	TO-15		9/29/10 21:26	JEA	A
Cyclohexane	0.20 U	ppbv		0.20	0.011	TO-15		9/29/10 21:26	JEA	A
1,2-Dibromoethane	0.20 U	ppbv		0.20	0.010	TO-15		9/29/10 21:26	JEA	A
1,2-Dichlorobenzene	0.20 U	ppbv		0.20	0.0090	TO-15		9/29/10 21:26	JEA	A
1,3-Dichlorobenzene	0.20 U	ppbv		0.20	0.015	TO-15		9/29/10 21:26	JEA	A
1,4-Dichlorobenzene	0.20 U	ppbv		0.20	0.013	TO-15		9/29/10 21:26	JEA	A
Dichlorodifluoromethane	0.66	ppbv		0.20	0.011	TO-15		9/29/10 21:26	JEA	A
1,1-Dichloroethane	3.4	ppbv		0.20	0.014	TO-15		9/29/10 21:26	JEA	A
1,2-Dichloroethane	1.1	ppbv		0.20	0.016	TO-15		9/29/10 21:26	JEA	A
1,1-Dichloroethene	1.1	ppbv		0.20	0.017	TO-15		9/29/10 21:26	JEA	A
cis-1,2-Dichloroethene	2.3	ppbv	2	0.20	0.036	TO-15		9/29/10 21:26	JEA	A
trans-1,2-Dichloroethene	0.20 U	ppbv		0.20	0.010	TO-15		9/29/10 21:26	JEA	A
1,2-Dichloropropane	0.20 U	ppbv		0.20	0.016	TO-15		9/29/10 21:26	JEA	A
cis-1,3-Dichloropropene	0.20 U	ppbv		0.20	0.013	TO-15		9/29/10 21:26	JEA	A
trans-1,3-Dichloropropene	0.20 U	ppbv		0.20	0.013	TO-15		9/29/10 21:26	JEA	A
1,3-Dichloropropene, Total	0.20 U	ppbv		0.20	0.10	TO-15		9/29/10 21:26	JEA	A
Diisopropyl ether	0.20 U	ppbv	3	0.20	0.14	TO-15		9/29/10 21:26	JEA	A
1,4-Dioxane	0.20 U	ppbv		0.20	0.021	TO-15		9/29/10 21:26	JEA	A
Ethanol	2.5	ppbv	4	0.20	0.083	TO-15		9/29/10 21:26	JEA	A
Ethyl Acetate	0.20 U	ppbv		0.20	0.14	TO-15		9/29/10 21:26	JEA	A
Ethyl tert-butyl ether	0.20 U	ppbv		0.20	0.014	TO-15		9/29/10 21:26	JEA	A
Ethylbenzene	0.62	ppbv		0.20	0.0090	TO-15		9/29/10 21:26	JEA	A
4-Ethyltoluene	0.70	ppbv		0.20	0.012	TO-15		9/29/10 21:26	JEA	A
Freon 113	0.20 U	ppbv		0.20	0.014	TO-15		9/29/10 21:26	JEA	A
Freon-114	0.20 U	ppbv		0.20	0.019	TO-15		9/29/10 21:26	JEA	A
Heptane	0.20 U	ppbv		0.20	0.021	TO-15		9/29/10 21:26	JEA	A



ANALYTICAL RESULTS

Workorder: 9866056 EBE003|BETHPAGE-NY

Lab ID: **9866056001**
Sample ID: **SVE 1011-91610**

Date Collected: 9/16/2010 14:30
Date Received: 9/17/2010 09:20

Matrix: Air

Parameters	Results	Units	Footnotes	RDL	MDL	Method	Prepared By	Analyzed	By	Cntr
Hexachlorobutadiene	0.20 U	ppbv		0.20	0.019	TO-15		9/29/10 21:26	JEA	A
Hexane	0.35	ppbv		0.20	0.014	TO-15		9/29/10 21:26	JEA	A
2-Hexanone	0.20 U	ppbv		0.20	0.012	TO-15		9/29/10 21:26	JEA	A
Isopropyl Alcohol	0.20 U	ppbv		0.20	0.018	TO-15		9/29/10 21:26	JEA	A
Isopropylbenzene	0.20 U	ppbv		0.20	0.012	TO-15		9/29/10 21:26	JEA	A
p-Isopropyltoluene	0.20 U	ppbv		0.20	0.014	TO-15		9/29/10 21:26	JEA	A
Methyl methacrylate	0.20 U	ppbv		0.20	0.015	TO-15		9/29/10 21:26	JEA	A
Methyl t-Butyl Ether	0.20 U	ppbv		0.20	0.012	TO-15		9/29/10 21:26	JEA	A
4-Methyl-2-Pentanone(MIBK)	0.20 U	ppbv		0.20	0.018	TO-15		9/29/10 21:26	JEA	A
Methylene Chloride	0.20 U	ppbv	5	0.20	0.013	TO-15		9/29/10 21:26	JEA	A
Naphthalene	0.78	ppbv		0.20	0.027	TO-15		9/29/10 21:26	JEA	A
iso-Octane	0.36	ppbv		0.20	0.011	TO-15		9/29/10 21:26	JEA	A
n-Propylbenzene	0.49	ppbv		0.20	0.014	TO-15		9/29/10 21:26	JEA	A
Propylene	0.20 U	ppbv		0.20	0.019	TO-15		9/29/10 21:26	JEA	A
Styrene	0.20 U	ppbv		0.20	0.015	TO-15		9/29/10 21:26	JEA	A
1,1,2,2-Tetrachloroethane	0.20 U	ppbv		0.20	0.015	TO-15		9/29/10 21:26	JEA	A
Tetrachloroethene	5.3	ppbv		0.20	0.011	TO-15		9/29/10 21:26	JEA	A
Tetrahydrofuran	1.3	ppbv		0.20	0.011	TO-15		9/29/10 21:26	JEA	A
Toluene	0.80	ppbv		0.20	0.0090	TO-15		9/29/10 21:26	JEA	A
Total Xylenes	3.1	ppbv		0.20	0.10	TO-15		9/29/10 21:26	JEA	A
1,2,4-Trichlorobenzene	0.20 U	ppbv		0.20	0.019	TO-15		9/29/10 21:26	JEA	A
1,1,1-Trichloroethane	82	ppbv		2.0	0.14	TO-15		9/28/10 01:31	JSS	A
1,1,2-Trichloroethane	0.61	ppbv		0.20	0.016	TO-15		9/29/10 21:26	JEA	A
Trichloroethene	230	ppbv		2.0	0.11	TO-15		9/28/10 01:31	JSS	A
Trichlorofluoromethane	0.40	ppbv		0.20	0.013	TO-15		9/29/10 21:26	JEA	A
1,2,3-Trichloropropane	0.20 U	ppbv		0.20	0.017	TO-15		9/29/10 21:26	JEA	A
1,2,4-Trimethylbenzene	3.1	ppbv		0.20	0.013	TO-15		9/29/10 21:26	JEA	A
1,3,5-Trimethylbenzene	0.82	ppbv		0.20	0.014	TO-15		9/29/10 21:26	JEA	A
1,2,3-Trimethylbenzene	1.1	ppbv		0.20	0.010	TO-15		9/29/10 21:26	JEA	A
Vinyl Acetate	0.42	ppbv		0.20	0.016	TO-15		9/29/10 21:26	JEA	A
Vinyl Bromide	0.20 U	ppbv		0.20	0.016	TO-15		9/29/10 21:26	JEA	A
Vinyl Chloride	0.20 U	ppbv		0.20	0.016	TO-15		9/29/10 21:26	JEA	A
o-Xylene	1.0	ppbv		0.20	0.012	TO-15		9/29/10 21:26	JEA	A
mp-Xylene	2.0	ppbv		0.40	0.022	TO-15		9/29/10 21:26	JEA	A
Acetone	9	ug/m3		0.5	0.08	TO-15		9/29/10 21:26	JEA	A
Acrylonitrile	0.4 U	ug/m3		0.4	0.04	TO-15		9/29/10 21:26	JEA	A
tert-Amyl methyl ether	0.8 U	ug/m3		0.8	0.05	TO-15		9/29/10 21:26	JEA	A
Benzene	1	ug/m3		0.6	0.07	TO-15		9/29/10 21:26	JEA	A
Benzyl Chloride	1 U	ug/m3		1	0.08	TO-15		9/29/10 21:26	JEA	A
Bromodichloromethane	23	ug/m3		1	0.08	TO-15		9/29/10 21:26	JEA	A
Bromoform	2 U	ug/m3		2	0.1	TO-15		9/29/10 21:26	JEA	A
Bromomethane	0.8 U	ug/m3		0.8	0.08	TO-15		9/29/10 21:26	JEA	A
1,3-Butadiene	0.4 U	ug/m3		0.4	0.1	TO-15		9/29/10 21:26	JEA	A
n-Butane	0.8	ug/m3		0.5	0.07	TO-15		9/29/10 21:26	JEA	A
2-Butanone	3	ug/m3		0.6	0.05	TO-15		9/29/10 21:26	JEA	A
tert.- Butyl Alcohol	0.6 U	ug/m3		0.6	0.04	TO-15		9/29/10 21:26	JEA	A



ANALYTICAL RESULTS

Workorder: 9866056 EBE003|BETHPAGE-NY

Lab ID: **9866056001**
Sample ID: **SVE 1011-91610**

Date Collected: 9/16/2010 14:30
Date Received: 9/17/2010 09:20

Matrix: Air

Parameters	Results	Units	Footnotes	RDL	MDL	Method	Prepared By	Analyzed	By	Cntr
Carbon Disulfide	0.6 U	ug/m3		0.6	0.04	TO-15		9/29/10 21:26	JEA	A
Carbon Tetrachloride	2	ug/m3		1	0.09	TO-15		9/29/10 21:26	JEA	A
Chlorobenzene	0.9 U	ug/m3		0.9	0.07	TO-15		9/29/10 21:26	JEA	A
Chlorodibromomethane	2 U	ug/m3		2	0.07	TO-15		9/29/10 21:26	JEA	A
Chloroethane	0.5 U	ug/m3		0.5	0.05	TO-15		9/29/10 21:26	JEA	A
Chloroform	2	ug/m3		1	0.04	TO-15		9/29/10 21:26	JEA	A
Chloromethane	1	ug/m3		0.4	0.04	TO-15		9/29/10 21:26	JEA	A
3-Chloro-1-propene	0.6 U	ug/m3		0.6	0.04	TO-15		9/29/10 21:26	JEA	A
o-Chlorotoluene	1 U	ug/m3		1	0.09	TO-15		9/29/10 21:26	JEA	A
Cyclohexane	0.7 U	ug/m3		0.7	0.04	TO-15		9/29/10 21:26	JEA	A
1,2-Dibromoethane	2 U	ug/m3		2	0.08	TO-15		9/29/10 21:26	JEA	A
1,2-Dichlorobenzene	1 U	ug/m3		1	0.05	TO-15		9/29/10 21:26	JEA	A
1,3-Dichlorobenzene	1 U	ug/m3		1	0.09	TO-15		9/29/10 21:26	JEA	A
1,4-Dichlorobenzene	1 U	ug/m3		1	0.08	TO-15		9/29/10 21:26	JEA	A
Dichlorodifluoromethane	3	ug/m3		1	0.05	TO-15		9/29/10 21:26	JEA	A
1,1-Dichloroethane	14	ug/m3		0.8	0.06	TO-15		9/29/10 21:26	JEA	A
1,2-Dichloroethane	4	ug/m3		0.8	0.07	TO-15		9/29/10 21:26	JEA	A
1,1-Dichloroethene	4	ug/m3		0.8	0.07	TO-15		9/29/10 21:26	JEA	A
cis-1,2-Dichloroethene	9	ug/m3		0.8	0.1	TO-15		9/29/10 21:26	JEA	A
trans-1,2-Dichloroethene	0.8 U	ug/m3		0.8	0.04	TO-15		9/29/10 21:26	JEA	A
1,2-Dichloropropane	0.9 U	ug/m3		0.9	0.07	TO-15		9/29/10 21:26	JEA	A
cis-1,3-Dichloropropene	0.9 U	ug/m3		0.9	0.06	TO-15		9/29/10 21:26	JEA	A
trans-1,3-Dichloropropene	0.9 U	ug/m3		0.9	0.06	TO-15		9/29/10 21:26	JEA	A
1,3-Dichloropropene, Total	0.9 U	ug/m3		0.9	0.1	TO-15		9/29/10 21:26	JEA	A
Diisopropyl ether	0.8 U	ug/m3		0.8	0.6	TO-15		9/29/10 21:26	JEA	A
1,4-Dioxane	0.7 U	ug/m3		0.7	0.08	TO-15		9/29/10 21:26	JEA	A
Ethanol	5	ug/m3		0.4	0.2	TO-15		9/29/10 21:26	JEA	A
Ethyl Acetate	0.8 U	ug/m3		0.8	0.5	TO-15		9/29/10 21:26	JEA	A
Ethyl tert-butyl ether	0.8 U	ug/m3		0.8	0.06	TO-15		9/29/10 21:26	JEA	A
Ethylbenzene	3	ug/m3		0.9	0.04	TO-15		9/29/10 21:26	JEA	A
4-Ethyltoluene	3	ug/m3		1	0.06	TO-15		9/29/10 21:26	JEA	A
Freon 113	2 U	ug/m3		2	0.1	TO-15		9/29/10 21:26	JEA	A
Freon-114	1 U	ug/m3		1	0.1	TO-15		9/29/10 21:26	JEA	A
Heptane	0.8 U	ug/m3		0.8	0.09	TO-15		9/29/10 21:26	JEA	A
Hexachlorobutadiene	2 U	ug/m3		2	0.2	TO-15		9/29/10 21:26	JEA	A
Hexane	1	ug/m3		0.7	0.05	TO-15		9/29/10 21:26	JEA	A
2-Hexanone	0.8 U	ug/m3		0.8	0.05	TO-15		9/29/10 21:26	JEA	A
Isopropyl Alcohol	0.5 U	ug/m3		0.5	0.04	TO-15		9/29/10 21:26	JEA	A
Isopropylbenzene	1 U	ug/m3		1	0.06	TO-15		9/29/10 21:26	JEA	A
p-Isopropyltoluene	1 U	ug/m3		1	0.08	TO-15		9/29/10 21:26	JEA	A
Methyl Methacrylate	0.8 U	ug/m3		0.8	0.06	TO-15		9/29/10 21:26	JEA	A
Methyl t-Butyl Ether	0.7 U	ug/m3		0.7	0.04	TO-15		9/29/10 21:26	JEA	A
4-Methyl-2-Pentanone(MIBK)	0.8 U	ug/m3		0.8	0.07	TO-15		9/29/10 21:26	JEA	A
Methylene Chloride	0.7 U	ug/m3		0.7	0.05	TO-15		9/29/10 21:26	JEA	A
Naphthalene	4	ug/m3		1	0.1	TO-15		9/29/10 21:26	JEA	A
iso-Octane	2	ug/m3		0.9	0.05	TO-15		9/29/10 21:26	JEA	A



ANALYTICAL RESULTS

Workorder: 9866056 EBE003|BETHPAGE-NY

Lab ID: **9866056001**
Sample ID: **SVE 1011-91610**

Date Collected: 9/16/2010 14:30
Date Received: 9/17/2010 09:20

Matrix: Air

Parameters	Results	Units	Footnotes	RDL	MDL	Method	Prepared	By	Analyzed	By	Cntr
n-Propylbenzene	2	ug/m3		1	0.07	TO-15			9/29/10 21:26	JEA	A
Propylene	0.3 U	ug/m3		0.3	0.03	TO-15			9/29/10 21:26	JEA	A
Styrene	0.9 U	ug/m3		0.9	0.06	TO-15			9/29/10 21:26	JEA	A
1,1,2,2-Tetrachloroethane	1 U	ug/m3		1	0.07	TO-15			9/29/10 21:26	JEA	A
Tetrachloroethene	36	ug/m3		1	0.08	TO-15			9/29/10 21:26	JEA	A
Tetrahydrofuran	4	ug/m3		0.6	0.03	TO-15			9/29/10 21:26	JEA	A
Toluene	3	ug/m3		0.8	0.03	TO-15			9/29/10 21:26	JEA	A
Total Xylenes	13	ug/m3		0.9	0.1	TO-15			9/29/10 21:26	JEA	A
1,2,4-Trichlorobenzene	1 U	ug/m3		1	0.1	TO-15			9/29/10 21:26	JEA	A
1,1,1-Trichloroethane	450	ug/m3		11	0.8	TO-15			9/28/10 01:31	JSS	A
1,1,2-Trichloroethane	3	ug/m3		1	0.09	TO-15			9/29/10 21:26	JEA	A
Trichloroethene	1200	ug/m3		11	0.6	TO-15			9/28/10 01:31	JSS	A
Trichlorofluoromethane	2	ug/m3		1	0.07	TO-15			9/29/10 21:26	JEA	A
1,2,3-Trichloropropane	1 U	ug/m3		1	0.1	TO-15			9/29/10 21:26	JEA	A
1,2,4-Trimethylbenzene	15	ug/m3		1	0.06	TO-15			9/29/10 21:26	JEA	A
1,3,5-Trimethylbenzene	4	ug/m3		1	0.07	TO-15			9/29/10 21:26	JEA	A
1,2,3-Trimethylbenzene	6	ug/m3		1	0.05	TO-15			9/29/10 21:26	JEA	A
Vinyl Acetate	1	ug/m3		0.7	0.06	TO-15			9/29/10 21:26	JEA	A
Vinyl Bromide	0.9 U	ug/m3		0.9	0.07	TO-15			9/29/10 21:26	JEA	A
Vinyl Chloride	0.5 U	ug/m3		0.5	0.04	TO-15			9/29/10 21:26	JEA	A
o-Xylene	4	ug/m3		0.9	0.05	TO-15			9/29/10 21:26	JEA	A
mp-Xylenes	9	ug/m3		2	0.1	TO-15			9/29/10 21:26	JEA	A
<i>Surrogate Recoveries</i>	<i>Results</i>	<i>Units</i>	<i>Footnotes</i>	<i>Limits</i>		<i>Method</i>	<i>Prepared</i>	<i>By</i>	<i>Analyzed</i>	<i>By</i>	<i>Cntr</i>
4-Bromofluorobenzene (S)	101	%		70-130		TO-15			9/28/10 01:31	JSS	A
4-Bromofluorobenzene (S)	116	%		70-130		TO-15			9/29/10 21:26	JEA	A

Sample Comments:

One or more of the TO-15 internal standards were recovered slightly below set criteria. The surrogate was within control limits. Sample data does not appear to be impacted. JDA 9/30/10

Anna G Milliken
Laboratory Manager



ANALYTICAL RESULTS

Workorder: 9866056 EBE003|BETHPAGE-NY

Lab ID: **9866056002**
Sample ID: **SVE 101D-91610**

Date Collected: 9/16/2010 14:30
Date Received: 9/17/2010 09:20

Matrix: Air

Parameters	Results	Units	Footnotes	RDL	MDL	Method	Prepared By	Analyzed	By	Cntr
VOLATILE ORGANICS @ STP										
Acetone	7.9	ppbv	6	0.40	0.068	TO-15		10/1/10 07:37	JSS	A
Acrylonitrile	0.40 U	ppbv		0.40	0.032	TO-15		10/1/10 07:37	JSS	A
tert-Amyl methyl ether	0.40 U	ppbv		0.40	0.024	TO-15		10/1/10 07:37	JSS	A
Benzene	0.40 U	ppbv		0.40	0.042	TO-15		10/1/10 07:37	JSS	A
Benzyl Chloride	0.40 U	ppbv		0.40	0.030	TO-15		10/1/10 07:37	JSS	A
Bromodichloromethane	0.40 U	ppbv		0.40	0.024	TO-15		10/1/10 07:37	JSS	A
Bromoform	0.40 U	ppbv		0.40	0.020	TO-15		10/1/10 07:37	JSS	A
Bromomethane	0.40 U	ppbv		0.40	0.042	TO-15		10/1/10 07:37	JSS	A
1,3-Butadiene	0.40 U	ppbv		0.40	0.11	TO-15		10/1/10 07:37	JSS	A
n-Butane	0.40 U	ppbv		0.40	0.060	TO-15		10/1/10 07:37	JSS	A
2-Butanone	0.40 U	ppbv		0.40	0.034	TO-15		10/1/10 07:37	JSS	A
tert.- Butyl Alcohol	0.40 U	ppbv		0.40	0.028	TO-15		10/1/10 07:37	JSS	A
Carbon Disulfide	0.40 U	ppbv		0.40	0.026	TO-15		10/1/10 07:37	JSS	A
Carbon Tetrachloride	0.40 U	ppbv		0.40	0.028	TO-15		10/1/10 07:37	JSS	A
Chlorobenzene	0.40 U	ppbv		0.40	0.032	TO-15		10/1/10 07:37	JSS	A
Chlorodibromomethane	0.40 U	ppbv		0.40	0.016	TO-15		10/1/10 07:37	JSS	A
Chloroethane	0.40 U	ppbv		0.40	0.036	TO-15		10/1/10 07:37	JSS	A
Chloroform	0.40 U	ppbv		0.40	0.016	TO-15		10/1/10 07:37	JSS	A
Chloromethane	0.52	ppbv		0.40	0.036	TO-15		10/1/10 07:37	JSS	A
3-Chloro-1-propene	0.40 U	ppbv		0.40	0.028	TO-15		10/1/10 07:37	JSS	A
o-Chlorotoluene	0.40 U	ppbv		0.40	0.034	TO-15		10/1/10 07:37	JSS	A
Cyclohexane	0.40 U	ppbv		0.40	0.022	TO-15		10/1/10 07:37	JSS	A
1,2-Dibromoethane	0.40 U	ppbv		0.40	0.020	TO-15		10/1/10 07:37	JSS	A
1,2-Dichlorobenzene	0.40 U	ppbv		0.40	0.018	TO-15		10/1/10 07:37	JSS	A
1,3-Dichlorobenzene	0.40 U	ppbv		0.40	0.030	TO-15		10/1/10 07:37	JSS	A
1,4-Dichlorobenzene	0.40 U	ppbv		0.40	0.026	TO-15		10/1/10 07:37	JSS	A
Dichlorodifluoromethane	0.49	ppbv	7	0.40	0.022	TO-15		10/1/10 07:37	JSS	A
1,1-Dichloroethane	0.40 U	ppbv		0.40	0.028	TO-15		10/1/10 07:37	JSS	A
1,2-Dichloroethane	0.40 U	ppbv		0.40	0.032	TO-15		10/1/10 07:37	JSS	A
1,1-Dichloroethene	0.40 U	ppbv		0.40	0.034	TO-15		10/1/10 07:37	JSS	A
cis-1,2-Dichloroethene	0.40 U	ppbv		0.40	0.072	TO-15		10/1/10 07:37	JSS	A
trans-1,2-Dichloroethene	0.40 U	ppbv		0.40	0.020	TO-15		10/1/10 07:37	JSS	A
1,2-Dichloropropane	0.40 U	ppbv		0.40	0.032	TO-15		10/1/10 07:37	JSS	A
cis-1,3-Dichloropropene	0.40 U	ppbv		0.40	0.026	TO-15		10/1/10 07:37	JSS	A
trans-1,3-Dichloropropene	0.40 U	ppbv		0.40	0.026	TO-15		10/1/10 07:37	JSS	A
1,3-Dichloropropene, Total	0.40 U	ppbv		0.40	0.20	TO-15		10/1/10 07:37	JSS	A
Diisopropyl ether	3.3	ppbv	8	0.40	0.28	TO-15		10/1/10 07:37	JSS	A
1,4-Dioxane	0.40 U	ppbv		0.40	0.042	TO-15		10/1/10 07:37	JSS	A
Ethanol	3.6	ppbv	9	0.40	0.17	TO-15		10/1/10 07:37	JSS	A
Ethyl Acetate	3.5	ppbv		0.40	0.28	TO-15		10/1/10 07:37	JSS	A
Ethyl tert-butyl ether	0.40 U	ppbv		0.40	0.028	TO-15		10/1/10 07:37	JSS	A
Ethylbenzene	0.40 U	ppbv		0.40	0.018	TO-15		10/1/10 07:37	JSS	A
4-Ethyltoluene	0.40 U	ppbv		0.40	0.024	TO-15		10/1/10 07:37	JSS	A
Freon 113	0.48	ppbv		0.40	0.028	TO-15		10/1/10 07:37	JSS	A
Freon-114	0.40 U	ppbv		0.40	0.038	TO-15		10/1/10 07:37	JSS	A
Heptane	0.40 U	ppbv		0.40	0.042	TO-15		10/1/10 07:37	JSS	A



ANALYTICAL RESULTS

Workorder: 9866056 EBE003|BETHPAGE-NY

Lab ID: **9866056002**
Sample ID: **SVE 101D-91610**

Date Collected: 9/16/2010 14:30
Date Received: 9/17/2010 09:20

Matrix: Air

Parameters	Results	Units	Footnotes	RDL	MDL	Method	Prepared By	Analyzed	By	Cntr
Hexachlorobutadiene	0.40 U	ppbv		0.40	0.038	TO-15		10/1/10 07:37	JSS	A
Hexane	8.5	ppbv		0.40	0.028	TO-15		10/1/10 07:37	JSS	A
2-Hexanone	0.40 U	ppbv		0.40	0.024	TO-15		10/1/10 07:37	JSS	A
Isopropyl Alcohol	3.7	ppbv	11	0.40	0.036	TO-15		10/1/10 07:37	JSS	A
Isopropylbenzene	0.40 U	ppbv		0.40	0.024	TO-15		10/1/10 07:37	JSS	A
p-Isopropyltoluene	0.40 U	ppbv		0.40	0.028	TO-15		10/1/10 07:37	JSS	A
Methyl methacrylate	0.40 U	ppbv		0.40	0.030	TO-15		10/1/10 07:37	JSS	A
Methyl t-Butyl Ether	1.0	ppbv		0.40	0.024	TO-15		10/1/10 07:37	JSS	A
4-Methyl-2-Pentanone(MIBK)	0.40 U	ppbv		0.40	0.036	TO-15		10/1/10 07:37	JSS	A
Methylene Chloride	44	ppbv		0.40	0.026	TO-15		10/1/10 07:37	JSS	A
Naphthalene	0.40 U	ppbv	13	0.40	0.054	TO-15		10/1/10 07:37	JSS	A
iso-Octane	0.40 U	ppbv		0.40	0.022	TO-15		10/1/10 07:37	JSS	A
n-Propylbenzene	0.40 U	ppbv		0.40	0.028	TO-15		10/1/10 07:37	JSS	A
Propylene	0.40 U	ppbv	14	0.40	0.038	TO-15		10/1/10 07:37	JSS	A
Styrene	0.40 U	ppbv		0.40	0.030	TO-15		10/1/10 07:37	JSS	A
1,1,2,2-Tetrachloroethane	0.40 U	ppbv		0.40	0.030	TO-15		10/1/10 07:37	JSS	A
Tetrachloroethene	0.40 U	ppbv		0.40	0.022	TO-15		10/1/10 07:37	JSS	A
Tetrahydrofuran	0.40 U	ppbv		0.40	0.022	TO-15		10/1/10 07:37	JSS	A
Toluene	0.40 U	ppbv		0.40	0.018	TO-15		10/1/10 07:37	JSS	A
Total Xylenes	0.40 U	ppbv		0.40	0.20	TO-15		10/1/10 07:37	JSS	A
1,2,4-Trichlorobenzene	0.40 U	ppbv		0.40	0.038	TO-15		10/1/10 07:37	JSS	A
1,1,1-Trichloroethane	0.40 U	ppbv		0.40	0.028	TO-15		10/1/10 07:37	JSS	A
1,1,2-Trichloroethane	0.40 U	ppbv		0.40	0.032	TO-15		10/1/10 07:37	JSS	A
Trichloroethene	0.55	ppbv		0.40	0.022	TO-15		10/1/10 07:37	JSS	A
Trichlorofluoromethane	0.40 U	ppbv		0.40	0.026	TO-15		10/1/10 07:37	JSS	A
1,2,3-Trichloropropane	0.40 U	ppbv		0.40	0.034	TO-15		10/1/10 07:37	JSS	A
1,2,4-Trimethylbenzene	0.40 U	ppbv		0.40	0.026	TO-15		10/1/10 07:37	JSS	A
1,3,5-Trimethylbenzene	0.40 U	ppbv		0.40	0.028	TO-15		10/1/10 07:37	JSS	A
1,2,3-Trimethylbenzene	0.40 U	ppbv		0.40	0.020	TO-15		10/1/10 07:37	JSS	A
Vinyl Acetate	0.40 U	ppbv		0.40	0.032	TO-15		10/1/10 07:37	JSS	A
Vinyl Bromide	0.40 U	ppbv		0.40	0.032	TO-15		10/1/10 07:37	JSS	A
Vinyl Chloride	0.40 U	ppbv		0.40	0.032	TO-15		10/1/10 07:37	JSS	A
o-Xylene	0.40 U	ppbv		0.40	0.024	TO-15		10/1/10 07:37	JSS	A
mp-Xylene	0.80 U	ppbv		0.80	0.044	TO-15		10/1/10 07:37	JSS	A
Acetone	19	ug/m3		1	0.2	TO-15		10/1/10 07:37	JSS	A
Acrylonitrile	0.9 U	ug/m3		0.9	0.07	TO-15		10/1/10 07:37	JSS	A
tert-Amyl methyl ether	2 U	ug/m3		2	0.1	TO-15		10/1/10 07:37	JSS	A
Benzene	1 U	ug/m3		1	0.1	TO-15		10/1/10 07:37	JSS	A
Benzyl Chloride	2 U	ug/m3		2	0.2	TO-15		10/1/10 07:37	JSS	A
Bromodichloromethane	3 U	ug/m3		3	0.2	TO-15		10/1/10 07:37	JSS	A
Bromoform	4 U	ug/m3		4	0.2	TO-15		10/1/10 07:37	JSS	A
Bromomethane	2 U	ug/m3		2	0.2	TO-15		10/1/10 07:37	JSS	A
1,3-Butadiene	0.9 U	ug/m3		0.9	0.2	TO-15		10/1/10 07:37	JSS	A
n-Butane	1 U	ug/m3		1	0.1	TO-15		10/1/10 07:37	JSS	A
2-Butanone	1 U	ug/m3		1	0.1	TO-15		10/1/10 07:37	JSS	A
tert.- Butyl Alcohol	1 U	ug/m3		1	0.08	TO-15		10/1/10 07:37	JSS	A



ANALYTICAL RESULTS

Workorder: 9866056 EBE003|BETHPAGE-NY

Lab ID: **9866056002**
Sample ID: **SVE 101D-91610**

Date Collected: 9/16/2010 14:30
Date Received: 9/17/2010 09:20

Matrix: Air

Parameters	Results	Units	Footnotes	RDL	MDL	Method	Prepared By	Analyzed	By	Cntr
Carbon Disulfide	1 U	ug/m3		1	0.08	TO-15		10/1/10 07:37	JSS	A
Carbon Tetrachloride	3 U	ug/m3		3	0.2	TO-15		10/1/10 07:37	JSS	A
Chlorobenzene	2 U	ug/m3		2	0.1	TO-15		10/1/10 07:37	JSS	A
Chlorodibromomethane	3 U	ug/m3		3	0.1	TO-15		10/1/10 07:37	JSS	A
Chloroethane	1 U	ug/m3		1	0.09	TO-15		10/1/10 07:37	JSS	A
Chloroform	2 U	ug/m3		2	0.08	TO-15		10/1/10 07:37	JSS	A
Chloromethane	1	ug/m3		0.8	0.07	TO-15		10/1/10 07:37	JSS	A
3-Chloro-1-propene	1 U	ug/m3		1	0.09	TO-15		10/1/10 07:37	JSS	A
o-Chlorotoluene	2 U	ug/m3		2	0.2	TO-15		10/1/10 07:37	JSS	A
Cyclohexane	1 U	ug/m3		1	0.08	TO-15		10/1/10 07:37	JSS	A
1,2-Dibromoethane	3 U	ug/m3		3	0.2	TO-15		10/1/10 07:37	JSS	A
1,2-Dichlorobenzene	2 U	ug/m3		2	0.1	TO-15		10/1/10 07:37	JSS	A
1,3-Dichlorobenzene	2 U	ug/m3		2	0.2	TO-15		10/1/10 07:37	JSS	A
1,4-Dichlorobenzene	2 U	ug/m3		2	0.2	TO-15		10/1/10 07:37	JSS	A
Dichlorodifluoromethane	2	ug/m3		2	0.1	TO-15		10/1/10 07:37	JSS	A
1,1-Dichloroethane	2 U	ug/m3		2	0.1	TO-15		10/1/10 07:37	JSS	A
1,2-Dichloroethane	2 U	ug/m3		2	0.1	TO-15		10/1/10 07:37	JSS	A
1,1-Dichloroethene	2 U	ug/m3		2	0.1	TO-15		10/1/10 07:37	JSS	A
cis-1,2-Dichloroethene	2 U	ug/m3		2	0.3	TO-15		10/1/10 07:37	JSS	A
trans-1,2-Dichloroethene	2 U	ug/m3		2	0.08	TO-15		10/1/10 07:37	JSS	A
1,2-Dichloropropane	2 U	ug/m3		2	0.1	TO-15		10/1/10 07:37	JSS	A
cis-1,3-Dichloropropene	2 U	ug/m3		2	0.1	TO-15		10/1/10 07:37	JSS	A
trans-1,3-Dichloropropene	2 U	ug/m3		2	0.1	TO-15		10/1/10 07:37	JSS	A
1,3-Dichloropropene, Total	2 U	ug/m3		2	0.2	TO-15		10/1/10 07:37	JSS	A
Diisopropyl ether	14	ug/m3		2	1	TO-15		10/1/10 07:37	JSS	A
1,4-Dioxane	1 U	ug/m3		1	0.2	TO-15		10/1/10 07:37	JSS	A
Ethanol	7	ug/m3		0.8	0.3	TO-15		10/1/10 07:37	JSS	A
Ethyl Acetate	12	ug/m3		2	1	TO-15		10/1/10 07:37	JSS	A
Ethyl tert-butyl ether	2 U	ug/m3		2	0.1	TO-15		10/1/10 07:37	JSS	A
Ethylbenzene	2 U	ug/m3		2	0.08	TO-15		10/1/10 07:37	JSS	A
4-Ethyltoluene	2 U	ug/m3		2	0.1	TO-15		10/1/10 07:37	JSS	A
Freon 113	4	ug/m3		3	0.2	TO-15		10/1/10 07:37	JSS	A
Freon-114	3 U	ug/m3		3	0.3	TO-15		10/1/10 07:37	JSS	A
Heptane	2 U	ug/m3		2	0.2	TO-15		10/1/10 07:37	JSS	A
Hexachlorobutadiene	4 U	ug/m3		4	0.4	TO-15		10/1/10 07:37	JSS	A
Hexane	30	ug/m3		1	0.1	TO-15		10/1/10 07:37	JSS	A
2-Hexanone	2 U	ug/m3		2	0.1	TO-15		10/1/10 07:37	JSS	A
Isopropyl Alcohol	9	ug/m3		1	0.09	TO-15		10/1/10 07:37	JSS	A
Isopropylbenzene	2 U	ug/m3		2	0.1	TO-15		10/1/10 07:37	JSS	A
p-Isopropyltoluene	2 U	ug/m3		2	0.2	TO-15		10/1/10 07:37	JSS	A
Methyl Methacrylate	2 U	ug/m3		2	0.1	TO-15		10/1/10 07:37	JSS	A
Methyl t-Butyl Ether	4	ug/m3		1	0.09	TO-15		10/1/10 07:37	JSS	A
4-Methyl-2-Pentanone(MIBK)	2 U	ug/m3		2	0.1	TO-15		10/1/10 07:37	JSS	A
Methylene Chloride	150	ug/m3		1	0.09	TO-15		10/1/10 07:37	JSS	A
Naphthalene	2 U	ug/m3		2	0.3	TO-15		10/1/10 07:37	JSS	A
iso-Octane	2 U	ug/m3		2	0.1	TO-15		10/1/10 07:37	JSS	A



ANALYTICAL RESULTS

Workorder: 9866056 EBE003|BETHPAGE-NY

Lab ID: **9866056002**
Sample ID: **SVE 101D-91610**

Date Collected: 9/16/2010 14:30
Date Received: 9/17/2010 09:20

Matrix: Air

Parameters	Results	Units	Footnotes	RDL	MDL	Method	Prepared	By	Analyzed	By	Cntr
n-Propylbenzene	2 U	ug/m3		2	0.1	TO-15			10/1/10 07:37	JSS	A
Propylene	0.7 U	ug/m3		0.7	0.07	TO-15			10/1/10 07:37	JSS	A
Styrene	2 U	ug/m3		2	0.1	TO-15			10/1/10 07:37	JSS	A
1,1,2,2-Tetrachloroethane	3 U	ug/m3		3	0.1	TO-15			10/1/10 07:37	JSS	A
Tetrachloroethene	3 U	ug/m3		3	0.2	TO-15			10/1/10 07:37	JSS	A
Tetrahydrofuran	1 U	ug/m3		1	0.06	TO-15			10/1/10 07:37	JSS	A
Toluene	2 U	ug/m3		2	0.07	TO-15			10/1/10 07:37	JSS	A
Total Xylenes	2 U	ug/m3		2	0.2	TO-15			10/1/10 07:37	JSS	A
1,2,4-Trichlorobenzene	3 U	ug/m3		3	0.3	TO-15			10/1/10 07:37	JSS	A
1,1,1-Trichloroethane	2 U	ug/m3		2	0.2	TO-15			10/1/10 07:37	JSS	A
1,1,2-Trichloroethane	2 U	ug/m3		2	0.2	TO-15			10/1/10 07:37	JSS	A
Trichloroethene	3	ug/m3		2	0.1	TO-15			10/1/10 07:37	JSS	A
Trichlorofluoromethane	2 U	ug/m3		2	0.1	TO-15			10/1/10 07:37	JSS	A
1,2,3-Trichloropropane	2 U	ug/m3		2	0.2	TO-15			10/1/10 07:37	JSS	A
1,2,4-Trimethylbenzene	2 U	ug/m3		2	0.1	TO-15			10/1/10 07:37	JSS	A
1,3,5-Trimethylbenzene	2 U	ug/m3		2	0.1	TO-15			10/1/10 07:37	JSS	A
1,2,3-Trimethylbenzene	2 U	ug/m3		2	0.1	TO-15			10/1/10 07:37	JSS	A
Vinyl Acetate	1 U	ug/m3		1	0.1	TO-15			10/1/10 07:37	JSS	A
Vinyl Bromide	2 U	ug/m3		2	0.1	TO-15			10/1/10 07:37	JSS	A
Vinyl Chloride	1 U	ug/m3		1	0.08	TO-15			10/1/10 07:37	JSS	A
o-Xylene	2 U	ug/m3		2	0.1	TO-15			10/1/10 07:37	JSS	A
mp-Xylenes	3 U	ug/m3		3	0.2	TO-15			10/1/10 07:37	JSS	A
<i>Surrogate Recoveries</i>	<i>Results</i>	<i>Units</i>	<i>Footnotes</i>	<i>Limits</i>		<i>Method</i>	<i>Prepared</i>	<i>By</i>	<i>Analyzed</i>	<i>By</i>	<i>Cntr</i>
4-Bromofluorobenzene (S)	108	%		70-130		TO-15			10/1/10 07:37	JSS	A

Sample Comments:

This sample was run at a 2x dilution due to insufficient sample volume. JSS 10/1/10.

The second and third internal standard were recovered below the set criteria in the TO15 analysis of this sample. Matrix effect is believed to have caused this failure. Comparable results were attained from a replicate sample run. JSS 10/1/10.

Anna G Milliken
Laboratory Manager



ANALYTICAL RESULTS

Workorder: 9866056 EBE003|BETHPAGE-NY

Lab ID: **9866056003**
Sample ID: **SVE 102I-91610**

Date Collected: 9/16/2010 14:00
Date Received: 9/17/2010 09:20

Matrix: Air

Parameters	Results	Units	Footnotes	RDL	MDL	Method	Prepared By	Analyzed	By	Cntr
VOLATILE ORGANICS @ STP										
Acetone	2.6	ppbv	6	0.40	0.068	TO-15		9/30/10 19:06	JSS	A
Acrylonitrile	0.40 U	ppbv		0.40	0.032	TO-15		9/30/10 19:06	JSS	A
tert-Amyl methyl ether	0.40 U	ppbv		0.40	0.024	TO-15		9/30/10 19:06	JSS	A
Benzene	0.40 U	ppbv		0.40	0.042	TO-15		9/30/10 19:06	JSS	A
Benzyl Chloride	0.40 U	ppbv		0.40	0.030	TO-15		9/30/10 19:06	JSS	A
Bromodichloromethane	0.40 U	ppbv		0.40	0.024	TO-15		9/30/10 19:06	JSS	A
Bromoform	0.40 U	ppbv		0.40	0.020	TO-15		9/30/10 19:06	JSS	A
Bromomethane	0.40 U	ppbv		0.40	0.042	TO-15		9/30/10 19:06	JSS	A
1,3-Butadiene	0.40 U	ppbv		0.40	0.11	TO-15		9/30/10 19:06	JSS	A
n-Butane	0.40 U	ppbv		0.40	0.060	TO-15		9/30/10 19:06	JSS	A
2-Butanone	1.4	ppbv		0.40	0.034	TO-15		9/30/10 19:06	JSS	A
tert.- Butyl Alcohol	0.40 U	ppbv		0.40	0.028	TO-15		9/30/10 19:06	JSS	A
Carbon Disulfide	0.40 U	ppbv		0.40	0.026	TO-15		9/30/10 19:06	JSS	A
Carbon Tetrachloride	0.40 U	ppbv		0.40	0.028	TO-15		9/30/10 19:06	JSS	A
Chlorobenzene	0.40 U	ppbv		0.40	0.032	TO-15		9/30/10 19:06	JSS	A
Chlorodibromomethane	0.40 U	ppbv		0.40	0.016	TO-15		9/30/10 19:06	JSS	A
Chloroethane	0.40 U	ppbv		0.40	0.036	TO-15		9/30/10 19:06	JSS	A
Chloroform	0.76	ppbv		0.40	0.016	TO-15		9/30/10 19:06	JSS	A
Chloromethane	0.40 U	ppbv		0.40	0.036	TO-15		9/30/10 19:06	JSS	A
3-Chloro-1-propene	0.40 U	ppbv		0.40	0.028	TO-15		9/30/10 19:06	JSS	A
o-Chlorotoluene	0.40 U	ppbv		0.40	0.034	TO-15		9/30/10 19:06	JSS	A
Cyclohexane	0.40 U	ppbv		0.40	0.022	TO-15		9/30/10 19:06	JSS	A
1,2-Dibromoethane	0.40 U	ppbv		0.40	0.020	TO-15		9/30/10 19:06	JSS	A
1,2-Dichlorobenzene	0.40 U	ppbv		0.40	0.018	TO-15		9/30/10 19:06	JSS	A
1,3-Dichlorobenzene	0.40 U	ppbv		0.40	0.030	TO-15		9/30/10 19:06	JSS	A
1,4-Dichlorobenzene	0.40 U	ppbv		0.40	0.026	TO-15		9/30/10 19:06	JSS	A
Dichlorodifluoromethane	0.40 U	ppbv		0.40	0.022	TO-15		9/30/10 19:06	JSS	A
1,1-Dichloroethane	0.40 U	ppbv		0.40	0.028	TO-15		9/30/10 19:06	JSS	A
1,2-Dichloroethane	0.40 U	ppbv		0.40	0.032	TO-15		9/30/10 19:06	JSS	A
1,1-Dichloroethene	0.40 U	ppbv		0.40	0.034	TO-15		9/30/10 19:06	JSS	A
cis-1,2-Dichloroethene	0.40 U	ppbv		0.40	0.072	TO-15		9/30/10 19:06	JSS	A
trans-1,2-Dichloroethene	0.40 U	ppbv		0.40	0.020	TO-15		9/30/10 19:06	JSS	A
1,2-Dichloropropane	0.40 U	ppbv		0.40	0.032	TO-15		9/30/10 19:06	JSS	A
cis-1,3-Dichloropropene	0.40 U	ppbv		0.40	0.026	TO-15		9/30/10 19:06	JSS	A
trans-1,3-Dichloropropene	0.40 U	ppbv		0.40	0.026	TO-15		9/30/10 19:06	JSS	A
1,3-Dichloropropene, Total	0.40 U	ppbv		0.40	0.20	TO-15		9/30/10 19:06	JSS	A
Diisopropyl ether	0.40 U	ppbv	8	0.40	0.28	TO-15		9/30/10 19:06	JSS	A
1,4-Dioxane	0.40 U	ppbv		0.40	0.042	TO-15		9/30/10 19:06	JSS	A
Ethanol	1.2	ppbv	9	0.40	0.17	TO-15		9/30/10 19:06	JSS	A
Ethyl Acetate	0.40 U	ppbv		0.40	0.28	TO-15		9/30/10 19:06	JSS	A
Ethyl tert-butyl ether	0.40 U	ppbv		0.40	0.028	TO-15		9/30/10 19:06	JSS	A
Ethylbenzene	0.79	ppbv		0.40	0.018	TO-15		9/30/10 19:06	JSS	A
4-Ethyltoluene	1.1	ppbv		0.40	0.024	TO-15		9/30/10 19:06	JSS	A
Freon 113	0.40 U	ppbv		0.40	0.028	TO-15		9/30/10 19:06	JSS	A
Freon-114	0.40 U	ppbv		0.40	0.038	TO-15		9/30/10 19:06	JSS	A
Heptane	0.40 U	ppbv		0.40	0.042	TO-15		9/30/10 19:06	JSS	A



ANALYTICAL RESULTS

Workorder: 9866056 EBE003|BETHPAGE-NY

Lab ID: **9866056003**
Sample ID: **SVE 102I-91610**

Date Collected: 9/16/2010 14:00
Date Received: 9/17/2010 09:20

Matrix: Air

Parameters	Results	Units	Footnotes	RDL	MDL	Method	Prepared By	Analyzed	By	Cntr
Hexachlorobutadiene	0.40 U	ppbv		0.40	0.038	TO-15		9/30/10 19:06	JSS	A
Hexane	0.40 U	ppbv		0.40	0.028	TO-15		9/30/10 19:06	JSS	A
2-Hexanone	0.40 U	ppbv		0.40	0.024	TO-15		9/30/10 19:06	JSS	A
Isopropyl Alcohol	0.40 U	ppbv		0.40	0.036	TO-15		9/30/10 19:06	JSS	A
Isopropylbenzene	0.40 U	ppbv		0.40	0.024	TO-15		9/30/10 19:06	JSS	A
p-Isopropyltoluene	0.40 U	ppbv		0.40	0.028	TO-15		9/30/10 19:06	JSS	A
Methyl methacrylate	0.40 U	ppbv		0.40	0.030	TO-15		9/30/10 19:06	JSS	A
Methyl t-Butyl Ether	0.40 U	ppbv		0.40	0.024	TO-15		9/30/10 19:06	JSS	A
4-Methyl-2-Pentanone(MIBK)	0.40 U	ppbv		0.40	0.036	TO-15		9/30/10 19:06	JSS	A
Methylene Chloride	0.40 U	ppbv		0.40	0.026	TO-15		9/30/10 19:06	JSS	A
Naphthalene	0.50	ppbv	13	0.40	0.054	TO-15		9/30/10 19:06	JSS	A
iso-Octane	0.40 U	ppbv		0.40	0.022	TO-15		9/30/10 19:06	JSS	A
n-Propylbenzene	0.58	ppbv		0.40	0.028	TO-15		9/30/10 19:06	JSS	A
Propylene	0.40 U	ppbv	14	0.40	0.038	TO-15		9/30/10 19:06	JSS	A
Styrene	0.40 U	ppbv		0.40	0.030	TO-15		9/30/10 19:06	JSS	A
1,1,2,2-Tetrachloroethane	0.40 U	ppbv		0.40	0.030	TO-15		9/30/10 19:06	JSS	A
Tetrachloroethene	0.95	ppbv		0.40	0.022	TO-15		9/30/10 19:06	JSS	A
Tetrahydrofuran	2.1	ppbv		0.40	0.022	TO-15		9/30/10 19:06	JSS	A
Toluene	0.76	ppbv		0.40	0.018	TO-15		9/30/10 19:06	JSS	A
Total Xylenes	5.0	ppbv		0.40	0.20	TO-15		9/30/10 19:06	JSS	A
1,2,4-Trichlorobenzene	0.40 U	ppbv		0.40	0.038	TO-15		9/30/10 19:06	JSS	A
1,1,1-Trichloroethane	0.55	ppbv		0.40	0.028	TO-15		9/30/10 19:06	JSS	A
1,1,2-Trichloroethane	0.40 U	ppbv		0.40	0.032	TO-15		9/30/10 19:06	JSS	A
Trichloroethene	16	ppbv		0.40	0.022	TO-15		9/30/10 19:06	JSS	A
Trichlorofluoromethane	0.40 U	ppbv		0.40	0.026	TO-15		9/30/10 19:06	JSS	A
1,2,3-Trichloropropane	0.40 U	ppbv		0.40	0.034	TO-15		9/30/10 19:06	JSS	A
1,2,4-Trimethylbenzene	7.0	ppbv		0.40	0.026	TO-15		9/30/10 19:06	JSS	A
1,3,5-Trimethylbenzene	1.5	ppbv		0.40	0.028	TO-15		9/30/10 19:06	JSS	A
1,2,3-Trimethylbenzene	2.1	ppbv		0.40	0.020	TO-15		9/30/10 19:06	JSS	A
Vinyl Acetate	0.40 U	ppbv		0.40	0.032	TO-15		9/30/10 19:06	JSS	A
Vinyl Bromide	0.40 U	ppbv		0.40	0.032	TO-15		9/30/10 19:06	JSS	A
Vinyl Chloride	0.40 U	ppbv		0.40	0.032	TO-15		9/30/10 19:06	JSS	A
o-Xylene	1.8	ppbv		0.40	0.024	TO-15		9/30/10 19:06	JSS	A
mp-Xylene	3.2	ppbv		0.80	0.044	TO-15		9/30/10 19:06	JSS	A
Acetone	6	ug/m3		1	0.2	TO-15		9/30/10 19:06	JSS	A
Acrylonitrile	0.9 U	ug/m3		0.9	0.07	TO-15		9/30/10 19:06	JSS	A
tert-Amyl methyl ether	2 U	ug/m3		2	0.1	TO-15		9/30/10 19:06	JSS	A
Benzene	1 U	ug/m3		1	0.1	TO-15		9/30/10 19:06	JSS	A
Benzyl Chloride	2 U	ug/m3		2	0.2	TO-15		9/30/10 19:06	JSS	A
Bromodichloromethane	3 U	ug/m3		3	0.2	TO-15		9/30/10 19:06	JSS	A
Bromoform	4 U	ug/m3		4	0.2	TO-15		9/30/10 19:06	JSS	A
Bromomethane	2 U	ug/m3		2	0.2	TO-15		9/30/10 19:06	JSS	A
1,3-Butadiene	0.9 U	ug/m3		0.9	0.2	TO-15		9/30/10 19:06	JSS	A
n-Butane	1 U	ug/m3		1	0.1	TO-15		9/30/10 19:06	JSS	A
2-Butanone	4	ug/m3		1	0.1	TO-15		9/30/10 19:06	JSS	A
tert.- Butyl Alcohol	1 U	ug/m3		1	0.08	TO-15		9/30/10 19:06	JSS	A



ANALYTICAL RESULTS

Workorder: 9866056 EBE003|BETHPAGE-NY

Lab ID: **9866056003**
Sample ID: **SVE 102I-91610**

Date Collected: 9/16/2010 14:00
Date Received: 9/17/2010 09:20

Matrix: Air

Parameters	Results	Units	Footnotes	RDL	MDL	Method	Prepared	By	Analyzed	By	Cntr
Carbon Disulfide	1 U	ug/m3		1	0.08	TO-15			9/30/10 19:06	JSS	A
Carbon Tetrachloride	3 U	ug/m3		3	0.2	TO-15			9/30/10 19:06	JSS	A
Chlorobenzene	2 U	ug/m3		2	0.1	TO-15			9/30/10 19:06	JSS	A
Chlorodibromomethane	3 U	ug/m3		3	0.1	TO-15			9/30/10 19:06	JSS	A
Chloroethane	1 U	ug/m3		1	0.09	TO-15			9/30/10 19:06	JSS	A
Chloroform	4	ug/m3		2	0.08	TO-15			9/30/10 19:06	JSS	A
Chloromethane	0.8 U	ug/m3		0.8	0.07	TO-15			9/30/10 19:06	JSS	A
3-Chloro-1-propene	1 U	ug/m3		1	0.09	TO-15			9/30/10 19:06	JSS	A
o-Chlorotoluene	2 U	ug/m3		2	0.2	TO-15			9/30/10 19:06	JSS	A
Cyclohexane	1 U	ug/m3		1	0.08	TO-15			9/30/10 19:06	JSS	A
1,2-Dibromoethane	3 U	ug/m3		3	0.2	TO-15			9/30/10 19:06	JSS	A
1,2-Dichlorobenzene	2 U	ug/m3		2	0.1	TO-15			9/30/10 19:06	JSS	A
1,3-Dichlorobenzene	2 U	ug/m3		2	0.2	TO-15			9/30/10 19:06	JSS	A
1,4-Dichlorobenzene	2 U	ug/m3		2	0.2	TO-15			9/30/10 19:06	JSS	A
Dichlorodifluoromethane	2 U	ug/m3		2	0.1	TO-15			9/30/10 19:06	JSS	A
1,1-Dichloroethane	2 U	ug/m3		2	0.1	TO-15			9/30/10 19:06	JSS	A
1,2-Dichloroethane	2 U	ug/m3		2	0.1	TO-15			9/30/10 19:06	JSS	A
1,1-Dichloroethene	2 U	ug/m3		2	0.1	TO-15			9/30/10 19:06	JSS	A
cis-1,2-Dichloroethene	2 U	ug/m3		2	0.3	TO-15			9/30/10 19:06	JSS	A
trans-1,2-Dichloroethene	2 U	ug/m3		2	0.08	TO-15			9/30/10 19:06	JSS	A
1,2-Dichloropropane	2 U	ug/m3		2	0.1	TO-15			9/30/10 19:06	JSS	A
cis-1,3-Dichloropropene	2 U	ug/m3		2	0.1	TO-15			9/30/10 19:06	JSS	A
trans-1,3-Dichloropropene	2 U	ug/m3		2	0.1	TO-15			9/30/10 19:06	JSS	A
1,3-Dichloropropene, Total	2 U	ug/m3		2	0.2	TO-15			9/30/10 19:06	JSS	A
Diisopropyl ether	2 U	ug/m3		2	1	TO-15			9/30/10 19:06	JSS	A
1,4-Dioxane	1 U	ug/m3		1	0.2	TO-15			9/30/10 19:06	JSS	A
Ethanol	2	ug/m3		0.8	0.3	TO-15			9/30/10 19:06	JSS	A
Ethyl Acetate	2 U	ug/m3		2	1	TO-15			9/30/10 19:06	JSS	A
Ethyl tert-butyl ether	2 U	ug/m3		2	0.1	TO-15			9/30/10 19:06	JSS	A
Ethylbenzene	3	ug/m3		2	0.08	TO-15			9/30/10 19:06	JSS	A
4-Ethyltoluene	5	ug/m3		2	0.1	TO-15			9/30/10 19:06	JSS	A
Freon 113	3 U	ug/m3		3	0.2	TO-15			9/30/10 19:06	JSS	A
Freon-114	3 U	ug/m3		3	0.3	TO-15			9/30/10 19:06	JSS	A
Heptane	2 U	ug/m3		2	0.2	TO-15			9/30/10 19:06	JSS	A
Hexachlorobutadiene	4 U	ug/m3		4	0.4	TO-15			9/30/10 19:06	JSS	A
Hexane	1 U	ug/m3		1	0.1	TO-15			9/30/10 19:06	JSS	A
2-Hexanone	2 U	ug/m3		2	0.1	TO-15			9/30/10 19:06	JSS	A
Isopropyl Alcohol	1 U	ug/m3		1	0.09	TO-15			9/30/10 19:06	JSS	A
Isopropylbenzene	2 U	ug/m3		2	0.1	TO-15			9/30/10 19:06	JSS	A
p-Isopropyltoluene	2 U	ug/m3		2	0.2	TO-15			9/30/10 19:06	JSS	A
Methyl Methacrylate	2 U	ug/m3		2	0.1	TO-15			9/30/10 19:06	JSS	A
Methyl t-Butyl Ether	1 U	ug/m3		1	0.09	TO-15			9/30/10 19:06	JSS	A
4-Methyl-2-Pentanone(MIBK)	2 U	ug/m3		2	0.1	TO-15			9/30/10 19:06	JSS	A
Methylene Chloride	1 U	ug/m3		1	0.09	TO-15			9/30/10 19:06	JSS	A
Naphthalene	3	ug/m3		2	0.3	TO-15			9/30/10 19:06	JSS	A
iso-Octane	2 U	ug/m3		2	0.1	TO-15			9/30/10 19:06	JSS	A



ANALYTICAL RESULTS

Workorder: 9866056 EBE003|BETHPAGE-NY

Lab ID: **9866056003**
Sample ID: **SVE 102I-91610**

Date Collected: 9/16/2010 14:00
Date Received: 9/17/2010 09:20

Matrix: Air

Parameters	Results	Units	Footnotes	RDL	MDL	Method	Prepared	By	Analyzed	By	Cntr
n-Propylbenzene	3	ug/m3		2	0.1	TO-15			9/30/10 19:06	JSS	A
Propylene	0.7 U	ug/m3		0.7	0.07	TO-15			9/30/10 19:06	JSS	A
Styrene	2 U	ug/m3		2	0.1	TO-15			9/30/10 19:06	JSS	A
1,1,2,2-Tetrachloroethane	3 U	ug/m3		3	0.1	TO-15			9/30/10 19:06	JSS	A
Tetrachloroethene	6	ug/m3		3	0.2	TO-15			9/30/10 19:06	JSS	A
Tetrahydrofuran	6	ug/m3		1	0.06	TO-15			9/30/10 19:06	JSS	A
Toluene	3	ug/m3		2	0.07	TO-15			9/30/10 19:06	JSS	A
Total Xylenes	22	ug/m3		2	0.2	TO-15			9/30/10 19:06	JSS	A
1,2,4-Trichlorobenzene	3 U	ug/m3		3	0.3	TO-15			9/30/10 19:06	JSS	A
1,1,1-Trichloroethane	3	ug/m3		2	0.2	TO-15			9/30/10 19:06	JSS	A
1,1,2-Trichloroethane	2 U	ug/m3		2	0.2	TO-15			9/30/10 19:06	JSS	A
Trichloroethene	88	ug/m3		2	0.1	TO-15			9/30/10 19:06	JSS	A
Trichlorofluoromethane	2 U	ug/m3		2	0.1	TO-15			9/30/10 19:06	JSS	A
1,2,3-Trichloropropane	2 U	ug/m3		2	0.2	TO-15			9/30/10 19:06	JSS	A
1,2,4-Trimethylbenzene	35	ug/m3		2	0.1	TO-15			9/30/10 19:06	JSS	A
1,3,5-Trimethylbenzene	7	ug/m3		2	0.1	TO-15			9/30/10 19:06	JSS	A
1,2,3-Trimethylbenzene	10	ug/m3		2	0.1	TO-15			9/30/10 19:06	JSS	A
Vinyl Acetate	1 U	ug/m3		1	0.1	TO-15			9/30/10 19:06	JSS	A
Vinyl Bromide	2 U	ug/m3		2	0.1	TO-15			9/30/10 19:06	JSS	A
Vinyl Chloride	1 U	ug/m3		1	0.08	TO-15			9/30/10 19:06	JSS	A
o-Xylene	8	ug/m3		2	0.1	TO-15			9/30/10 19:06	JSS	A
mp-Xylenes	14	ug/m3		3	0.2	TO-15			9/30/10 19:06	JSS	A
<i>Surrogate Recoveries</i>	<i>Results</i>	<i>Units</i>	<i>Footnotes</i>	<i>Limits</i>		<i>Method</i>	<i>Prepared</i>	<i>By</i>	<i>Analyzed</i>	<i>By</i>	<i>Cntr</i>
4-Bromofluorobenzene (S)	108	%		70-130		TO-15			9/30/10 19:06	JSS	A

Sample Comments:

This sample was run at a 2x dilution due to insufficient sample volume. JSS 10/1/10.


Anna G Milliken
Laboratory Manager



ANALYTICAL RESULTS

Workorder: 9866056 EBE003|BETHPAGE-NY

Lab ID: **9866056004**
Sample ID: **SVE 102D-91610**

Date Collected: 9/16/2010 14:30
Date Received: 9/17/2010 09:20

Matrix: Air

Parameters	Results	Units	Footnotes	RDL	MDL	Method	Prepared By	Analyzed	By	Cntr
VOLATILE ORGANICS @ STP										
Acetone	4.2	ppbv	6	0.40	0.068	TO-15		9/30/10 19:51	JSS	A
Acrylonitrile	0.40 U	ppbv		0.40	0.032	TO-15		9/30/10 19:51	JSS	A
tert-Amyl methyl ether	0.40 U	ppbv		0.40	0.024	TO-15		9/30/10 19:51	JSS	A
Benzene	0.40 U	ppbv		0.40	0.042	TO-15		9/30/10 19:51	JSS	A
Benzyl Chloride	0.40 U	ppbv		0.40	0.030	TO-15		9/30/10 19:51	JSS	A
Bromodichloromethane	0.40 U	ppbv		0.40	0.024	TO-15		9/30/10 19:51	JSS	A
Bromoform	0.40 U	ppbv		0.40	0.020	TO-15		9/30/10 19:51	JSS	A
Bromomethane	0.40 U	ppbv		0.40	0.042	TO-15		9/30/10 19:51	JSS	A
1,3-Butadiene	0.46	ppbv		0.40	0.11	TO-15		9/30/10 19:51	JSS	A
n-Butane	0.40 U	ppbv		0.40	0.060	TO-15		9/30/10 19:51	JSS	A
2-Butanone	1.3	ppbv		0.40	0.034	TO-15		9/30/10 19:51	JSS	A
tert.- Butyl Alcohol	0.40 U	ppbv		0.40	0.028	TO-15		9/30/10 19:51	JSS	A
Carbon Disulfide	0.40 U	ppbv		0.40	0.026	TO-15		9/30/10 19:51	JSS	A
Carbon Tetrachloride	0.40 U	ppbv		0.40	0.028	TO-15		9/30/10 19:51	JSS	A
Chlorobenzene	0.40 U	ppbv		0.40	0.032	TO-15		9/30/10 19:51	JSS	A
Chlorodibromomethane	0.40 U	ppbv		0.40	0.016	TO-15		9/30/10 19:51	JSS	A
Chloroethane	0.40 U	ppbv		0.40	0.036	TO-15		9/30/10 19:51	JSS	A
Chloroform	2.3	ppbv		0.40	0.016	TO-15		9/30/10 19:51	JSS	A
Chloromethane	0.40 U	ppbv		0.40	0.036	TO-15		9/30/10 19:51	JSS	A
3-Chloro-1-propene	0.40 U	ppbv		0.40	0.028	TO-15		9/30/10 19:51	JSS	A
o-Chlorotoluene	0.40 U	ppbv		0.40	0.034	TO-15		9/30/10 19:51	JSS	A
Cyclohexane	0.40 U	ppbv		0.40	0.022	TO-15		9/30/10 19:51	JSS	A
1,2-Dibromoethane	0.40 U	ppbv		0.40	0.020	TO-15		9/30/10 19:51	JSS	A
1,2-Dichlorobenzene	0.40 U	ppbv		0.40	0.018	TO-15		9/30/10 19:51	JSS	A
1,3-Dichlorobenzene	0.40 U	ppbv		0.40	0.030	TO-15		9/30/10 19:51	JSS	A
1,4-Dichlorobenzene	0.40 U	ppbv		0.40	0.026	TO-15		9/30/10 19:51	JSS	A
Dichlorodifluoromethane	0.50	ppbv	7	0.40	0.022	TO-15		9/30/10 19:51	JSS	A
1,1-Dichloroethane	0.40 U	ppbv		0.40	0.028	TO-15		9/30/10 19:51	JSS	A
1,2-Dichloroethane	0.40 U	ppbv		0.40	0.032	TO-15		9/30/10 19:51	JSS	A
1,1-Dichloroethene	0.40 U	ppbv		0.40	0.034	TO-15		9/30/10 19:51	JSS	A
cis-1,2-Dichloroethene	0.40 U	ppbv		0.40	0.072	TO-15		9/30/10 19:51	JSS	A
trans-1,2-Dichloroethene	0.40 U	ppbv		0.40	0.020	TO-15		9/30/10 19:51	JSS	A
1,2-Dichloropropane	0.40 U	ppbv		0.40	0.032	TO-15		9/30/10 19:51	JSS	A
cis-1,3-Dichloropropene	0.40 U	ppbv		0.40	0.026	TO-15		9/30/10 19:51	JSS	A
trans-1,3-Dichloropropene	0.40 U	ppbv		0.40	0.026	TO-15		9/30/10 19:51	JSS	A
1,3-Dichloropropene, Total	0.40 U	ppbv		0.40	0.20	TO-15		9/30/10 19:51	JSS	A
Diisopropyl ether	0.40 U	ppbv	8	0.40	0.28	TO-15		9/30/10 19:51	JSS	A
1,4-Dioxane	0.40 U	ppbv		0.40	0.042	TO-15		9/30/10 19:51	JSS	A
Ethanol	2.5	ppbv	9	0.40	0.17	TO-15		9/30/10 19:51	JSS	A
Ethyl Acetate	0.40 U	ppbv		0.40	0.28	TO-15		9/30/10 19:51	JSS	A
Ethyl tert-butyl ether	0.40 U	ppbv		0.40	0.028	TO-15		9/30/10 19:51	JSS	A
Ethylbenzene	0.61	ppbv		0.40	0.018	TO-15		9/30/10 19:51	JSS	A
4-Ethyltoluene	0.64	ppbv		0.40	0.024	TO-15		9/30/10 19:51	JSS	A
Freon 113	0.40 U	ppbv		0.40	0.028	TO-15		9/30/10 19:51	JSS	A
Freon-114	0.40 U	ppbv		0.40	0.038	TO-15		9/30/10 19:51	JSS	A
Heptane	0.40 U	ppbv		0.40	0.042	TO-15		9/30/10 19:51	JSS	A



ANALYTICAL RESULTS

Workorder: 9866056 EBE003|BETHPAGE-NY

Lab ID: **9866056004**
Sample ID: **SVE 102D-91610**

Date Collected: 9/16/2010 14:30
Date Received: 9/17/2010 09:20

Matrix: Air

Parameters	Results	Units	Footnotes	RDL	MDL	Method	Prepared	By	Analyzed	By	Cntr
Hexachlorobutadiene	0.40 U	ppbv		0.40	0.038	TO-15			9/30/10 19:51	JSS	A
Hexane	0.41	ppbv		0.40	0.028	TO-15			9/30/10 19:51	JSS	A
2-Hexanone	0.40 U	ppbv		0.40	0.024	TO-15			9/30/10 19:51	JSS	A
Isopropyl Alcohol	0.60	ppbv	11	0.40	0.036	TO-15			9/30/10 19:51	JSS	A
Isopropylbenzene	0.40 U	ppbv		0.40	0.024	TO-15			9/30/10 19:51	JSS	A
p-Isopropyltoluene	0.40 U	ppbv		0.40	0.028	TO-15			9/30/10 19:51	JSS	A
Methyl methacrylate	0.40 U	ppbv		0.40	0.030	TO-15			9/30/10 19:51	JSS	A
Methyl t-Butyl Ether	0.40 U	ppbv		0.40	0.024	TO-15			9/30/10 19:51	JSS	A
4-Methyl-2-Pentanone(MIBK)	0.40 U	ppbv		0.40	0.036	TO-15			9/30/10 19:51	JSS	A
Methylene Chloride	2.1	ppbv		0.40	0.026	TO-15			9/30/10 19:51	JSS	A
Naphthalene	0.52	ppbv	13	0.40	0.054	TO-15			9/30/10 19:51	JSS	A
iso-Octane	0.40 U	ppbv		0.40	0.022	TO-15			9/30/10 19:51	JSS	A
n-Propylbenzene	0.40 U	ppbv		0.40	0.028	TO-15			9/30/10 19:51	JSS	A
Propylene	0.40 U	ppbv	14	0.40	0.038	TO-15			9/30/10 19:51	JSS	A
Styrene	0.40 U	ppbv		0.40	0.030	TO-15			9/30/10 19:51	JSS	A
1,1,2,2-Tetrachloroethane	0.40 U	ppbv		0.40	0.030	TO-15			9/30/10 19:51	JSS	A
Tetrachloroethene	2.8	ppbv		0.40	0.022	TO-15			9/30/10 19:51	JSS	A
Tetrahydrofuran	12	ppbv		0.40	0.022	TO-15			9/30/10 19:51	JSS	A
Toluene	0.73	ppbv		0.40	0.018	TO-15			9/30/10 19:51	JSS	A
Total Xylenes	3.4	ppbv		0.40	0.20	TO-15			9/30/10 19:51	JSS	A
1,2,4-Trichlorobenzene	0.40 U	ppbv		0.40	0.038	TO-15			9/30/10 19:51	JSS	A
1,1,1-Trichloroethane	1.4	ppbv		0.40	0.028	TO-15			9/30/10 19:51	JSS	A
1,1,2-Trichloroethane	0.40 U	ppbv		0.40	0.032	TO-15			9/30/10 19:51	JSS	A
Trichloroethene	21	ppbv		0.40	0.022	TO-15			9/30/10 19:51	JSS	A
Trichlorofluoromethane	0.87	ppbv		0.40	0.026	TO-15			9/30/10 19:51	JSS	A
1,2,3-Trichloropropane	0.40 U	ppbv		0.40	0.034	TO-15			9/30/10 19:51	JSS	A
1,2,4-Trimethylbenzene	3.6	ppbv		0.40	0.026	TO-15			9/30/10 19:51	JSS	A
1,3,5-Trimethylbenzene	0.81	ppbv		0.40	0.028	TO-15			9/30/10 19:51	JSS	A
1,2,3-Trimethylbenzene	1.0	ppbv		0.40	0.020	TO-15			9/30/10 19:51	JSS	A
Vinyl Acetate	0.40 U	ppbv		0.40	0.032	TO-15			9/30/10 19:51	JSS	A
Vinyl Bromide	0.40 U	ppbv		0.40	0.032	TO-15			9/30/10 19:51	JSS	A
Vinyl Chloride	0.40 U	ppbv		0.40	0.032	TO-15			9/30/10 19:51	JSS	A
o-Xylene	1.1	ppbv		0.40	0.024	TO-15			9/30/10 19:51	JSS	A
mp-Xylene	2.3	ppbv		0.80	0.044	TO-15			9/30/10 19:51	JSS	A
Acetone	10	ug/m3		1	0.2	TO-15			9/30/10 19:51	JSS	A
Acrylonitrile	0.9 U	ug/m3		0.9	0.07	TO-15			9/30/10 19:51	JSS	A
tert-Amyl methyl ether	2 U	ug/m3		2	0.1	TO-15			9/30/10 19:51	JSS	A
Benzene	1 U	ug/m3		1	0.1	TO-15			9/30/10 19:51	JSS	A
Benzyl Chloride	2 U	ug/m3		2	0.2	TO-15			9/30/10 19:51	JSS	A
Bromodichloromethane	3 U	ug/m3		3	0.2	TO-15			9/30/10 19:51	JSS	A
Bromoform	4 U	ug/m3		4	0.2	TO-15			9/30/10 19:51	JSS	A
Bromomethane	2 U	ug/m3		2	0.2	TO-15			9/30/10 19:51	JSS	A
1,3-Butadiene	1	ug/m3		0.9	0.2	TO-15			9/30/10 19:51	JSS	A
n-Butane	1 U	ug/m3		1	0.1	TO-15			9/30/10 19:51	JSS	A
2-Butanone	4	ug/m3		1	0.1	TO-15			9/30/10 19:51	JSS	A
tert.- Butyl Alcohol	1 U	ug/m3		1	0.08	TO-15			9/30/10 19:51	JSS	A



ANALYTICAL RESULTS

Workorder: 9866056 EBE003|BETHPAGE-NY

Lab ID: **9866056004**
Sample ID: **SVE 102D-91610**

Date Collected: 9/16/2010 14:30
Date Received: 9/17/2010 09:20

Matrix: Air

Parameters	Results	Units	Footnotes	RDL	MDL	Method	Prepared	By	Analyzed	By	Cntr
Carbon Disulfide	1 U	ug/m3		1	0.08	TO-15			9/30/10 19:51	JSS	A
Carbon Tetrachloride	3 U	ug/m3		3	0.2	TO-15			9/30/10 19:51	JSS	A
Chlorobenzene	2 U	ug/m3		2	0.1	TO-15			9/30/10 19:51	JSS	A
Chlorodibromomethane	3 U	ug/m3		3	0.1	TO-15			9/30/10 19:51	JSS	A
Chloroethane	1 U	ug/m3		1	0.09	TO-15			9/30/10 19:51	JSS	A
Chloroform	11	ug/m3		2	0.08	TO-15			9/30/10 19:51	JSS	A
Chloromethane	0.8 U	ug/m3		0.8	0.07	TO-15			9/30/10 19:51	JSS	A
3-Chloro-1-propene	1 U	ug/m3		1	0.09	TO-15			9/30/10 19:51	JSS	A
o-Chlorotoluene	2 U	ug/m3		2	0.2	TO-15			9/30/10 19:51	JSS	A
Cyclohexane	1 U	ug/m3		1	0.08	TO-15			9/30/10 19:51	JSS	A
1,2-Dibromoethane	3 U	ug/m3		3	0.2	TO-15			9/30/10 19:51	JSS	A
1,2-Dichlorobenzene	2 U	ug/m3		2	0.1	TO-15			9/30/10 19:51	JSS	A
1,3-Dichlorobenzene	2 U	ug/m3		2	0.2	TO-15			9/30/10 19:51	JSS	A
1,4-Dichlorobenzene	2 U	ug/m3		2	0.2	TO-15			9/30/10 19:51	JSS	A
Dichlorodifluoromethane	2	ug/m3		2	0.1	TO-15			9/30/10 19:51	JSS	A
1,1-Dichloroethane	2 U	ug/m3		2	0.1	TO-15			9/30/10 19:51	JSS	A
1,2-Dichloroethane	2 U	ug/m3		2	0.1	TO-15			9/30/10 19:51	JSS	A
1,1-Dichloroethene	2 U	ug/m3		2	0.1	TO-15			9/30/10 19:51	JSS	A
cis-1,2-Dichloroethene	2 U	ug/m3		2	0.3	TO-15			9/30/10 19:51	JSS	A
trans-1,2-Dichloroethene	2 U	ug/m3		2	0.08	TO-15			9/30/10 19:51	JSS	A
1,2-Dichloropropane	2 U	ug/m3		2	0.1	TO-15			9/30/10 19:51	JSS	A
cis-1,3-Dichloropropene	2 U	ug/m3		2	0.1	TO-15			9/30/10 19:51	JSS	A
trans-1,3-Dichloropropene	2 U	ug/m3		2	0.1	TO-15			9/30/10 19:51	JSS	A
1,3-Dichloropropene, Total	2 U	ug/m3		2	0.2	TO-15			9/30/10 19:51	JSS	A
Diisopropyl ether	2 U	ug/m3		2	1	TO-15			9/30/10 19:51	JSS	A
1,4-Dioxane	1 U	ug/m3		1	0.2	TO-15			9/30/10 19:51	JSS	A
Ethanol	5	ug/m3		0.8	0.3	TO-15			9/30/10 19:51	JSS	A
Ethyl Acetate	2 U	ug/m3		2	1	TO-15			9/30/10 19:51	JSS	A
Ethyl tert-butyl ether	2 U	ug/m3		2	0.1	TO-15			9/30/10 19:51	JSS	A
Ethylbenzene	3	ug/m3		2	0.08	TO-15			9/30/10 19:51	JSS	A
4-Ethyltoluene	3	ug/m3		2	0.1	TO-15			9/30/10 19:51	JSS	A
Freon 113	3 U	ug/m3		3	0.2	TO-15			9/30/10 19:51	JSS	A
Freon-114	3 U	ug/m3		3	0.3	TO-15			9/30/10 19:51	JSS	A
Heptane	2 U	ug/m3		2	0.2	TO-15			9/30/10 19:51	JSS	A
Hexachlorobutadiene	4 U	ug/m3		4	0.4	TO-15			9/30/10 19:51	JSS	A
Hexane	1	ug/m3		1	0.1	TO-15			9/30/10 19:51	JSS	A
2-Hexanone	2 U	ug/m3		2	0.1	TO-15			9/30/10 19:51	JSS	A
Isopropyl Alcohol	1	ug/m3		1	0.09	TO-15			9/30/10 19:51	JSS	A
Isopropylbenzene	2 U	ug/m3		2	0.1	TO-15			9/30/10 19:51	JSS	A
p-Isopropyltoluene	2 U	ug/m3		2	0.2	TO-15			9/30/10 19:51	JSS	A
Methyl Methacrylate	2 U	ug/m3		2	0.1	TO-15			9/30/10 19:51	JSS	A
Methyl t-Butyl Ether	1 U	ug/m3		1	0.09	TO-15			9/30/10 19:51	JSS	A
4-Methyl-2-Pentanone(MIBK)	2 U	ug/m3		2	0.1	TO-15			9/30/10 19:51	JSS	A
Methylene Chloride	7	ug/m3		1	0.09	TO-15			9/30/10 19:51	JSS	A
Naphthalene	3	ug/m3		2	0.3	TO-15			9/30/10 19:51	JSS	A
iso-Octane	2 U	ug/m3		2	0.1	TO-15			9/30/10 19:51	JSS	A



ANALYTICAL RESULTS

Workorder: 9866056 EBE003|BETHPAGE-NY

Lab ID: **9866056004**
Sample ID: **SVE 102D-91610**

Date Collected: 9/16/2010 14:30
Date Received: 9/17/2010 09:20

Matrix: Air

Parameters	Results	Units	Footnotes	RDL	MDL	Method	Prepared	By	Analyzed	By	Cntr
n-Propylbenzene	2 U	ug/m3		2	0.1	TO-15			9/30/10 19:51	JSS	A
Propylene	0.7 U	ug/m3		0.7	0.07	TO-15			9/30/10 19:51	JSS	A
Styrene	2 U	ug/m3		2	0.1	TO-15			9/30/10 19:51	JSS	A
1,1,2,2-Tetrachloroethane	3 U	ug/m3		3	0.1	TO-15			9/30/10 19:51	JSS	A
Tetrachloroethene	19	ug/m3		3	0.2	TO-15			9/30/10 19:51	JSS	A
Tetrahydrofuran	36	ug/m3		1	0.06	TO-15			9/30/10 19:51	JSS	A
Toluene	3	ug/m3		2	0.07	TO-15			9/30/10 19:51	JSS	A
Total Xylenes	15	ug/m3		2	0.2	TO-15			9/30/10 19:51	JSS	A
1,2,4-Trichlorobenzene	3 U	ug/m3		3	0.3	TO-15			9/30/10 19:51	JSS	A
1,1,1-Trichloroethane	7	ug/m3		2	0.2	TO-15			9/30/10 19:51	JSS	A
1,1,2-Trichloroethane	2 U	ug/m3		2	0.2	TO-15			9/30/10 19:51	JSS	A
Trichloroethene	110	ug/m3		2	0.1	TO-15			9/30/10 19:51	JSS	A
Trichlorofluoromethane	5	ug/m3		2	0.1	TO-15			9/30/10 19:51	JSS	A
1,2,3-Trichloropropane	2 U	ug/m3		2	0.2	TO-15			9/30/10 19:51	JSS	A
1,2,4-Trimethylbenzene	18	ug/m3		2	0.1	TO-15			9/30/10 19:51	JSS	A
1,3,5-Trimethylbenzene	4	ug/m3		2	0.1	TO-15			9/30/10 19:51	JSS	A
1,2,3-Trimethylbenzene	5	ug/m3		2	0.1	TO-15			9/30/10 19:51	JSS	A
Vinyl Acetate	1 U	ug/m3		1	0.1	TO-15			9/30/10 19:51	JSS	A
Vinyl Bromide	2 U	ug/m3		2	0.1	TO-15			9/30/10 19:51	JSS	A
Vinyl Chloride	1 U	ug/m3		1	0.08	TO-15			9/30/10 19:51	JSS	A
o-Xylene	5	ug/m3		2	0.1	TO-15			9/30/10 19:51	JSS	A
mp-Xylenes	10	ug/m3		3	0.2	TO-15			9/30/10 19:51	JSS	A
<i>Surrogate Recoveries</i>	<i>Results</i>	<i>Units</i>	<i>Footnotes</i>	<i>Limits</i>		<i>Method</i>	<i>Prepared</i>	<i>By</i>	<i>Analyzed</i>	<i>By</i>	<i>Cntr</i>
4-Bromofluorobenzene (S)	110	%		70-130		TO-15			9/30/10 19:51	JSS	A

Sample Comments:

This sample was run at a 2x dilution due to insufficient sample volume. JSS 10/1/10.

Anna G Milliken
Anna G Milliken
Laboratory Manager



ANALYTICAL RESULTS

Workorder: 9866056 EBE003|BETHPAGE-NY

Lab ID: **9866056005**
Sample ID: **SVE 1031-91610**

Date Collected: 9/16/2010 14:00
Date Received: 9/17/2010 09:20

Matrix: Air

Parameters	Results	Units	Footnotes	RDL	MDL	Method	Prepared By	Analyzed	By	Cntr
VOLATILE ORGANICS @ STP										
Acetone	5.6	ppbv	1	0.20	0.034	TO-15		9/30/10 01:08	JEA	A
Acrylonitrile	0.20 U	ppbv		0.20	0.016	TO-15		9/30/10 01:08	JEA	A
tert-Amyl methyl ether	0.20 U	ppbv		0.20	0.012	TO-15		9/30/10 01:08	JEA	A
Benzene	0.56	ppbv		0.20	0.021	TO-15		9/30/10 01:08	JEA	A
Benzyl Chloride	0.20 U	ppbv		0.20	0.015	TO-15		9/30/10 01:08	JEA	A
Bromodichloromethane	0.20 U	ppbv		0.20	0.012	TO-15		9/30/10 01:08	JEA	A
Bromoform	0.20 U	ppbv		0.20	0.010	TO-15		9/30/10 01:08	JEA	A
Bromomethane	0.20 U	ppbv		0.20	0.021	TO-15		9/30/10 01:08	JEA	A
1,3-Butadiene	0.20 U	ppbv		0.20	0.053	TO-15		9/30/10 01:08	JEA	A
n-Butane	1.1	ppbv		0.20	0.030	TO-15		9/30/10 01:08	JEA	A
2-Butanone	0.61	ppbv		0.20	0.017	TO-15		9/30/10 01:08	JEA	A
tert.- Butyl Alcohol	0.20 U	ppbv		0.20	0.014	TO-15		9/30/10 01:08	JEA	A
Carbon Disulfide	0.20 U	ppbv		0.20	0.013	TO-15		9/30/10 01:08	JEA	A
Carbon Tetrachloride	0.20 U	ppbv		0.20	0.014	TO-15		9/30/10 01:08	JEA	A
Chlorobenzene	0.20 U	ppbv		0.20	0.016	TO-15		9/30/10 01:08	JEA	A
Chlorodibromomethane	0.20 U	ppbv		0.20	0.0080	TO-15		9/30/10 01:08	JEA	A
Chloroethane	0.20 U	ppbv		0.20	0.018	TO-15		9/30/10 01:08	JEA	A
Chloroform	0.20 U	ppbv		0.20	0.0080	TO-15		9/30/10 01:08	JEA	A
Chloromethane	0.60	ppbv		0.20	0.018	TO-15		9/30/10 01:08	JEA	A
3-Chloro-1-propene	0.20 U	ppbv		0.20	0.014	TO-15		9/30/10 01:08	JEA	A
o-Chlorotoluene	0.20 U	ppbv		0.20	0.017	TO-15		9/30/10 01:08	JEA	A
Cyclohexane	0.33	ppbv		0.20	0.011	TO-15		9/30/10 01:08	JEA	A
1,2-Dibromoethane	0.20 U	ppbv		0.20	0.010	TO-15		9/30/10 01:08	JEA	A
1,2-Dichlorobenzene	0.20 U	ppbv		0.20	0.0090	TO-15		9/30/10 01:08	JEA	A
1,3-Dichlorobenzene	0.20 U	ppbv		0.20	0.015	TO-15		9/30/10 01:08	JEA	A
1,4-Dichlorobenzene	0.20 U	ppbv		0.20	0.013	TO-15		9/30/10 01:08	JEA	A
Dichlorodifluoromethane	0.62	ppbv		0.20	0.011	TO-15		9/30/10 01:08	JEA	A
1,1-Dichloroethane	0.20 U	ppbv		0.20	0.014	TO-15		9/30/10 01:08	JEA	A
1,2-Dichloroethane	0.20 U	ppbv		0.20	0.016	TO-15		9/30/10 01:08	JEA	A
1,1-Dichloroethene	0.20 U	ppbv		0.20	0.017	TO-15		9/30/10 01:08	JEA	A
cis-1,2-Dichloroethene	0.30	ppbv	2	0.20	0.036	TO-15		9/30/10 01:08	JEA	A
trans-1,2-Dichloroethene	0.20 U	ppbv		0.20	0.010	TO-15		9/30/10 01:08	JEA	A
1,2-Dichloropropane	0.20 U	ppbv		0.20	0.016	TO-15		9/30/10 01:08	JEA	A
cis-1,3-Dichloropropene	0.20 U	ppbv		0.20	0.013	TO-15		9/30/10 01:08	JEA	A
trans-1,3-Dichloropropene	0.20 U	ppbv		0.20	0.013	TO-15		9/30/10 01:08	JEA	A
1,3-Dichloropropene, Total	0.20 U	ppbv		0.20	0.10	TO-15		9/30/10 01:08	JEA	A
Diisopropyl ether	0.67	ppbv	3	0.20	0.14	TO-15		9/30/10 01:08	JEA	A
1,4-Dioxane	0.20 U	ppbv		0.20	0.021	TO-15		9/30/10 01:08	JEA	A
Ethanol	8.8	ppbv	4	0.20	0.083	TO-15		9/30/10 01:08	JEA	A
Ethyl Acetate	0.71	ppbv		0.20	0.14	TO-15		9/30/10 01:08	JEA	A
Ethyl tert-butyl ether	0.20 U	ppbv		0.20	0.014	TO-15		9/30/10 01:08	JEA	A
Ethylbenzene	0.35	ppbv		0.20	0.0090	TO-15		9/30/10 01:08	JEA	A
4-Ethyltoluene	0.20 U	ppbv		0.20	0.012	TO-15		9/30/10 01:08	JEA	A
Freon 113	0.20 U	ppbv		0.20	0.014	TO-15		9/30/10 01:08	JEA	A
Freon-114	0.20 U	ppbv		0.20	0.019	TO-15		9/30/10 01:08	JEA	A
Heptane	0.38	ppbv		0.20	0.021	TO-15		9/30/10 01:08	JEA	A



ANALYTICAL RESULTS

Workorder: 9866056 EBE003|BETHPAGE-NY

Lab ID: **9866056005**
Sample ID: **SVE 1031-91610**

Date Collected: 9/16/2010 14:00
Date Received: 9/17/2010 09:20

Matrix: Air

Parameters	Results	Units	Footnotes	RDL	MDL	Method	Prepared By	Analyzed	By	Cntr
Hexachlorobutadiene	0.20 U	ppbv		0.20	0.019	TO-15		9/30/10 01:08	JEA	A
Hexane	1.6	ppbv		0.20	0.014	TO-15		9/30/10 01:08	JEA	A
2-Hexanone	0.20 U	ppbv		0.20	0.012	TO-15		9/30/10 01:08	JEA	A
Isopropyl Alcohol	1.8	ppbv	19	0.20	0.018	TO-15		9/30/10 01:08	JEA	A
Isopropylbenzene	0.20 U	ppbv		0.20	0.012	TO-15		9/30/10 01:08	JEA	A
p-Isopropyltoluene	0.20 U	ppbv		0.20	0.014	TO-15		9/30/10 01:08	JEA	A
Methyl methacrylate	0.20 U	ppbv		0.20	0.015	TO-15		9/30/10 01:08	JEA	A
Methyl t-Butyl Ether	0.40	ppbv		0.20	0.012	TO-15		9/30/10 01:08	JEA	A
4-Methyl-2-Pentanone(MIBK)	0.20 U	ppbv		0.20	0.018	TO-15		9/30/10 01:08	JEA	A
Methylene Chloride	8.3	ppbv	5	0.20	0.013	TO-15		9/30/10 01:08	JEA	A
Naphthalene	0.20 U	ppbv		0.20	0.027	TO-15		9/30/10 01:08	JEA	A
iso-Octane	0.35	ppbv		0.20	0.011	TO-15		9/30/10 01:08	JEA	A
n-Propylbenzene	0.20 U	ppbv		0.20	0.014	TO-15		9/30/10 01:08	JEA	A
Propylene	0.20 U	ppbv		0.20	0.019	TO-15		9/30/10 01:08	JEA	A
Styrene	0.20 U	ppbv		0.20	0.015	TO-15		9/30/10 01:08	JEA	A
1,1,2,2-Tetrachloroethane	0.20 U	ppbv		0.20	0.015	TO-15		9/30/10 01:08	JEA	A
Tetrachloroethene	0.20 U	ppbv		0.20	0.011	TO-15		9/30/10 01:08	JEA	A
Tetrahydrofuran	0.35	ppbv		0.20	0.011	TO-15		9/30/10 01:08	JEA	A
Toluene	1.5	ppbv		0.20	0.0090	TO-15		9/30/10 01:08	JEA	A
Total Xylenes	1.3	ppbv		0.20	0.10	TO-15		9/30/10 01:08	JEA	A
1,2,4-Trichlorobenzene	0.20 U	ppbv		0.20	0.019	TO-15		9/30/10 01:08	JEA	A
1,1,1-Trichloroethane	0.20 U	ppbv		0.20	0.014	TO-15		9/30/10 01:08	JEA	A
1,1,2-Trichloroethane	0.20 U	ppbv		0.20	0.016	TO-15		9/30/10 01:08	JEA	A
Trichloroethene	0.20 U	ppbv		0.20	0.011	TO-15		9/30/10 01:08	JEA	A
Trichlorofluoromethane	0.44	ppbv		0.20	0.013	TO-15		9/30/10 01:08	JEA	A
1,2,3-Trichloropropane	0.20 U	ppbv		0.20	0.017	TO-15		9/30/10 01:08	JEA	A
1,2,4-Trimethylbenzene	0.34	ppbv		0.20	0.013	TO-15		9/30/10 01:08	JEA	A
1,3,5-Trimethylbenzene	0.20 U	ppbv		0.20	0.014	TO-15		9/30/10 01:08	JEA	A
1,2,3-Trimethylbenzene	0.20 U	ppbv		0.20	0.010	TO-15		9/30/10 01:08	JEA	A
Vinyl Acetate	0.81	ppbv		0.20	0.016	TO-15		9/30/10 01:08	JEA	A
Vinyl Bromide	0.20 U	ppbv		0.20	0.016	TO-15		9/30/10 01:08	JEA	A
Vinyl Chloride	0.20 U	ppbv		0.20	0.016	TO-15		9/30/10 01:08	JEA	A
o-Xylene	0.36	ppbv		0.20	0.012	TO-15		9/30/10 01:08	JEA	A
mp-Xylene	0.95	ppbv		0.40	0.022	TO-15		9/30/10 01:08	JEA	A
Acetone	13	ug/m3		0.5	0.08	TO-15		9/30/10 01:08	JEA	A
Acrylonitrile	0.4 U	ug/m3		0.4	0.04	TO-15		9/30/10 01:08	JEA	A
tert-Amyl methyl ether	0.8 U	ug/m3		0.8	0.05	TO-15		9/30/10 01:08	JEA	A
Benzene	2	ug/m3		0.6	0.07	TO-15		9/30/10 01:08	JEA	A
Benzyl Chloride	1 U	ug/m3		1	0.08	TO-15		9/30/10 01:08	JEA	A
Bromodichloromethane	1 U	ug/m3		1	0.08	TO-15		9/30/10 01:08	JEA	A
Bromoform	2 U	ug/m3		2	0.1	TO-15		9/30/10 01:08	JEA	A
Bromomethane	0.8 U	ug/m3		0.8	0.08	TO-15		9/30/10 01:08	JEA	A
1,3-Butadiene	0.4 U	ug/m3		0.4	0.1	TO-15		9/30/10 01:08	JEA	A
n-Butane	3	ug/m3		0.5	0.07	TO-15		9/30/10 01:08	JEA	A
2-Butanone	2	ug/m3		0.6	0.05	TO-15		9/30/10 01:08	JEA	A
tert.- Butyl Alcohol	0.6 U	ug/m3		0.6	0.04	TO-15		9/30/10 01:08	JEA	A



ANALYTICAL RESULTS

Workorder: 9866056 EBE003|BETHPAGE-NY

Lab ID: **9866056005**
Sample ID: **SVE 1031-91610**

Date Collected: 9/16/2010 14:00
Date Received: 9/17/2010 09:20

Matrix: Air

Parameters	Results	Units	Footnotes	RDL	MDL	Method	Prepared By	Analyzed	By	Cntr
Carbon Disulfide	0.6 U	ug/m3		0.6	0.04	TO-15		9/30/10 01:08	JEA	A
Carbon Tetrachloride	1 U	ug/m3		1	0.09	TO-15		9/30/10 01:08	JEA	A
Chlorobenzene	0.9 U	ug/m3		0.9	0.07	TO-15		9/30/10 01:08	JEA	A
Chlorodibromomethane	2 U	ug/m3		2	0.07	TO-15		9/30/10 01:08	JEA	A
Chloroethane	0.5 U	ug/m3		0.5	0.05	TO-15		9/30/10 01:08	JEA	A
Chloroform	1 U	ug/m3		1	0.04	TO-15		9/30/10 01:08	JEA	A
Chloromethane	1	ug/m3		0.4	0.04	TO-15		9/30/10 01:08	JEA	A
3-Chloro-1-propene	0.6 U	ug/m3		0.6	0.04	TO-15		9/30/10 01:08	JEA	A
o-Chlorotoluene	1 U	ug/m3		1	0.09	TO-15		9/30/10 01:08	JEA	A
Cyclohexane	1	ug/m3		0.7	0.04	TO-15		9/30/10 01:08	JEA	A
1,2-Dibromoethane	2 U	ug/m3		2	0.08	TO-15		9/30/10 01:08	JEA	A
1,2-Dichlorobenzene	1 U	ug/m3		1	0.05	TO-15		9/30/10 01:08	JEA	A
1,3-Dichlorobenzene	1 U	ug/m3		1	0.09	TO-15		9/30/10 01:08	JEA	A
1,4-Dichlorobenzene	1 U	ug/m3		1	0.08	TO-15		9/30/10 01:08	JEA	A
Dichlorodifluoromethane	3	ug/m3		1	0.05	TO-15		9/30/10 01:08	JEA	A
1,1-Dichloroethane	0.8 U	ug/m3		0.8	0.06	TO-15		9/30/10 01:08	JEA	A
1,2-Dichloroethane	0.8 U	ug/m3		0.8	0.07	TO-15		9/30/10 01:08	JEA	A
1,1-Dichloroethene	0.8 U	ug/m3		0.8	0.07	TO-15		9/30/10 01:08	JEA	A
cis-1,2-Dichloroethene	1	ug/m3		0.8	0.1	TO-15		9/30/10 01:08	JEA	A
trans-1,2-Dichloroethene	0.8 U	ug/m3		0.8	0.04	TO-15		9/30/10 01:08	JEA	A
1,2-Dichloropropane	0.9 U	ug/m3		0.9	0.07	TO-15		9/30/10 01:08	JEA	A
cis-1,3-Dichloropropene	0.9 U	ug/m3		0.9	0.06	TO-15		9/30/10 01:08	JEA	A
trans-1,3-Dichloropropene	0.9 U	ug/m3		0.9	0.06	TO-15		9/30/10 01:08	JEA	A
1,3-Dichloropropene, Total	0.9 U	ug/m3		0.9	0.1	TO-15		9/30/10 01:08	JEA	A
Diisopropyl ether	3	ug/m3		0.8	0.6	TO-15		9/30/10 01:08	JEA	A
1,4-Dioxane	0.7 U	ug/m3		0.7	0.08	TO-15		9/30/10 01:08	JEA	A
Ethanol	17	ug/m3		0.4	0.2	TO-15		9/30/10 01:08	JEA	A
Ethyl Acetate	3	ug/m3		0.8	0.5	TO-15		9/30/10 01:08	JEA	A
Ethyl tert-butyl ether	0.8 U	ug/m3		0.8	0.06	TO-15		9/30/10 01:08	JEA	A
Ethylbenzene	1	ug/m3		0.9	0.04	TO-15		9/30/10 01:08	JEA	A
4-Ethyltoluene	1 U	ug/m3		1	0.06	TO-15		9/30/10 01:08	JEA	A
Freon 113	2 U	ug/m3		2	0.1	TO-15		9/30/10 01:08	JEA	A
Freon-114	1 U	ug/m3		1	0.1	TO-15		9/30/10 01:08	JEA	A
Heptane	2	ug/m3		0.8	0.09	TO-15		9/30/10 01:08	JEA	A
Hexachlorobutadiene	2 U	ug/m3		2	0.2	TO-15		9/30/10 01:08	JEA	A
Hexane	6	ug/m3		0.7	0.05	TO-15		9/30/10 01:08	JEA	A
2-Hexanone	0.8 U	ug/m3		0.8	0.05	TO-15		9/30/10 01:08	JEA	A
Isopropyl Alcohol	4	ug/m3		0.5	0.04	TO-15		9/30/10 01:08	JEA	A
Isopropylbenzene	1 U	ug/m3		1	0.06	TO-15		9/30/10 01:08	JEA	A
p-Isopropyltoluene	1 U	ug/m3		1	0.08	TO-15		9/30/10 01:08	JEA	A
Methyl Methacrylate	0.8 U	ug/m3		0.8	0.06	TO-15		9/30/10 01:08	JEA	A
Methyl t-Butyl Ether	1	ug/m3		0.7	0.04	TO-15		9/30/10 01:08	JEA	A
4-Methyl-2-Pentanone(MIBK)	0.8 U	ug/m3		0.8	0.07	TO-15		9/30/10 01:08	JEA	A
Methylene Chloride	29	ug/m3		0.7	0.05	TO-15		9/30/10 01:08	JEA	A
Naphthalene	1 U	ug/m3		1	0.1	TO-15		9/30/10 01:08	JEA	A
iso-Octane	2	ug/m3		0.9	0.05	TO-15		9/30/10 01:08	JEA	A



ANALYTICAL RESULTS

Workorder: 9866056 EBE003|BETHPAGE-NY

Lab ID: **9866056005**
Sample ID: **SVE 103I-91610**

Date Collected: 9/16/2010 14:00
Date Received: 9/17/2010 09:20

Matrix: Air

Parameters	Results	Units	Footnotes	RDL	MDL	Method	Prepared By	Analyzed	By	Cntr
n-Propylbenzene	1 U	ug/m3		1	0.07	TO-15		9/30/10 01:08	JEA	A
Propylene	0.3 U	ug/m3		0.3	0.03	TO-15		9/30/10 01:08	JEA	A
Styrene	0.9 U	ug/m3		0.9	0.06	TO-15		9/30/10 01:08	JEA	A
1,1,2,2-Tetrachloroethane	1 U	ug/m3		1	0.07	TO-15		9/30/10 01:08	JEA	A
Tetrachloroethene	1 U	ug/m3		1	0.08	TO-15		9/30/10 01:08	JEA	A
Tetrahydrofuran	1	ug/m3		0.6	0.03	TO-15		9/30/10 01:08	JEA	A
Toluene	6	ug/m3		0.8	0.03	TO-15		9/30/10 01:08	JEA	A
Total Xylenes	6	ug/m3		0.9	0.1	TO-15		9/30/10 01:08	JEA	A
1,2,4-Trichlorobenzene	1 U	ug/m3		1	0.1	TO-15		9/30/10 01:08	JEA	A
1,1,1-Trichloroethane	1 U	ug/m3		1	0.08	TO-15		9/30/10 01:08	JEA	A
1,1,2-Trichloroethane	1 U	ug/m3		1	0.09	TO-15		9/30/10 01:08	JEA	A
Trichloroethene	1 U	ug/m3		1	0.06	TO-15		9/30/10 01:08	JEA	A
Trichlorofluoromethane	2	ug/m3		1	0.07	TO-15		9/30/10 01:08	JEA	A
1,2,3-Trichloropropane	1 U	ug/m3		1	0.1	TO-15		9/30/10 01:08	JEA	A
1,2,4-Trimethylbenzene	2	ug/m3		1	0.06	TO-15		9/30/10 01:08	JEA	A
1,3,5-Trimethylbenzene	1 U	ug/m3		1	0.07	TO-15		9/30/10 01:08	JEA	A
1,2,3-Trimethylbenzene	1 U	ug/m3		1	0.05	TO-15		9/30/10 01:08	JEA	A
Vinyl Acetate	3	ug/m3		0.7	0.06	TO-15		9/30/10 01:08	JEA	A
Vinyl Bromide	0.9 U	ug/m3		0.9	0.07	TO-15		9/30/10 01:08	JEA	A
Vinyl Chloride	0.5 U	ug/m3		0.5	0.04	TO-15		9/30/10 01:08	JEA	A
o-Xylene	2	ug/m3		0.9	0.05	TO-15		9/30/10 01:08	JEA	A
mp-Xylenes	4	ug/m3		2	0.1	TO-15		9/30/10 01:08	JEA	A
<i>Surrogate Recoveries</i>	<i>Results</i>	<i>Units</i>	<i>Footnotes</i>	<i>Limits</i>		<i>Method</i>	<i>Prepared By</i>	<i>Analyzed</i>	<i>By</i>	<i>Cntr</i>
4-Bromofluorobenzene (S)	111	%		70-130		TO-15		9/30/10 01:08	JEA	A

Sample Comments:

Anna G Milliken
Laboratory Manager



ANALYTICAL RESULTS

Workorder: 9866056 EBE003|BETHPAGE-NY

Lab ID: **9866056006**
Sample ID: **SVE 103D-91610**

Date Collected: 9/16/2010 14:30
Date Received: 9/17/2010 09:20

Matrix: Air

Parameters	Results	Units	Footnotes	RDL	MDL	Method	Prepared By	Analyzed	By	Cntr
VOLATILE ORGANICS @ STP										
Acetone	4.2	ppbv	20	0.65	0.11	TO-15		9/28/10 08:22	JSS	A
Acrylonitrile	0.65 U	ppbv		0.65	0.052	TO-15		9/28/10 08:22	JSS	A
tert-Amyl methyl ether	0.65 U	ppbv		0.65	0.039	TO-15		9/28/10 08:22	JSS	A
Benzene	0.65 U	ppbv		0.65	0.068	TO-15		9/28/10 08:22	JSS	A
Benzyl Chloride	0.65 U	ppbv		0.65	0.048	TO-15		9/28/10 08:22	JSS	A
Bromodichloromethane	0.65 U	ppbv		0.65	0.039	TO-15		9/28/10 08:22	JSS	A
Bromoform	0.65 U	ppbv		0.65	0.032	TO-15		9/28/10 08:22	JSS	A
Bromomethane	0.65 U	ppbv		0.65	0.068	TO-15		9/28/10 08:22	JSS	A
1,3-Butadiene	0.65 U	ppbv		0.65	0.17	TO-15		9/28/10 08:22	JSS	A
n-Butane	1.0	ppbv		0.65	0.097	TO-15		9/28/10 08:22	JSS	A
2-Butanone	1.4	ppbv		0.65	0.055	TO-15		9/28/10 08:22	JSS	A
tert.- Butyl Alcohol	1.0	ppbv		0.65	0.045	TO-15		9/28/10 08:22	JSS	A
Carbon Disulfide	0.65 U	ppbv		0.65	0.042	TO-15		9/28/10 08:22	JSS	A
Carbon Tetrachloride	0.65 U	ppbv		0.65	0.045	TO-15		9/28/10 08:22	JSS	A
Chlorobenzene	0.65 U	ppbv		0.65	0.052	TO-15		9/28/10 08:22	JSS	A
Chlorodibromomethane	0.65 U	ppbv		0.65	0.026	TO-15		9/28/10 08:22	JSS	A
Chloroethane	0.65 U	ppbv		0.65	0.058	TO-15		9/28/10 08:22	JSS	A
Chloroform	0.65 U	ppbv		0.65	0.026	TO-15		9/28/10 08:22	JSS	A
Chloromethane	1.3	ppbv	21	0.65	0.058	TO-15		9/28/10 08:22	JSS	A
3-Chloro-1-propene	0.65 U	ppbv		0.65	0.045	TO-15		9/28/10 08:22	JSS	A
o-Chlorotoluene	0.65 U	ppbv		0.65	0.055	TO-15		9/28/10 08:22	JSS	A
Cyclohexane	0.65 U	ppbv		0.65	0.036	TO-15		9/28/10 08:22	JSS	A
1,2-Dibromoethane	0.65 U	ppbv		0.65	0.032	TO-15		9/28/10 08:22	JSS	A
1,2-Dichlorobenzene	0.65 U	ppbv		0.65	0.029	TO-15		9/28/10 08:22	JSS	A
1,3-Dichlorobenzene	0.65 U	ppbv		0.65	0.048	TO-15		9/28/10 08:22	JSS	A
1,4-Dichlorobenzene	0.65 U	ppbv		0.65	0.042	TO-15		9/28/10 08:22	JSS	A
Dichlorodifluoromethane	1.3	ppbv	22	0.65	0.036	TO-15		9/28/10 08:22	JSS	A
1,1-Dichloroethane	0.65 U	ppbv		0.65	0.045	TO-15		9/28/10 08:22	JSS	A
1,2-Dichloroethane	0.65 U	ppbv		0.65	0.052	TO-15		9/28/10 08:22	JSS	A
1,1-Dichloroethene	0.65 U	ppbv		0.65	0.055	TO-15		9/28/10 08:22	JSS	A
cis-1,2-Dichloroethene	0.65 U	ppbv		0.65	0.12	TO-15		9/28/10 08:22	JSS	A
trans-1,2-Dichloroethene	0.65 U	ppbv		0.65	0.032	TO-15		9/28/10 08:22	JSS	A
1,2-Dichloropropane	0.65 U	ppbv		0.65	0.052	TO-15		9/28/10 08:22	JSS	A
cis-1,3-Dichloropropene	0.65 U	ppbv		0.65	0.042	TO-15		9/28/10 08:22	JSS	A
trans-1,3-Dichloropropene	0.65 U	ppbv		0.65	0.042	TO-15		9/28/10 08:22	JSS	A
1,3-Dichloropropene, Total	0.65 U	ppbv		0.65	0.32	TO-15		9/28/10 08:22	JSS	A
Diisopropyl ether	1.2	ppbv	23	0.65	0.45	TO-15		9/28/10 08:22	JSS	A
1,4-Dioxane	0.65 U	ppbv		0.65	0.068	TO-15		9/28/10 08:22	JSS	A
Ethanol	3.0	ppbv	24	0.65	0.27	TO-15		9/28/10 08:22	JSS	A
Ethyl Acetate	1.3	ppbv		0.65	0.45	TO-15		9/28/10 08:22	JSS	A
Ethyl tert-butyl ether	0.65 U	ppbv		0.65	0.045	TO-15		9/28/10 08:22	JSS	A
Ethylbenzene	0.65 U	ppbv		0.65	0.029	TO-15		9/28/10 08:22	JSS	A
4-Ethyltoluene	0.65 U	ppbv		0.65	0.039	TO-15		9/28/10 08:22	JSS	A
Freon 113	0.65 U	ppbv		0.65	0.045	TO-15		9/28/10 08:22	JSS	A
Freon-114	0.65 U	ppbv		0.65	0.061	TO-15		9/28/10 08:22	JSS	A
Heptane	0.65 U	ppbv		0.65	0.068	TO-15		9/28/10 08:22	JSS	A



ANALYTICAL RESULTS

Workorder: 9866056 EBE003|BETHPAGE-NY

Lab ID: **9866056006**
Sample ID: **SVE 103D-91610**

Date Collected: 9/16/2010 14:30
Date Received: 9/17/2010 09:20

Matrix: Air

Parameters	Results	Units	Footnotes	RDL	MDL	Method	Prepared By	Analyzed	By	Cntr
Hexachlorobutadiene	0.65 U	ppbv		0.65	0.061	TO-15		9/28/10 08:22	JSS	A
Hexane	0.98	ppbv		0.65	0.045	TO-15		9/28/10 08:22	JSS	A
2-Hexanone	0.65 U	ppbv		0.65	0.039	TO-15		9/28/10 08:22	JSS	A
Isopropyl Alcohol	1.9	ppbv	25	0.65	0.058	TO-15		9/28/10 08:22	JSS	A
Isopropylbenzene	0.65 U	ppbv		0.65	0.039	TO-15		9/28/10 08:22	JSS	A
p-Isopropyltoluene	0.65 U	ppbv		0.65	0.045	TO-15		9/28/10 08:22	JSS	A
Methyl methacrylate	0.65 U	ppbv		0.65	0.048	TO-15		9/28/10 08:22	JSS	A
Methyl t-Butyl Ether	0.65 U	ppbv		0.65	0.039	TO-15		9/28/10 08:22	JSS	A
4-Methyl-2-Pentanone(MIBK)	0.65 U	ppbv		0.65	0.058	TO-15		9/28/10 08:22	JSS	A
Methylene Chloride	2.0	ppbv	26	0.65	0.042	TO-15		9/28/10 08:22	JSS	A
Naphthalene	0.65 U	ppbv		0.65	0.087	TO-15		9/28/10 08:22	JSS	A
iso-Octane	0.65 U	ppbv		0.65	0.036	TO-15		9/28/10 08:22	JSS	A
n-Propylbenzene	0.65 U	ppbv		0.65	0.045	TO-15		9/28/10 08:22	JSS	A
Propylene	0.65 U	ppbv		0.65	0.061	TO-15		9/28/10 08:22	JSS	A
Styrene	0.65 U	ppbv		0.65	0.048	TO-15		9/28/10 08:22	JSS	A
1,1,2,2-Tetrachloroethane	0.65 U	ppbv		0.65	0.048	TO-15		9/28/10 08:22	JSS	A
Tetrachloroethene	1.4	ppbv		0.65	0.036	TO-15		9/28/10 08:22	JSS	A
Tetrahydrofuran	1.3	ppbv		0.65	0.036	TO-15		9/28/10 08:22	JSS	A
Toluene	0.98	ppbv		0.65	0.029	TO-15		9/28/10 08:22	JSS	A
Total Xylenes	0.65 U	ppbv		0.65	0.32	TO-15		9/28/10 08:22	JSS	A
1,2,4-Trichlorobenzene	0.65 U	ppbv		0.65	0.061	TO-15		9/28/10 08:22	JSS	A
1,1,1-Trichloroethane	0.65 U	ppbv		0.65	0.045	TO-15		9/28/10 08:22	JSS	A
1,1,2-Trichloroethane	0.65 U	ppbv		0.65	0.052	TO-15		9/28/10 08:22	JSS	A
Trichloroethene	1.3	ppbv		0.65	0.036	TO-15		9/28/10 08:22	JSS	A
Trichlorofluoromethane	1.0	ppbv	27	0.65	0.042	TO-15		9/28/10 08:22	JSS	A
1,2,3-Trichloropropane	0.65 U	ppbv		0.65	0.055	TO-15		9/28/10 08:22	JSS	A
1,2,4-Trimethylbenzene	1.6	ppbv		0.65	0.042	TO-15		9/28/10 08:22	JSS	A
1,3,5-Trimethylbenzene	0.65 U	ppbv		0.65	0.045	TO-15		9/28/10 08:22	JSS	A
1,2,3-Trimethylbenzene	1.0	ppbv		0.65	0.032	TO-15		9/28/10 08:22	JSS	A
Vinyl Acetate	1.2	ppbv		0.65	0.052	TO-15		9/28/10 08:22	JSS	A
Vinyl Bromide	0.65 U	ppbv		0.65	0.052	TO-15		9/28/10 08:22	JSS	A
Vinyl Chloride	0.65 U	ppbv		0.65	0.052	TO-15		9/28/10 08:22	JSS	A
o-Xylene	0.65 U	ppbv		0.65	0.039	TO-15		9/28/10 08:22	JSS	A
mp-Xylene	1.3 U	ppbv		1.3	0.071	TO-15		9/28/10 08:22	JSS	A
Acetone	10	ug/m3		2	0.3	TO-15		9/28/10 08:22	JSS	A
Acrylonitrile	1 U	ug/m3		1	0.1	TO-15		9/28/10 08:22	JSS	A
tert-Amyl methyl ether	3 U	ug/m3		3	0.2	TO-15		9/28/10 08:22	JSS	A
Benzene	2 U	ug/m3		2	0.2	TO-15		9/28/10 08:22	JSS	A
Benzyl Chloride	3 U	ug/m3		3	0.3	TO-15		9/28/10 08:22	JSS	A
Bromodichloromethane	4 U	ug/m3		4	0.3	TO-15		9/28/10 08:22	JSS	A
Bromoform	7 U	ug/m3		7	0.3	TO-15		9/28/10 08:22	JSS	A
Bromomethane	3 U	ug/m3		3	0.3	TO-15		9/28/10 08:22	JSS	A
1,3-Butadiene	1 U	ug/m3		1	0.4	TO-15		9/28/10 08:22	JSS	A
n-Butane	2	ug/m3		2	0.2	TO-15		9/28/10 08:22	JSS	A
2-Butanone	4	ug/m3		2	0.2	TO-15		9/28/10 08:22	JSS	A
tert.- Butyl Alcohol	3	ug/m3		2	0.1	TO-15		9/28/10 08:22	JSS	A



ANALYTICAL RESULTS

Workorder: 9866056 EBE003|BETHPAGE-NY

Lab ID: **9866056006**
Sample ID: **SVE 103D-91610**

Date Collected: 9/16/2010 14:30
Date Received: 9/17/2010 09:20

Matrix: Air

Parameters	Results	Units	Footnotes	RDL	MDL	Method	Prepared	By	Analyzed	By	Cntr
Carbon Disulfide	2 U	ug/m3		2	0.1	TO-15			9/28/10 08:22	JSS	A
Carbon Tetrachloride	4 U	ug/m3		4	0.3	TO-15			9/28/10 08:22	JSS	A
Chlorobenzene	3 U	ug/m3		3	0.2	TO-15			9/28/10 08:22	JSS	A
Chlorodibromomethane	5 U	ug/m3		5	0.2	TO-15			9/28/10 08:22	JSS	A
Chloroethane	2 U	ug/m3		2	0.2	TO-15			9/28/10 08:22	JSS	A
Chloroform	3 U	ug/m3		3	0.1	TO-15			9/28/10 08:22	JSS	A
Chloromethane	3	ug/m3		1	0.1	TO-15			9/28/10 08:22	JSS	A
3-Chloro-1-propene	2 U	ug/m3		2	0.1	TO-15			9/28/10 08:22	JSS	A
o-Chlorotoluene	3 U	ug/m3		3	0.3	TO-15			9/28/10 08:22	JSS	A
Cyclohexane	2 U	ug/m3		2	0.1	TO-15			9/28/10 08:22	JSS	A
1,2-Dibromoethane	5 U	ug/m3		5	0.2	TO-15			9/28/10 08:22	JSS	A
1,2-Dichlorobenzene	4 U	ug/m3		4	0.2	TO-15			9/28/10 08:22	JSS	A
1,3-Dichlorobenzene	4 U	ug/m3		4	0.3	TO-15			9/28/10 08:22	JSS	A
1,4-Dichlorobenzene	4 U	ug/m3		4	0.3	TO-15			9/28/10 08:22	JSS	A
Dichlorodifluoromethane	6	ug/m3		3	0.2	TO-15			9/28/10 08:22	JSS	A
1,1-Dichloroethane	3 U	ug/m3		3	0.2	TO-15			9/28/10 08:22	JSS	A
1,2-Dichloroethane	3 U	ug/m3		3	0.2	TO-15			9/28/10 08:22	JSS	A
1,1-Dichloroethene	3 U	ug/m3		3	0.2	TO-15			9/28/10 08:22	JSS	A
cis-1,2-Dichloroethene	3 U	ug/m3		3	0.5	TO-15			9/28/10 08:22	JSS	A
trans-1,2-Dichloroethene	3 U	ug/m3		3	0.1	TO-15			9/28/10 08:22	JSS	A
1,2-Dichloropropane	3 U	ug/m3		3	0.2	TO-15			9/28/10 08:22	JSS	A
cis-1,3-Dichloropropene	3 U	ug/m3		3	0.2	TO-15			9/28/10 08:22	JSS	A
trans-1,3-Dichloropropene	3 U	ug/m3		3	0.2	TO-15			9/28/10 08:22	JSS	A
1,3-Dichloropropene, Total	3 U	ug/m3		3	0.3	TO-15			9/28/10 08:22	JSS	A
Diisopropyl ether	5	ug/m3		3	2	TO-15			9/28/10 08:22	JSS	A
1,4-Dioxane	2 U	ug/m3		2	0.2	TO-15			9/28/10 08:22	JSS	A
Ethanol	6	ug/m3		1	0.5	TO-15			9/28/10 08:22	JSS	A
Ethyl Acetate	5	ug/m3		2	2	TO-15			9/28/10 08:22	JSS	A
Ethyl tert-butyl ether	3 U	ug/m3		3	0.2	TO-15			9/28/10 08:22	JSS	A
Ethylbenzene	3 U	ug/m3		3	0.1	TO-15			9/28/10 08:22	JSS	A
4-Ethyltoluene	3 U	ug/m3		3	0.2	TO-15			9/28/10 08:22	JSS	A
Freon 113	5 U	ug/m3		5	0.3	TO-15			9/28/10 08:22	JSS	A
Freon-114	5 U	ug/m3		5	0.4	TO-15			9/28/10 08:22	JSS	A
Heptane	3 U	ug/m3		3	0.3	TO-15			9/28/10 08:22	JSS	A
Hexachlorobutadiene	7 U	ug/m3		7	0.7	TO-15			9/28/10 08:22	JSS	A
Hexane	3	ug/m3		2	0.2	TO-15			9/28/10 08:22	JSS	A
2-Hexanone	3 U	ug/m3		3	0.2	TO-15			9/28/10 08:22	JSS	A
Isopropyl Alcohol	5	ug/m3		2	0.1	TO-15			9/28/10 08:22	JSS	A
Isopropylbenzene	3 U	ug/m3		3	0.2	TO-15			9/28/10 08:22	JSS	A
p-Isopropyltoluene	4 U	ug/m3		4	0.2	TO-15			9/28/10 08:22	JSS	A
Methyl Methacrylate	3 U	ug/m3		3	0.2	TO-15			9/28/10 08:22	JSS	A
Methyl t-Butyl Ether	2 U	ug/m3		2	0.1	TO-15			9/28/10 08:22	JSS	A
4-Methyl-2-Pentanone(MIBK)	3 U	ug/m3		3	0.2	TO-15			9/28/10 08:22	JSS	A
Methylene Chloride	7	ug/m3		2	0.1	TO-15			9/28/10 08:22	JSS	A
Naphthalene	3 U	ug/m3		3	0.5	TO-15			9/28/10 08:22	JSS	A
iso-Octane	3 U	ug/m3		3	0.2	TO-15			9/28/10 08:22	JSS	A



ANALYTICAL RESULTS

Workorder: 9866056 EBE003|BETHPAGE-NY

Lab ID: **9866056006**
Sample ID: **SVE 103D-91610**

Date Collected: 9/16/2010 14:30
Date Received: 9/17/2010 09:20

Matrix: Air

Parameters	Results	Units	Footnotes	RDL	MDL	Method	Prepared By	Analyzed	By	Cntr
n-Propylbenzene	3 U	ug/m3		3	0.2	TO-15		9/28/10 08:22	JSS	A
Propylene	1 U	ug/m3		1	0.1	TO-15		9/28/10 08:22	JSS	A
Styrene	3 U	ug/m3		3	0.2	TO-15		9/28/10 08:22	JSS	A
1,1,2,2-Tetrachloroethane	4 U	ug/m3		4	0.2	TO-15		9/28/10 08:22	JSS	A
Tetrachloroethene	9	ug/m3		4	0.2	TO-15		9/28/10 08:22	JSS	A
Tetrahydrofuran	4	ug/m3		2	0.1	TO-15		9/28/10 08:22	JSS	A
Toluene	4	ug/m3		2	0.1	TO-15		9/28/10 08:22	JSS	A
Total Xylenes	3 U	ug/m3		3	0.3	TO-15		9/28/10 08:22	JSS	A
1,2,4-Trichlorobenzene	5 U	ug/m3		5	0.5	TO-15		9/28/10 08:22	JSS	A
1,1,1-Trichloroethane	4 U	ug/m3		4	0.2	TO-15		9/28/10 08:22	JSS	A
1,1,2-Trichloroethane	4 U	ug/m3		4	0.3	TO-15		9/28/10 08:22	JSS	A
Trichloroethene	7	ug/m3		3	0.2	TO-15		9/28/10 08:22	JSS	A
Trichlorofluoromethane	6	ug/m3		4	0.2	TO-15		9/28/10 08:22	JSS	A
1,2,3-Trichloropropane	4 U	ug/m3		4	0.3	TO-15		9/28/10 08:22	JSS	A
1,2,4-Trimethylbenzene	8	ug/m3		3	0.2	TO-15		9/28/10 08:22	JSS	A
1,3,5-Trimethylbenzene	3 U	ug/m3		3	0.2	TO-15		9/28/10 08:22	JSS	A
1,2,3-Trimethylbenzene	5	ug/m3		3	0.2	TO-15		9/28/10 08:22	JSS	A
Vinyl Acetate	4	ug/m3		2	0.2	TO-15		9/28/10 08:22	JSS	A
Vinyl Bromide	3 U	ug/m3		3	0.2	TO-15		9/28/10 08:22	JSS	A
Vinyl Chloride	2 U	ug/m3		2	0.1	TO-15		9/28/10 08:22	JSS	A
o-Xylene	3 U	ug/m3		3	0.2	TO-15		9/28/10 08:22	JSS	A
mp-Xylenes	6 U	ug/m3		6	0.3	TO-15		9/28/10 08:22	JSS	A
<i>Surrogate Recoveries</i>	<i>Results</i>	<i>Units</i>	<i>Footnotes</i>	<i>Limits</i>		<i>Method</i>	<i>Prepared By</i>	<i>Analyzed</i>	<i>By</i>	<i>Cntr</i>
4-Bromofluorobenzene (S)	101	%		70-130		TO-15		9/28/10 08:22	JSS	A

Sample Comments:

This sample was run at a 3.23x dilution due to insufficient volume of sample submitted. JSS 9/29/10.

Anna G Milliken
Anna G Milliken
Laboratory Manager



ANALYTICAL RESULTS

Workorder: 9866056 EBE003|BETHPAGE-NY

Lab ID: **9866056007**
Sample ID: **SVE 104I-91610**

Date Collected: 9/16/2010 14:30
Date Received: 9/17/2010 09:20

Matrix: Air

Parameters	Results	Units	Footnotes	RDL	MDL	Method	Prepared By	Analyzed	By	Cntr
VOLATILE ORGANICS @ STP										
Acetone	4.8	ppbv	6	0.20	0.034	TO-15		10/1/10 02:36	JSS	A
Acrylonitrile	0.20 U	ppbv		0.20	0.016	TO-15		10/1/10 02:36	JSS	A
tert-Amyl methyl ether	0.20 U	ppbv		0.20	0.012	TO-15		10/1/10 02:36	JSS	A
Benzene	0.37	ppbv		0.20	0.021	TO-15		10/1/10 02:36	JSS	A
Benzyl Chloride	0.20 U	ppbv		0.20	0.015	TO-15		10/1/10 02:36	JSS	A
Bromodichloromethane	0.20 U	ppbv		0.20	0.012	TO-15		10/1/10 02:36	JSS	A
Bromoform	0.20 U	ppbv		0.20	0.010	TO-15		10/1/10 02:36	JSS	A
Bromomethane	0.20 U	ppbv		0.20	0.021	TO-15		10/1/10 02:36	JSS	A
1,3-Butadiene	0.20 U	ppbv		0.20	0.053	TO-15		10/1/10 02:36	JSS	A
n-Butane	1.0	ppbv		0.20	0.030	TO-15		10/1/10 02:36	JSS	A
2-Butanone	1.1	ppbv		0.20	0.017	TO-15		10/1/10 02:36	JSS	A
tert.- Butyl Alcohol	0.20 U	ppbv		0.20	0.014	TO-15		10/1/10 02:36	JSS	A
Carbon Disulfide	0.20 U	ppbv		0.20	0.013	TO-15		10/1/10 02:36	JSS	A
Carbon Tetrachloride	0.20 U	ppbv		0.20	0.014	TO-15		10/1/10 02:36	JSS	A
Chlorobenzene	0.20 U	ppbv		0.20	0.016	TO-15		10/1/10 02:36	JSS	A
Chlorodibromomethane	0.20 U	ppbv		0.20	0.0080	TO-15		10/1/10 02:36	JSS	A
Chloroethane	0.20 U	ppbv		0.20	0.018	TO-15		10/1/10 02:36	JSS	A
Chloroform	0.42	ppbv		0.20	0.0080	TO-15		10/1/10 02:36	JSS	A
Chloromethane	0.20 U	ppbv		0.20	0.018	TO-15		10/1/10 02:36	JSS	A
3-Chloro-1-propene	0.20 U	ppbv		0.20	0.014	TO-15		10/1/10 02:36	JSS	A
o-Chlorotoluene	0.20 U	ppbv		0.20	0.017	TO-15		10/1/10 02:36	JSS	A
Cyclohexane	0.22	ppbv		0.20	0.011	TO-15		10/1/10 02:36	JSS	A
1,2-Dibromoethane	0.20 U	ppbv		0.20	0.010	TO-15		10/1/10 02:36	JSS	A
1,2-Dichlorobenzene	0.20 U	ppbv		0.20	0.0090	TO-15		10/1/10 02:36	JSS	A
1,3-Dichlorobenzene	0.20 U	ppbv		0.20	0.015	TO-15		10/1/10 02:36	JSS	A
1,4-Dichlorobenzene	0.20 U	ppbv		0.20	0.013	TO-15		10/1/10 02:36	JSS	A
Dichlorodifluoromethane	0.41	ppbv	7	0.20	0.011	TO-15		10/1/10 02:36	JSS	A
1,1-Dichloroethane	0.20 U	ppbv		0.20	0.014	TO-15		10/1/10 02:36	JSS	A
1,2-Dichloroethane	0.20 U	ppbv		0.20	0.016	TO-15		10/1/10 02:36	JSS	A
1,1-Dichloroethene	0.20 U	ppbv		0.20	0.017	TO-15		10/1/10 02:36	JSS	A
cis-1,2-Dichloroethene	0.49	ppbv		0.20	0.036	TO-15		10/1/10 02:36	JSS	A
trans-1,2-Dichloroethene	0.20 U	ppbv		0.20	0.010	TO-15		10/1/10 02:36	JSS	A
1,2-Dichloropropane	0.20 U	ppbv		0.20	0.016	TO-15		10/1/10 02:36	JSS	A
cis-1,3-Dichloropropene	0.20 U	ppbv		0.20	0.013	TO-15		10/1/10 02:36	JSS	A
trans-1,3-Dichloropropene	0.20 U	ppbv		0.20	0.013	TO-15		10/1/10 02:36	JSS	A
1,3-Dichloropropene, Total	0.20 U	ppbv		0.20	0.10	TO-15		10/1/10 02:36	JSS	A
Diisopropyl ether	1.2	ppbv	8	0.20	0.14	TO-15		10/1/10 02:36	JSS	A
1,4-Dioxane	0.20 U	ppbv		0.20	0.021	TO-15		10/1/10 02:36	JSS	A
Ethanol	9.9	ppbv	9	0.20	0.083	TO-15		10/1/10 02:36	JSS	A
Ethyl Acetate	1.3	ppbv		0.20	0.14	TO-15		10/1/10 02:36	JSS	A
Ethyl tert-butyl ether	0.20 U	ppbv		0.20	0.014	TO-15		10/1/10 02:36	JSS	A
Ethylbenzene	0.51	ppbv		0.20	0.0090	TO-15		10/1/10 02:36	JSS	A
4-Ethyltoluene	0.41	ppbv		0.20	0.012	TO-15		10/1/10 02:36	JSS	A
Freon 113	0.20 U	ppbv		0.20	0.014	TO-15		10/1/10 02:36	JSS	A
Freon-114	0.20 U	ppbv		0.20	0.019	TO-15		10/1/10 02:36	JSS	A
Heptane	0.24	ppbv		0.20	0.021	TO-15		10/1/10 02:36	JSS	A



ANALYTICAL RESULTS

Workorder: 9866056 EBE003|BETHPAGE-NY

Lab ID: **9866056007**
Sample ID: **SVE 104I-91610**

Date Collected: 9/16/2010 14:30
Date Received: 9/17/2010 09:20

Matrix: Air

Parameters	Results	Units	Footnotes	RDL	MDL	Method	Prepared	By	Analyzed	By	Cntr
Hexachlorobutadiene	0.20 U	ppbv		0.20	0.019	TO-15			10/1/10 02:36	JSS	A
Hexane	2.8	ppbv		0.20	0.014	TO-15			10/1/10 02:36	JSS	A
2-Hexanone	0.20 U	ppbv		0.20	0.012	TO-15			10/1/10 02:36	JSS	A
Isopropyl Alcohol	2.5	ppbv	11	0.20	0.018	TO-15			10/1/10 02:36	JSS	A
Isopropylbenzene	0.20 U	ppbv		0.20	0.012	TO-15			10/1/10 02:36	JSS	A
p-Isopropyltoluene	0.20 U	ppbv		0.20	0.014	TO-15			10/1/10 02:36	JSS	A
Methyl methacrylate	0.20 U	ppbv		0.20	0.015	TO-15			10/1/10 02:36	JSS	A
Methyl t-Butyl Ether	0.38	ppbv		0.20	0.012	TO-15			10/1/10 02:36	JSS	A
4-Methyl-2-Pentanone(MIBK)	0.20 U	ppbv		0.20	0.018	TO-15			10/1/10 02:36	JSS	A
Methylene Chloride	15	ppbv		0.20	0.013	TO-15			10/1/10 02:36	JSS	A
Naphthalene	0.20 U	ppbv	13	0.20	0.027	TO-15			10/1/10 02:36	JSS	A
iso-Octane	0.20	ppbv		0.20	0.011	TO-15			10/1/10 02:36	JSS	A
n-Propylbenzene	0.24	ppbv		0.20	0.014	TO-15			10/1/10 02:36	JSS	A
Propylene	0.20 U	ppbv	14	0.20	0.019	TO-15			10/1/10 02:36	JSS	A
Styrene	0.20 U	ppbv		0.20	0.015	TO-15			10/1/10 02:36	JSS	A
1,1,2,2-Tetrachloroethane	0.20 U	ppbv		0.20	0.015	TO-15			10/1/10 02:36	JSS	A
Tetrachloroethene	14	ppbv		0.20	0.011	TO-15			10/1/10 02:36	JSS	A
Tetrahydrofuran	1.5	ppbv		0.20	0.011	TO-15			10/1/10 02:36	JSS	A
Toluene	1.8	ppbv		0.20	0.0090	TO-15			10/1/10 02:36	JSS	A
Total Xylenes	2.8	ppbv		0.20	0.10	TO-15			10/1/10 02:36	JSS	A
1,2,4-Trichlorobenzene	0.20 U	ppbv		0.20	0.019	TO-15			10/1/10 02:36	JSS	A
1,1,1-Trichloroethane	0.70	ppbv		0.20	0.014	TO-15			10/1/10 02:36	JSS	A
1,1,2-Trichloroethane	0.20 U	ppbv		0.20	0.016	TO-15			10/1/10 02:36	JSS	A
Trichloroethene	13	ppbv		0.20	0.011	TO-15			10/1/10 02:36	JSS	A
Trichlorofluoromethane	0.29	ppbv		0.20	0.013	TO-15			10/1/10 02:36	JSS	A
1,2,3-Trichloropropane	0.20 U	ppbv		0.20	0.017	TO-15			10/1/10 02:36	JSS	A
1,2,4-Trimethylbenzene	2.5	ppbv		0.20	0.013	TO-15			10/1/10 02:36	JSS	A
1,3,5-Trimethylbenzene	0.60	ppbv		0.20	0.014	TO-15			10/1/10 02:36	JSS	A
1,2,3-Trimethylbenzene	0.75	ppbv		0.20	0.010	TO-15			10/1/10 02:36	JSS	A
Vinyl Acetate	0.70	ppbv		0.20	0.016	TO-15			10/1/10 02:36	JSS	A
Vinyl Bromide	0.20 U	ppbv		0.20	0.016	TO-15			10/1/10 02:36	JSS	A
Vinyl Chloride	0.20 U	ppbv		0.20	0.016	TO-15			10/1/10 02:36	JSS	A
o-Xylene	0.90	ppbv		0.20	0.012	TO-15			10/1/10 02:36	JSS	A
mp-Xylene	1.9	ppbv		0.40	0.022	TO-15			10/1/10 02:36	JSS	A
Acetone	11	ug/m3		0.5	0.08	TO-15			10/1/10 02:36	JSS	A
Acrylonitrile	0.4 U	ug/m3		0.4	0.04	TO-15			10/1/10 02:36	JSS	A
tert-Amyl methyl ether	0.8 U	ug/m3		0.8	0.05	TO-15			10/1/10 02:36	JSS	A
Benzene	1	ug/m3		0.6	0.07	TO-15			10/1/10 02:36	JSS	A
Benzyl Chloride	1 U	ug/m3		1	0.08	TO-15			10/1/10 02:36	JSS	A
Bromodichloromethane	1 U	ug/m3		1	0.08	TO-15			10/1/10 02:36	JSS	A
Bromoform	2 U	ug/m3		2	0.1	TO-15			10/1/10 02:36	JSS	A
Bromomethane	0.8 U	ug/m3		0.8	0.08	TO-15			10/1/10 02:36	JSS	A
1,3-Butadiene	0.4 U	ug/m3		0.4	0.1	TO-15			10/1/10 02:36	JSS	A
n-Butane	2	ug/m3		0.5	0.07	TO-15			10/1/10 02:36	JSS	A
2-Butanone	3	ug/m3		0.6	0.05	TO-15			10/1/10 02:36	JSS	A
tert.- Butyl Alcohol	0.6 U	ug/m3		0.6	0.04	TO-15			10/1/10 02:36	JSS	A



ANALYTICAL RESULTS

Workorder: 9866056 EBE003|BETHPAGE-NY

Lab ID: **9866056007**
Sample ID: **SVE 104I-91610**

Date Collected: 9/16/2010 14:30
Date Received: 9/17/2010 09:20

Matrix: Air

Parameters	Results	Units	Footnotes	RDL	MDL	Method	Prepared By	Analyzed	By	Cntr
Carbon Disulfide	0.6 U	ug/m3		0.6	0.04	TO-15		10/1/10 02:36	JSS	A
Carbon Tetrachloride	1 U	ug/m3		1	0.09	TO-15		10/1/10 02:36	JSS	A
Chlorobenzene	0.9 U	ug/m3		0.9	0.07	TO-15		10/1/10 02:36	JSS	A
Chlorodibromomethane	2 U	ug/m3		2	0.07	TO-15		10/1/10 02:36	JSS	A
Chloroethane	0.5 U	ug/m3		0.5	0.05	TO-15		10/1/10 02:36	JSS	A
Chloroform	2	ug/m3		1	0.04	TO-15		10/1/10 02:36	JSS	A
Chloromethane	0.4 U	ug/m3		0.4	0.04	TO-15		10/1/10 02:36	JSS	A
3-Chloro-1-propene	0.6 U	ug/m3		0.6	0.04	TO-15		10/1/10 02:36	JSS	A
o-Chlorotoluene	1 U	ug/m3		1	0.09	TO-15		10/1/10 02:36	JSS	A
Cyclohexane	0.8	ug/m3		0.7	0.04	TO-15		10/1/10 02:36	JSS	A
1,2-Dibromoethane	2 U	ug/m3		2	0.08	TO-15		10/1/10 02:36	JSS	A
1,2-Dichlorobenzene	1 U	ug/m3		1	0.05	TO-15		10/1/10 02:36	JSS	A
1,3-Dichlorobenzene	1 U	ug/m3		1	0.09	TO-15		10/1/10 02:36	JSS	A
1,4-Dichlorobenzene	1 U	ug/m3		1	0.08	TO-15		10/1/10 02:36	JSS	A
Dichlorodifluoromethane	2	ug/m3		1	0.05	TO-15		10/1/10 02:36	JSS	A
1,1-Dichloroethane	0.8 U	ug/m3		0.8	0.06	TO-15		10/1/10 02:36	JSS	A
1,2-Dichloroethane	0.8 U	ug/m3		0.8	0.07	TO-15		10/1/10 02:36	JSS	A
1,1-Dichloroethene	0.8 U	ug/m3		0.8	0.07	TO-15		10/1/10 02:36	JSS	A
cis-1,2-Dichloroethene	2	ug/m3		0.8	0.1	TO-15		10/1/10 02:36	JSS	A
trans-1,2-Dichloroethene	0.8 U	ug/m3		0.8	0.04	TO-15		10/1/10 02:36	JSS	A
1,2-Dichloropropane	0.9 U	ug/m3		0.9	0.07	TO-15		10/1/10 02:36	JSS	A
cis-1,3-Dichloropropene	0.9 U	ug/m3		0.9	0.06	TO-15		10/1/10 02:36	JSS	A
trans-1,3-Dichloropropene	0.9 U	ug/m3		0.9	0.06	TO-15		10/1/10 02:36	JSS	A
1,3-Dichloropropene, Total	0.9 U	ug/m3		0.9	0.1	TO-15		10/1/10 02:36	JSS	A
Diisopropyl ether	5	ug/m3		0.8	0.6	TO-15		10/1/10 02:36	JSS	A
1,4-Dioxane	0.7 U	ug/m3		0.7	0.08	TO-15		10/1/10 02:36	JSS	A
Ethanol	19	ug/m3		0.4	0.2	TO-15		10/1/10 02:36	JSS	A
Ethyl Acetate	5	ug/m3		0.8	0.5	TO-15		10/1/10 02:36	JSS	A
Ethyl tert-butyl ether	0.8 U	ug/m3		0.8	0.06	TO-15		10/1/10 02:36	JSS	A
Ethylbenzene	2	ug/m3		0.9	0.04	TO-15		10/1/10 02:36	JSS	A
4-Ethyltoluene	2	ug/m3		1	0.06	TO-15		10/1/10 02:36	JSS	A
Freon 113	2 U	ug/m3		2	0.1	TO-15		10/1/10 02:36	JSS	A
Freon-114	1 U	ug/m3		1	0.1	TO-15		10/1/10 02:36	JSS	A
Heptane	1	ug/m3		0.8	0.09	TO-15		10/1/10 02:36	JSS	A
Hexachlorobutadiene	2 U	ug/m3		2	0.2	TO-15		10/1/10 02:36	JSS	A
Hexane	10	ug/m3		0.7	0.05	TO-15		10/1/10 02:36	JSS	A
2-Hexanone	0.8 U	ug/m3		0.8	0.05	TO-15		10/1/10 02:36	JSS	A
Isopropyl Alcohol	6	ug/m3		0.5	0.04	TO-15		10/1/10 02:36	JSS	A
Isopropylbenzene	1 U	ug/m3		1	0.06	TO-15		10/1/10 02:36	JSS	A
p-Isopropyltoluene	1 U	ug/m3		1	0.08	TO-15		10/1/10 02:36	JSS	A
Methyl Methacrylate	0.8 U	ug/m3		0.8	0.06	TO-15		10/1/10 02:36	JSS	A
Methyl t-Butyl Ether	1	ug/m3		0.7	0.04	TO-15		10/1/10 02:36	JSS	A
4-Methyl-2-Pentanone(MIBK)	0.8 U	ug/m3		0.8	0.07	TO-15		10/1/10 02:36	JSS	A
Methylene Chloride	51	ug/m3		0.7	0.05	TO-15		10/1/10 02:36	JSS	A
Naphthalene	1 U	ug/m3		1	0.1	TO-15		10/1/10 02:36	JSS	A
iso-Octane	1	ug/m3		0.9	0.05	TO-15		10/1/10 02:36	JSS	A



ANALYTICAL RESULTS

Workorder: 9866056 EBE003|BETHPAGE-NY

Lab ID: **9866056007**
Sample ID: **SVE 104I-91610**

Date Collected: 9/16/2010 14:30
Date Received: 9/17/2010 09:20

Matrix: Air

Parameters	Results	Units	Footnotes	RDL	MDL	Method	Prepared	By	Analyzed	By	Cntr
n-Propylbenzene	1	ug/m3		1	0.07	TO-15			10/1/10 02:36	JSS	A
Propylene	0.3 U	ug/m3		0.3	0.03	TO-15			10/1/10 02:36	JSS	A
Styrene	0.9 U	ug/m3		0.9	0.06	TO-15			10/1/10 02:36	JSS	A
1,1,2,2-Tetrachloroethane	1 U	ug/m3		1	0.07	TO-15			10/1/10 02:36	JSS	A
Tetrachloroethene	96	ug/m3		1	0.08	TO-15			10/1/10 02:36	JSS	A
Tetrahydrofuran	4	ug/m3		0.6	0.03	TO-15			10/1/10 02:36	JSS	A
Toluene	7	ug/m3		0.8	0.03	TO-15			10/1/10 02:36	JSS	A
Total Xylenes	12	ug/m3		0.9	0.1	TO-15			10/1/10 02:36	JSS	A
1,2,4-Trichlorobenzene	1 U	ug/m3		1	0.1	TO-15			10/1/10 02:36	JSS	A
1,1,1-Trichloroethane	4	ug/m3		1	0.08	TO-15			10/1/10 02:36	JSS	A
1,1,2-Trichloroethane	1 U	ug/m3		1	0.09	TO-15			10/1/10 02:36	JSS	A
Trichloroethene	72	ug/m3		1	0.06	TO-15			10/1/10 02:36	JSS	A
Trichlorofluoromethane	2	ug/m3		1	0.07	TO-15			10/1/10 02:36	JSS	A
1,2,3-Trichloropropane	1 U	ug/m3		1	0.1	TO-15			10/1/10 02:36	JSS	A
1,2,4-Trimethylbenzene	12	ug/m3		1	0.06	TO-15			10/1/10 02:36	JSS	A
1,3,5-Trimethylbenzene	3	ug/m3		1	0.07	TO-15			10/1/10 02:36	JSS	A
1,2,3-Trimethylbenzene	4	ug/m3		1	0.05	TO-15			10/1/10 02:36	JSS	A
Vinyl Acetate	2	ug/m3		0.7	0.06	TO-15			10/1/10 02:36	JSS	A
Vinyl Bromide	0.9 U	ug/m3		0.9	0.07	TO-15			10/1/10 02:36	JSS	A
Vinyl Chloride	0.5 U	ug/m3		0.5	0.04	TO-15			10/1/10 02:36	JSS	A
o-Xylene	4	ug/m3		0.9	0.05	TO-15			10/1/10 02:36	JSS	A
mp-Xylenes	8	ug/m3		2	0.1	TO-15			10/1/10 02:36	JSS	A
<i>Surrogate Recoveries</i>	<i>Results</i>	<i>Units</i>	<i>Footnotes</i>	<i>Limits</i>		<i>Method</i>	<i>Prepared</i>	<i>By</i>	<i>Analyzed</i>	<i>By</i>	<i>Cntr</i>
4-Bromofluorobenzene (S)	110	%		70-130		TO-15			10/1/10 02:36	JSS	A

Sample Comments:


Anna G Milliken
Laboratory Manager



ANALYTICAL RESULTS

Workorder: 9866056 EBE003|BETHPAGE-NY

Lab ID: **9866056008**
Sample ID: **SVE 104D-91610**

Date Collected: 9/16/2010 14:30
Date Received: 9/17/2010 09:20

Matrix: Air

Parameters	Results	Units	Footnotes	RDL	MDL	Method	Prepared By	Analyzed	By	Cntr
VOLATILE ORGANICS @ STP										
Acetone	4.2	ppbv	6	0.40	0.068	TO-15		9/30/10 16:56	JSS	A
Acrylonitrile	0.40 U	ppbv		0.40	0.032	TO-15		9/30/10 16:56	JSS	A
tert-Amyl methyl ether	0.40 U	ppbv		0.40	0.024	TO-15		9/30/10 16:56	JSS	A
Benzene	0.40 U	ppbv		0.40	0.042	TO-15		9/30/10 16:56	JSS	A
Benzyl Chloride	0.40 U	ppbv		0.40	0.030	TO-15		9/30/10 16:56	JSS	A
Bromodichloromethane	0.40 U	ppbv		0.40	0.024	TO-15		9/30/10 16:56	JSS	A
Bromoform	0.40 U	ppbv		0.40	0.020	TO-15		9/30/10 16:56	JSS	A
Bromomethane	0.40 U	ppbv		0.40	0.042	TO-15		9/30/10 16:56	JSS	A
1,3-Butadiene	0.40 U	ppbv		0.40	0.11	TO-15		9/30/10 16:56	JSS	A
n-Butane	0.40 U	ppbv		0.40	0.060	TO-15		9/30/10 16:56	JSS	A
2-Butanone	0.40 U	ppbv		0.40	0.034	TO-15		9/30/10 16:56	JSS	A
tert.- Butyl Alcohol	0.40 U	ppbv		0.40	0.028	TO-15		9/30/10 16:56	JSS	A
Carbon Disulfide	0.40 U	ppbv		0.40	0.026	TO-15		9/30/10 16:56	JSS	A
Carbon Tetrachloride	0.40 U	ppbv		0.40	0.028	TO-15		9/30/10 16:56	JSS	A
Chlorobenzene	0.40 U	ppbv		0.40	0.032	TO-15		9/30/10 16:56	JSS	A
Chlorodibromomethane	0.40 U	ppbv		0.40	0.016	TO-15		9/30/10 16:56	JSS	A
Chloroethane	0.40 U	ppbv		0.40	0.036	TO-15		9/30/10 16:56	JSS	A
Chloroform	0.40 U	ppbv		0.40	0.016	TO-15		9/30/10 16:56	JSS	A
Chloromethane	0.42	ppbv		0.40	0.036	TO-15		9/30/10 16:56	JSS	A
3-Chloro-1-propene	0.40 U	ppbv		0.40	0.028	TO-15		9/30/10 16:56	JSS	A
o-Chlorotoluene	0.40 U	ppbv		0.40	0.034	TO-15		9/30/10 16:56	JSS	A
Cyclohexane	0.40 U	ppbv		0.40	0.022	TO-15		9/30/10 16:56	JSS	A
1,2-Dibromoethane	0.40 U	ppbv		0.40	0.020	TO-15		9/30/10 16:56	JSS	A
1,2-Dichlorobenzene	0.40 U	ppbv		0.40	0.018	TO-15		9/30/10 16:56	JSS	A
1,3-Dichlorobenzene	0.40 U	ppbv		0.40	0.030	TO-15		9/30/10 16:56	JSS	A
1,4-Dichlorobenzene	0.40 U	ppbv		0.40	0.026	TO-15		9/30/10 16:56	JSS	A
Dichlorodifluoromethane	0.42	ppbv	7	0.40	0.022	TO-15		9/30/10 16:56	JSS	A
1,1-Dichloroethane	0.40 U	ppbv		0.40	0.028	TO-15		9/30/10 16:56	JSS	A
1,2-Dichloroethane	0.40 U	ppbv		0.40	0.032	TO-15		9/30/10 16:56	JSS	A
1,1-Dichloroethene	0.40 U	ppbv		0.40	0.034	TO-15		9/30/10 16:56	JSS	A
cis-1,2-Dichloroethene	0.40 U	ppbv		0.40	0.072	TO-15		9/30/10 16:56	JSS	A
trans-1,2-Dichloroethene	0.40 U	ppbv		0.40	0.020	TO-15		9/30/10 16:56	JSS	A
1,2-Dichloropropane	0.40 U	ppbv		0.40	0.032	TO-15		9/30/10 16:56	JSS	A
cis-1,3-Dichloropropene	0.40 U	ppbv		0.40	0.026	TO-15		9/30/10 16:56	JSS	A
trans-1,3-Dichloropropene	0.40 U	ppbv		0.40	0.026	TO-15		9/30/10 16:56	JSS	A
1,3-Dichloropropene, Total	0.40 U	ppbv		0.40	0.20	TO-15		9/30/10 16:56	JSS	A
Diisopropyl ether	0.40 U	ppbv	8	0.40	0.28	TO-15		9/30/10 16:56	JSS	A
1,4-Dioxane	0.40 U	ppbv		0.40	0.042	TO-15		9/30/10 16:56	JSS	A
Ethanol	2.3	ppbv	9	0.40	0.17	TO-15		9/30/10 16:56	JSS	A
Ethyl Acetate	0.40 U	ppbv		0.40	0.28	TO-15		9/30/10 16:56	JSS	A
Ethyl tert-butyl ether	0.40 U	ppbv		0.40	0.028	TO-15		9/30/10 16:56	JSS	A
Ethylbenzene	0.40 U	ppbv		0.40	0.018	TO-15		9/30/10 16:56	JSS	A
4-Ethyltoluene	0.40 U	ppbv		0.40	0.024	TO-15		9/30/10 16:56	JSS	A
Freon 113	0.40 U	ppbv		0.40	0.028	TO-15		9/30/10 16:56	JSS	A
Freon-114	0.40 U	ppbv		0.40	0.038	TO-15		9/30/10 16:56	JSS	A
Heptane	0.40 U	ppbv		0.40	0.042	TO-15		9/30/10 16:56	JSS	A



ANALYTICAL RESULTS

Workorder: 9866056 EBE003|BETHPAGE-NY

Lab ID: **9866056008**
Sample ID: **SVE 104D-91610**

Date Collected: 9/16/2010 14:30
Date Received: 9/17/2010 09:20

Matrix: Air

Parameters	Results	Units	Footnotes	RDL	MDL	Method	Prepared By	Analyzed	By	Cntr
Hexachlorobutadiene	0.40 U	ppbv		0.40	0.038	TO-15		9/30/10 16:56	JSS	A
Hexane	0.52	ppbv		0.40	0.028	TO-15		9/30/10 16:56	JSS	A
2-Hexanone	0.40 U	ppbv		0.40	0.024	TO-15		9/30/10 16:56	JSS	A
Isopropyl Alcohol	0.44	ppbv	11	0.40	0.036	TO-15		9/30/10 16:56	JSS	A
Isopropylbenzene	0.40 U	ppbv		0.40	0.024	TO-15		9/30/10 16:56	JSS	A
p-Isopropyltoluene	0.40 U	ppbv		0.40	0.028	TO-15		9/30/10 16:56	JSS	A
Methyl methacrylate	0.40 U	ppbv		0.40	0.030	TO-15		9/30/10 16:56	JSS	A
Methyl t-Butyl Ether	0.40 U	ppbv		0.40	0.024	TO-15		9/30/10 16:56	JSS	A
4-Methyl-2-Pentanone(MIBK)	0.40 U	ppbv		0.40	0.036	TO-15		9/30/10 16:56	JSS	A
Methylene Chloride	1.8	ppbv		0.40	0.026	TO-15		9/30/10 16:56	JSS	A
Naphthalene	0.40 U	ppbv	13	0.40	0.054	TO-15		9/30/10 16:56	JSS	A
iso-Octane	0.40 U	ppbv		0.40	0.022	TO-15		9/30/10 16:56	JSS	A
n-Propylbenzene	0.40 U	ppbv		0.40	0.028	TO-15		9/30/10 16:56	JSS	A
Propylene	0.40 U	ppbv	14	0.40	0.038	TO-15		9/30/10 16:56	JSS	A
Styrene	0.40 U	ppbv		0.40	0.030	TO-15		9/30/10 16:56	JSS	A
1,1,2,2-Tetrachloroethane	0.40 U	ppbv		0.40	0.030	TO-15		9/30/10 16:56	JSS	A
Tetrachloroethene	0.40 U	ppbv		0.40	0.022	TO-15		9/30/10 16:56	JSS	A
Tetrahydrofuran	0.40 U	ppbv		0.40	0.022	TO-15		9/30/10 16:56	JSS	A
Toluene	0.40 U	ppbv		0.40	0.018	TO-15		9/30/10 16:56	JSS	A
Total Xylenes	0.40 U	ppbv		0.40	0.20	TO-15		9/30/10 16:56	JSS	A
1,2,4-Trichlorobenzene	0.40 U	ppbv		0.40	0.038	TO-15		9/30/10 16:56	JSS	A
1,1,1-Trichloroethane	0.40 U	ppbv		0.40	0.028	TO-15		9/30/10 16:56	JSS	A
1,1,2-Trichloroethane	0.40 U	ppbv		0.40	0.032	TO-15		9/30/10 16:56	JSS	A
Trichloroethene	0.40 U	ppbv		0.40	0.022	TO-15		9/30/10 16:56	JSS	A
Trichlorofluoromethane	0.40 U	ppbv		0.40	0.026	TO-15		9/30/10 16:56	JSS	A
1,2,3-Trichloropropane	0.40 U	ppbv		0.40	0.034	TO-15		9/30/10 16:56	JSS	A
1,2,4-Trimethylbenzene	0.67	ppbv		0.40	0.026	TO-15		9/30/10 16:56	JSS	A
1,3,5-Trimethylbenzene	0.40 U	ppbv		0.40	0.028	TO-15		9/30/10 16:56	JSS	A
1,2,3-Trimethylbenzene	0.40 U	ppbv		0.40	0.020	TO-15		9/30/10 16:56	JSS	A
Vinyl Acetate	0.40 U	ppbv		0.40	0.032	TO-15		9/30/10 16:56	JSS	A
Vinyl Bromide	0.40 U	ppbv		0.40	0.032	TO-15		9/30/10 16:56	JSS	A
Vinyl Chloride	0.40 U	ppbv		0.40	0.032	TO-15		9/30/10 16:56	JSS	A
o-Xylene	0.40 U	ppbv		0.40	0.024	TO-15		9/30/10 16:56	JSS	A
mp-Xylene	0.80 U	ppbv		0.80	0.044	TO-15		9/30/10 16:56	JSS	A
Acetone	10	ug/m3		1	0.2	TO-15		9/30/10 16:56	JSS	A
Acrylonitrile	0.9 U	ug/m3		0.9	0.07	TO-15		9/30/10 16:56	JSS	A
tert-Amyl methyl ether	2 U	ug/m3		2	0.1	TO-15		9/30/10 16:56	JSS	A
Benzene	1 U	ug/m3		1	0.1	TO-15		9/30/10 16:56	JSS	A
Benzyl Chloride	2 U	ug/m3		2	0.2	TO-15		9/30/10 16:56	JSS	A
Bromodichloromethane	3 U	ug/m3		3	0.2	TO-15		9/30/10 16:56	JSS	A
Bromoform	4 U	ug/m3		4	0.2	TO-15		9/30/10 16:56	JSS	A
Bromomethane	2 U	ug/m3		2	0.2	TO-15		9/30/10 16:56	JSS	A
1,3-Butadiene	0.9 U	ug/m3		0.9	0.2	TO-15		9/30/10 16:56	JSS	A
n-Butane	1 U	ug/m3		1	0.1	TO-15		9/30/10 16:56	JSS	A
2-Butanone	1 U	ug/m3		1	0.1	TO-15		9/30/10 16:56	JSS	A
tert.- Butyl Alcohol	1 U	ug/m3		1	0.08	TO-15		9/30/10 16:56	JSS	A



ANALYTICAL RESULTS

Workorder: 9866056 EBE003|BETHPAGE-NY

Lab ID: **9866056008**
Sample ID: **SVE 104D-91610**

Date Collected: 9/16/2010 14:30
Date Received: 9/17/2010 09:20

Matrix: Air

Parameters	Results	Units	Footnotes	RDL	MDL	Method	Prepared	By	Analyzed	By	Cntr
Carbon Disulfide	1 U	ug/m3		1	0.08	TO-15			9/30/10 16:56	JSS	A
Carbon Tetrachloride	3 U	ug/m3		3	0.2	TO-15			9/30/10 16:56	JSS	A
Chlorobenzene	2 U	ug/m3		2	0.1	TO-15			9/30/10 16:56	JSS	A
Chlorodibromomethane	3 U	ug/m3		3	0.1	TO-15			9/30/10 16:56	JSS	A
Chloroethane	1 U	ug/m3		1	0.09	TO-15			9/30/10 16:56	JSS	A
Chloroform	2 U	ug/m3		2	0.08	TO-15			9/30/10 16:56	JSS	A
Chloromethane	0.9	ug/m3		0.8	0.07	TO-15			9/30/10 16:56	JSS	A
3-Chloro-1-propene	1 U	ug/m3		1	0.09	TO-15			9/30/10 16:56	JSS	A
o-Chlorotoluene	2 U	ug/m3		2	0.2	TO-15			9/30/10 16:56	JSS	A
Cyclohexane	1 U	ug/m3		1	0.08	TO-15			9/30/10 16:56	JSS	A
1,2-Dibromoethane	3 U	ug/m3		3	0.2	TO-15			9/30/10 16:56	JSS	A
1,2-Dichlorobenzene	2 U	ug/m3		2	0.1	TO-15			9/30/10 16:56	JSS	A
1,3-Dichlorobenzene	2 U	ug/m3		2	0.2	TO-15			9/30/10 16:56	JSS	A
1,4-Dichlorobenzene	2 U	ug/m3		2	0.2	TO-15			9/30/10 16:56	JSS	A
Dichlorodifluoromethane	2	ug/m3		2	0.1	TO-15			9/30/10 16:56	JSS	A
1,1-Dichloroethane	2 U	ug/m3		2	0.1	TO-15			9/30/10 16:56	JSS	A
1,2-Dichloroethane	2 U	ug/m3		2	0.1	TO-15			9/30/10 16:56	JSS	A
1,1-Dichloroethene	2 U	ug/m3		2	0.1	TO-15			9/30/10 16:56	JSS	A
cis-1,2-Dichloroethene	2 U	ug/m3		2	0.3	TO-15			9/30/10 16:56	JSS	A
trans-1,2-Dichloroethene	2 U	ug/m3		2	0.08	TO-15			9/30/10 16:56	JSS	A
1,2-Dichloropropane	2 U	ug/m3		2	0.1	TO-15			9/30/10 16:56	JSS	A
cis-1,3-Dichloropropene	2 U	ug/m3		2	0.1	TO-15			9/30/10 16:56	JSS	A
trans-1,3-Dichloropropene	2 U	ug/m3		2	0.1	TO-15			9/30/10 16:56	JSS	A
1,3-Dichloropropene, Total	2 U	ug/m3		2	0.2	TO-15			9/30/10 16:56	JSS	A
Diisopropyl ether	2 U	ug/m3		2	1	TO-15			9/30/10 16:56	JSS	A
1,4-Dioxane	1 U	ug/m3		1	0.2	TO-15			9/30/10 16:56	JSS	A
Ethanol	4	ug/m3		0.8	0.3	TO-15			9/30/10 16:56	JSS	A
Ethyl Acetate	2 U	ug/m3		2	1	TO-15			9/30/10 16:56	JSS	A
Ethyl tert-butyl ether	2 U	ug/m3		2	0.1	TO-15			9/30/10 16:56	JSS	A
Ethylbenzene	2 U	ug/m3		2	0.08	TO-15			9/30/10 16:56	JSS	A
4-Ethyltoluene	2 U	ug/m3		2	0.1	TO-15			9/30/10 16:56	JSS	A
Freon 113	3 U	ug/m3		3	0.2	TO-15			9/30/10 16:56	JSS	A
Freon-114	3 U	ug/m3		3	0.3	TO-15			9/30/10 16:56	JSS	A
Heptane	2 U	ug/m3		2	0.2	TO-15			9/30/10 16:56	JSS	A
Hexachlorobutadiene	4 U	ug/m3		4	0.4	TO-15			9/30/10 16:56	JSS	A
Hexane	2	ug/m3		1	0.1	TO-15			9/30/10 16:56	JSS	A
2-Hexanone	2 U	ug/m3		2	0.1	TO-15			9/30/10 16:56	JSS	A
Isopropyl Alcohol	1	ug/m3		1	0.09	TO-15			9/30/10 16:56	JSS	A
Isopropylbenzene	2 U	ug/m3		2	0.1	TO-15			9/30/10 16:56	JSS	A
p-Isopropyltoluene	2 U	ug/m3		2	0.2	TO-15			9/30/10 16:56	JSS	A
Methyl Methacrylate	2 U	ug/m3		2	0.1	TO-15			9/30/10 16:56	JSS	A
Methyl t-Butyl Ether	1 U	ug/m3		1	0.09	TO-15			9/30/10 16:56	JSS	A
4-Methyl-2-Pentanone(MIBK)	2 U	ug/m3		2	0.1	TO-15			9/30/10 16:56	JSS	A
Methylene Chloride	6	ug/m3		1	0.09	TO-15			9/30/10 16:56	JSS	A
Naphthalene	2 U	ug/m3		2	0.3	TO-15			9/30/10 16:56	JSS	A
iso-Octane	2 U	ug/m3		2	0.1	TO-15			9/30/10 16:56	JSS	A



ANALYTICAL RESULTS

Workorder: 9866056 EBE003|BETHPAGE-NY

Lab ID: **9866056008**
Sample ID: **SVE 104D-91610**

Date Collected: 9/16/2010 14:30
Date Received: 9/17/2010 09:20

Matrix: Air

Parameters	Results	Units	Footnotes	RDL	MDL	Method	Prepared	By	Analyzed	By	Cntr
n-Propylbenzene	2 U	ug/m3		2	0.1	TO-15			9/30/10 16:56	JSS	A
Propylene	0.7 U	ug/m3		0.7	0.07	TO-15			9/30/10 16:56	JSS	A
Styrene	2 U	ug/m3		2	0.1	TO-15			9/30/10 16:56	JSS	A
1,1,2,2-Tetrachloroethane	3 U	ug/m3		3	0.1	TO-15			9/30/10 16:56	JSS	A
Tetrachloroethene	3 U	ug/m3		3	0.2	TO-15			9/30/10 16:56	JSS	A
Tetrahydrofuran	1 U	ug/m3		1	0.06	TO-15			9/30/10 16:56	JSS	A
Toluene	2 U	ug/m3		2	0.07	TO-15			9/30/10 16:56	JSS	A
Total Xylenes	2 U	ug/m3		2	0.2	TO-15			9/30/10 16:56	JSS	A
1,2,4-Trichlorobenzene	3 U	ug/m3		3	0.3	TO-15			9/30/10 16:56	JSS	A
1,1,1-Trichloroethane	2 U	ug/m3		2	0.2	TO-15			9/30/10 16:56	JSS	A
1,1,2-Trichloroethane	2 U	ug/m3		2	0.2	TO-15			9/30/10 16:56	JSS	A
Trichloroethene	2 U	ug/m3		2	0.1	TO-15			9/30/10 16:56	JSS	A
Trichlorofluoromethane	2 U	ug/m3		2	0.1	TO-15			9/30/10 16:56	JSS	A
1,2,3-Trichloropropane	2 U	ug/m3		2	0.2	TO-15			9/30/10 16:56	JSS	A
1,2,4-Trimethylbenzene	3	ug/m3		2	0.1	TO-15			9/30/10 16:56	JSS	A
1,3,5-Trimethylbenzene	2 U	ug/m3		2	0.1	TO-15			9/30/10 16:56	JSS	A
1,2,3-Trimethylbenzene	2 U	ug/m3		2	0.1	TO-15			9/30/10 16:56	JSS	A
Vinyl Acetate	1 U	ug/m3		1	0.1	TO-15			9/30/10 16:56	JSS	A
Vinyl Bromide	2 U	ug/m3		2	0.1	TO-15			9/30/10 16:56	JSS	A
Vinyl Chloride	1 U	ug/m3		1	0.08	TO-15			9/30/10 16:56	JSS	A
o-Xylene	2 U	ug/m3		2	0.1	TO-15			9/30/10 16:56	JSS	A
mp-Xylenes	3 U	ug/m3		3	0.2	TO-15			9/30/10 16:56	JSS	A
<i>Surrogate Recoveries</i>	<i>Results</i>	<i>Units</i>	<i>Footnotes</i>	<i>Limits</i>		<i>Method</i>	<i>Prepared</i>	<i>By</i>	<i>Analyzed</i>	<i>By</i>	<i>Cntr</i>
4-Bromofluorobenzene (S)	105	%		70-130		TO-15			9/30/10 16:56	JSS	A

Sample Comments:

This sample was run at a 2x dilution due to insufficient sample volume. JSS 10/1/10.


Anna G Milliken
Laboratory Manager



ANALYTICAL RESULTS

Workorder: 9866056 EBE003|BETHPAGE-NY

Lab ID: **9866056009**
Sample ID: **SVE 105I-91610**

Date Collected: 9/16/2010 14:30
Date Received: 9/17/2010 09:20

Matrix: Air

Parameters	Results	Units	Footnotes	RDL	MDL	Method	Prepared By	Analyzed	By	Cntr
VOLATILE ORGANICS @ STP										
Acetone	4.4	ppbv	6	0.20	0.034	TO-15		10/1/10 08:22	JSS	A
Acrylonitrile	0.20 U	ppbv		0.20	0.016	TO-15		10/1/10 08:22	JSS	A
tert-Amyl methyl ether	0.20 U	ppbv		0.20	0.012	TO-15		10/1/10 08:22	JSS	A
Benzene	0.20 U	ppbv		0.20	0.021	TO-15		10/1/10 08:22	JSS	A
Benzyl Chloride	0.20 U	ppbv		0.20	0.015	TO-15		10/1/10 08:22	JSS	A
Bromodichloromethane	0.20 U	ppbv		0.20	0.012	TO-15		10/1/10 08:22	JSS	A
Bromoform	0.20 U	ppbv		0.20	0.010	TO-15		10/1/10 08:22	JSS	A
Bromomethane	0.20 U	ppbv		0.20	0.021	TO-15		10/1/10 08:22	JSS	A
1,3-Butadiene	0.20 U	ppbv		0.20	0.053	TO-15		10/1/10 08:22	JSS	A
n-Butane	0.22	ppbv		0.20	0.030	TO-15		10/1/10 08:22	JSS	A
2-Butanone	1.3	ppbv		0.20	0.017	TO-15		10/1/10 08:22	JSS	A
tert.- Butyl Alcohol	0.38	ppbv		0.20	0.014	TO-15		10/1/10 08:22	JSS	A
Carbon Disulfide	0.20 U	ppbv		0.20	0.013	TO-15		10/1/10 08:22	JSS	A
Carbon Tetrachloride	0.20 U	ppbv		0.20	0.014	TO-15		10/1/10 08:22	JSS	A
Chlorobenzene	0.20 U	ppbv		0.20	0.016	TO-15		10/1/10 08:22	JSS	A
Chlorodibromomethane	0.20 U	ppbv		0.20	0.0080	TO-15		10/1/10 08:22	JSS	A
Chloroethane	0.20 U	ppbv		0.20	0.018	TO-15		10/1/10 08:22	JSS	A
Chloroform	0.20 U	ppbv		0.20	0.0080	TO-15		10/1/10 08:22	JSS	A
Chloromethane	0.44	ppbv		0.20	0.018	TO-15		10/1/10 08:22	JSS	A
3-Chloro-1-propene	0.20 U	ppbv		0.20	0.014	TO-15		10/1/10 08:22	JSS	A
o-Chlorotoluene	0.20 U	ppbv		0.20	0.017	TO-15		10/1/10 08:22	JSS	A
Cyclohexane	0.20 U	ppbv		0.20	0.011	TO-15		10/1/10 08:22	JSS	A
1,2-Dibromoethane	0.20 U	ppbv		0.20	0.010	TO-15		10/1/10 08:22	JSS	A
1,2-Dichlorobenzene	0.20 U	ppbv		0.20	0.0090	TO-15		10/1/10 08:22	JSS	A
1,3-Dichlorobenzene	0.20 U	ppbv		0.20	0.015	TO-15		10/1/10 08:22	JSS	A
1,4-Dichlorobenzene	0.20 U	ppbv		0.20	0.013	TO-15		10/1/10 08:22	JSS	A
Dichlorodifluoromethane	0.46	ppbv	7	0.20	0.011	TO-15		10/1/10 08:22	JSS	A
1,1-Dichloroethane	0.20 U	ppbv		0.20	0.014	TO-15		10/1/10 08:22	JSS	A
1,2-Dichloroethane	0.20 U	ppbv		0.20	0.016	TO-15		10/1/10 08:22	JSS	A
1,1-Dichloroethene	0.20 U	ppbv		0.20	0.017	TO-15		10/1/10 08:22	JSS	A
cis-1,2-Dichloroethene	0.20 U	ppbv		0.20	0.036	TO-15		10/1/10 08:22	JSS	A
trans-1,2-Dichloroethene	0.20 U	ppbv		0.20	0.010	TO-15		10/1/10 08:22	JSS	A
1,2-Dichloropropane	0.20 U	ppbv		0.20	0.016	TO-15		10/1/10 08:22	JSS	A
cis-1,3-Dichloropropene	0.20 U	ppbv		0.20	0.013	TO-15		10/1/10 08:22	JSS	A
trans-1,3-Dichloropropene	0.20 U	ppbv		0.20	0.013	TO-15		10/1/10 08:22	JSS	A
1,3-Dichloropropene, Total	0.20 U	ppbv		0.20	0.10	TO-15		10/1/10 08:22	JSS	A
Diisopropyl ether	0.20 U	ppbv	8	0.20	0.14	TO-15		10/1/10 08:22	JSS	A
1,4-Dioxane	0.20 U	ppbv		0.20	0.021	TO-15		10/1/10 08:22	JSS	A
Ethanol	2.7	ppbv	9	0.20	0.083	TO-15		10/1/10 08:22	JSS	A
Ethyl Acetate	0.20 U	ppbv		0.20	0.14	TO-15		10/1/10 08:22	JSS	A
Ethyl tert-butyl ether	0.20 U	ppbv		0.20	0.014	TO-15		10/1/10 08:22	JSS	A
Ethylbenzene	1.0	ppbv		0.20	0.0090	TO-15		10/1/10 08:22	JSS	A
4-Ethyltoluene	1.3	ppbv		0.20	0.012	TO-15		10/1/10 08:22	JSS	A
Freon 113	0.20 U	ppbv		0.20	0.014	TO-15		10/1/10 08:22	JSS	A
Freon-114	0.20 U	ppbv		0.20	0.019	TO-15		10/1/10 08:22	JSS	A
Heptane	0.20 U	ppbv		0.20	0.021	TO-15		10/1/10 08:22	JSS	A



ANALYTICAL RESULTS

Workorder: 9866056 EBE003|BETHPAGE-NY

Lab ID: **9866056009**
Sample ID: **SVE 105I-91610**

Date Collected: 9/16/2010 14:30
Date Received: 9/17/2010 09:20

Matrix: Air

Parameters	Results	Units	Footnotes	RDL	MDL	Method	Prepared	By	Analyzed	By	Cntr
Hexachlorobutadiene	0.20 U	ppbv		0.20	0.019	TO-15			10/1/10 08:22	JSS	A
Hexane	0.49	ppbv		0.20	0.014	TO-15			10/1/10 08:22	JSS	A
2-Hexanone	0.20 U	ppbv		0.20	0.012	TO-15			10/1/10 08:22	JSS	A
Isopropyl Alcohol	0.30	ppbv	11	0.20	0.018	TO-15			10/1/10 08:22	JSS	A
Isopropylbenzene	0.20 U	ppbv		0.20	0.012	TO-15			10/1/10 08:22	JSS	A
p-Isopropyltoluene	0.20 U	ppbv		0.20	0.014	TO-15			10/1/10 08:22	JSS	A
Methyl methacrylate	0.20 U	ppbv		0.20	0.015	TO-15			10/1/10 08:22	JSS	A
Methyl t-Butyl Ether	0.20 U	ppbv		0.20	0.012	TO-15			10/1/10 08:22	JSS	A
4-Methyl-2-Pentanone(MIBK)	0.20 U	ppbv		0.20	0.018	TO-15			10/1/10 08:22	JSS	A
Methylene Chloride	1.7	ppbv		0.20	0.013	TO-15			10/1/10 08:22	JSS	A
Naphthalene	0.50	ppbv	13	0.20	0.027	TO-15			10/1/10 08:22	JSS	A
iso-Octane	0.20 U	ppbv		0.20	0.011	TO-15			10/1/10 08:22	JSS	A
n-Propylbenzene	0.71	ppbv		0.20	0.014	TO-15			10/1/10 08:22	JSS	A
Propylene	0.20 U	ppbv	14	0.20	0.019	TO-15			10/1/10 08:22	JSS	A
Styrene	0.20 U	ppbv		0.20	0.015	TO-15			10/1/10 08:22	JSS	A
1,1,2,2-Tetrachloroethane	0.20 U	ppbv		0.20	0.015	TO-15			10/1/10 08:22	JSS	A
Tetrachloroethene	0.20 U	ppbv		0.20	0.011	TO-15			10/1/10 08:22	JSS	A
Tetrahydrofuran	1.7	ppbv		0.20	0.011	TO-15			10/1/10 08:22	JSS	A
Toluene	1.1	ppbv		0.20	0.0090	TO-15			10/1/10 08:22	JSS	A
Total Xylenes	6.4	ppbv		0.20	0.10	TO-15			10/1/10 08:22	JSS	A
1,2,4-Trichlorobenzene	0.20 U	ppbv		0.20	0.019	TO-15			10/1/10 08:22	JSS	A
1,1,1-Trichloroethane	0.20 U	ppbv		0.20	0.014	TO-15			10/1/10 08:22	JSS	A
1,1,2-Trichloroethane	0.20 U	ppbv		0.20	0.016	TO-15			10/1/10 08:22	JSS	A
Trichloroethene	0.20 U	ppbv		0.20	0.011	TO-15			10/1/10 08:22	JSS	A
Trichlorofluoromethane	0.21	ppbv		0.20	0.013	TO-15			10/1/10 08:22	JSS	A
1,2,3-Trichloropropane	0.20 U	ppbv		0.20	0.017	TO-15			10/1/10 08:22	JSS	A
1,2,4-Trimethylbenzene	9.0	ppbv		0.20	0.013	TO-15			10/1/10 08:22	JSS	A
1,3,5-Trimethylbenzene	2.0	ppbv		0.20	0.014	TO-15			10/1/10 08:22	JSS	A
1,2,3-Trimethylbenzene	2.8	ppbv		0.20	0.010	TO-15			10/1/10 08:22	JSS	A
Vinyl Acetate	0.20 U	ppbv		0.20	0.016	TO-15			10/1/10 08:22	JSS	A
Vinyl Bromide	0.20 U	ppbv		0.20	0.016	TO-15			10/1/10 08:22	JSS	A
Vinyl Chloride	0.20 U	ppbv		0.20	0.016	TO-15			10/1/10 08:22	JSS	A
o-Xylene	2.3	ppbv		0.20	0.012	TO-15			10/1/10 08:22	JSS	A
mp-Xylene	4.2	ppbv		0.40	0.022	TO-15			10/1/10 08:22	JSS	A
Acetone	11	ug/m3		0.5	0.08	TO-15			10/1/10 08:22	JSS	A
Acrylonitrile	0.4 U	ug/m3		0.4	0.04	TO-15			10/1/10 08:22	JSS	A
tert-Amyl methyl ether	0.8 U	ug/m3		0.8	0.05	TO-15			10/1/10 08:22	JSS	A
Benzene	0.6 U	ug/m3		0.6	0.07	TO-15			10/1/10 08:22	JSS	A
Benzyl Chloride	1 U	ug/m3		1	0.08	TO-15			10/1/10 08:22	JSS	A
Bromodichloromethane	1 U	ug/m3		1	0.08	TO-15			10/1/10 08:22	JSS	A
Bromoform	2 U	ug/m3		2	0.1	TO-15			10/1/10 08:22	JSS	A
Bromomethane	0.8 U	ug/m3		0.8	0.08	TO-15			10/1/10 08:22	JSS	A
1,3-Butadiene	0.4 U	ug/m3		0.4	0.1	TO-15			10/1/10 08:22	JSS	A
n-Butane	0.5	ug/m3		0.5	0.07	TO-15			10/1/10 08:22	JSS	A
2-Butanone	4	ug/m3		0.6	0.05	TO-15			10/1/10 08:22	JSS	A
tert.- Butyl Alcohol	1	ug/m3		0.6	0.04	TO-15			10/1/10 08:22	JSS	A



ANALYTICAL RESULTS

Workorder: 9866056 EBE003|BETHPAGE-NY

Lab ID: **9866056009**
Sample ID: **SVE 105I-91610**

Date Collected: 9/16/2010 14:30
Date Received: 9/17/2010 09:20

Matrix: Air

Parameters	Results	Units	Footnotes	RDL	MDL	Method	Prepared By	Analyzed	By	Cntr
Carbon Disulfide	0.6 U	ug/m3		0.6	0.04	TO-15		10/1/10 08:22	JSS	A
Carbon Tetrachloride	1 U	ug/m3		1	0.09	TO-15		10/1/10 08:22	JSS	A
Chlorobenzene	0.9 U	ug/m3		0.9	0.07	TO-15		10/1/10 08:22	JSS	A
Chlorodibromomethane	2 U	ug/m3		2	0.07	TO-15		10/1/10 08:22	JSS	A
Chloroethane	0.5 U	ug/m3		0.5	0.05	TO-15		10/1/10 08:22	JSS	A
Chloroform	1 U	ug/m3		1	0.04	TO-15		10/1/10 08:22	JSS	A
Chloromethane	0.9	ug/m3		0.4	0.04	TO-15		10/1/10 08:22	JSS	A
3-Chloro-1-propene	0.6 U	ug/m3		0.6	0.04	TO-15		10/1/10 08:22	JSS	A
o-Chlorotoluene	1 U	ug/m3		1	0.09	TO-15		10/1/10 08:22	JSS	A
Cyclohexane	0.7 U	ug/m3		0.7	0.04	TO-15		10/1/10 08:22	JSS	A
1,2-Dibromoethane	2 U	ug/m3		2	0.08	TO-15		10/1/10 08:22	JSS	A
1,2-Dichlorobenzene	1 U	ug/m3		1	0.05	TO-15		10/1/10 08:22	JSS	A
1,3-Dichlorobenzene	1 U	ug/m3		1	0.09	TO-15		10/1/10 08:22	JSS	A
1,4-Dichlorobenzene	1 U	ug/m3		1	0.08	TO-15		10/1/10 08:22	JSS	A
Dichlorodifluoromethane	2	ug/m3		1	0.05	TO-15		10/1/10 08:22	JSS	A
1,1-Dichloroethane	0.8 U	ug/m3		0.8	0.06	TO-15		10/1/10 08:22	JSS	A
1,2-Dichloroethane	0.8 U	ug/m3		0.8	0.07	TO-15		10/1/10 08:22	JSS	A
1,1-Dichloroethene	0.8 U	ug/m3		0.8	0.07	TO-15		10/1/10 08:22	JSS	A
cis-1,2-Dichloroethene	0.8 U	ug/m3		0.8	0.1	TO-15		10/1/10 08:22	JSS	A
trans-1,2-Dichloroethene	0.8 U	ug/m3		0.8	0.04	TO-15		10/1/10 08:22	JSS	A
1,2-Dichloropropane	0.9 U	ug/m3		0.9	0.07	TO-15		10/1/10 08:22	JSS	A
cis-1,3-Dichloropropene	0.9 U	ug/m3		0.9	0.06	TO-15		10/1/10 08:22	JSS	A
trans-1,3-Dichloropropene	0.9 U	ug/m3		0.9	0.06	TO-15		10/1/10 08:22	JSS	A
1,3-Dichloropropene, Total	0.9 U	ug/m3		0.9	0.1	TO-15		10/1/10 08:22	JSS	A
Diisopropyl ether	0.8 U	ug/m3		0.8	0.6	TO-15		10/1/10 08:22	JSS	A
1,4-Dioxane	0.7 U	ug/m3		0.7	0.08	TO-15		10/1/10 08:22	JSS	A
Ethanol	5	ug/m3		0.4	0.2	TO-15		10/1/10 08:22	JSS	A
Ethyl Acetate	0.8 U	ug/m3		0.8	0.5	TO-15		10/1/10 08:22	JSS	A
Ethyl tert-butyl ether	0.8 U	ug/m3		0.8	0.06	TO-15		10/1/10 08:22	JSS	A
Ethylbenzene	4	ug/m3		0.9	0.04	TO-15		10/1/10 08:22	JSS	A
4-Ethyltoluene	7	ug/m3		1	0.06	TO-15		10/1/10 08:22	JSS	A
Freon 113	2 U	ug/m3		2	0.1	TO-15		10/1/10 08:22	JSS	A
Freon-114	1 U	ug/m3		1	0.1	TO-15		10/1/10 08:22	JSS	A
Heptane	0.8 U	ug/m3		0.8	0.09	TO-15		10/1/10 08:22	JSS	A
Hexachlorobutadiene	2 U	ug/m3		2	0.2	TO-15		10/1/10 08:22	JSS	A
Hexane	2	ug/m3		0.7	0.05	TO-15		10/1/10 08:22	JSS	A
2-Hexanone	0.8 U	ug/m3		0.8	0.05	TO-15		10/1/10 08:22	JSS	A
Isopropyl Alcohol	0.7	ug/m3		0.5	0.04	TO-15		10/1/10 08:22	JSS	A
Isopropylbenzene	1 U	ug/m3		1	0.06	TO-15		10/1/10 08:22	JSS	A
p-Isopropyltoluene	1 U	ug/m3		1	0.08	TO-15		10/1/10 08:22	JSS	A
Methyl Methacrylate	0.8 U	ug/m3		0.8	0.06	TO-15		10/1/10 08:22	JSS	A
Methyl t-Butyl Ether	0.7 U	ug/m3		0.7	0.04	TO-15		10/1/10 08:22	JSS	A
4-Methyl-2-Pentanone(MIBK)	0.8 U	ug/m3		0.8	0.07	TO-15		10/1/10 08:22	JSS	A
Methylene Chloride	6	ug/m3		0.7	0.05	TO-15		10/1/10 08:22	JSS	A
Naphthalene	3	ug/m3		1	0.1	TO-15		10/1/10 08:22	JSS	A
iso-Octane	0.9 U	ug/m3		0.9	0.05	TO-15		10/1/10 08:22	JSS	A



ANALYTICAL RESULTS

Workorder: 9866056 EBE003|BETHPAGE-NY

Lab ID: **9866056009**
Sample ID: **SVE 105I-91610**

Date Collected: 9/16/2010 14:30
Date Received: 9/17/2010 09:20

Matrix: Air

Parameters	Results	Units	Footnotes	RDL	MDL	Method	Prepared By	Analyzed	By	Cntr
n-Propylbenzene	4	ug/m3		1	0.07	TO-15		10/1/10 08:22	JSS	A
Propylene	0.3 U	ug/m3		0.3	0.03	TO-15		10/1/10 08:22	JSS	A
Styrene	0.9 U	ug/m3		0.9	0.06	TO-15		10/1/10 08:22	JSS	A
1,1,2,2-Tetrachloroethane	1 U	ug/m3		1	0.07	TO-15		10/1/10 08:22	JSS	A
Tetrachloroethene	1 U	ug/m3		1	0.08	TO-15		10/1/10 08:22	JSS	A
Tetrahydrofuran	5	ug/m3		0.6	0.03	TO-15		10/1/10 08:22	JSS	A
Toluene	4	ug/m3		0.8	0.03	TO-15		10/1/10 08:22	JSS	A
Total Xylenes	28	ug/m3		0.9	0.1	TO-15		10/1/10 08:22	JSS	A
1,2,4-Trichlorobenzene	1 U	ug/m3		1	0.1	TO-15		10/1/10 08:22	JSS	A
1,1,1-Trichloroethane	1 U	ug/m3		1	0.08	TO-15		10/1/10 08:22	JSS	A
1,1,2-Trichloroethane	1 U	ug/m3		1	0.09	TO-15		10/1/10 08:22	JSS	A
Trichloroethene	1 U	ug/m3		1	0.06	TO-15		10/1/10 08:22	JSS	A
Trichlorofluoromethane	1	ug/m3		1	0.07	TO-15		10/1/10 08:22	JSS	A
1,2,3-Trichloropropane	1 U	ug/m3		1	0.1	TO-15		10/1/10 08:22	JSS	A
1,2,4-Trimethylbenzene	44	ug/m3		1	0.06	TO-15		10/1/10 08:22	JSS	A
1,3,5-Trimethylbenzene	10	ug/m3		1	0.07	TO-15		10/1/10 08:22	JSS	A
1,2,3-Trimethylbenzene	14	ug/m3		1	0.05	TO-15		10/1/10 08:22	JSS	A
Vinyl Acetate	0.7 U	ug/m3		0.7	0.06	TO-15		10/1/10 08:22	JSS	A
Vinyl Bromide	0.9 U	ug/m3		0.9	0.07	TO-15		10/1/10 08:22	JSS	A
Vinyl Chloride	0.5 U	ug/m3		0.5	0.04	TO-15		10/1/10 08:22	JSS	A
o-Xylene	10	ug/m3		0.9	0.05	TO-15		10/1/10 08:22	JSS	A
mp-Xylenes	18	ug/m3		2	0.1	TO-15		10/1/10 08:22	JSS	A
<i>Surrogate Recoveries</i>	<i>Results</i>	<i>Units</i>	<i>Footnotes</i>	<i>Limits</i>		<i>Method</i>	<i>Prepared By</i>	<i>Analyzed</i>	<i>By</i>	<i>Cntr</i>
4-Bromofluorobenzene (S)	123	%		70-130		TO-15		10/1/10 08:22	JSS	A

Sample Comments:

The internal standards were recovered below the set criteria in the TO15 analysis of this sample. Matrix effect is believed to have caused this failure. Comparable results were attained from a replicate sample run. JSS 10/1/10.

Anna G Milliken
Laboratory Manager



ANALYTICAL RESULTS

Workorder: 9866056 EBE003|BETHPAGE-NY

Lab ID: **9866056010**
Sample ID: **SVE 105D-91610**

Date Collected: 9/16/2010 14:30
Date Received: 9/17/2010 09:20

Matrix: Air

Parameters	Results	Units	Footnotes	RDL	MDL	Method	Prepared By	Analyzed	By	Cntr
VOLATILE ORGANICS @ STP										
Acetone	15	ppbv		0.40	0.068	TO-15		10/4/10 21:22	JSS	A
Acrylonitrile	0.40 U	ppbv		0.40	0.032	TO-15		10/4/10 21:22	JSS	A
tert-Amyl methyl ether	0.40 U	ppbv		0.40	0.024	TO-15		10/4/10 21:22	JSS	A
Benzene	0.40 U	ppbv		0.40	0.042	TO-15		10/4/10 21:22	JSS	A
Benzyl Chloride	0.40 U	ppbv		0.40	0.030	TO-15		10/4/10 21:22	JSS	A
Bromodichloromethane	0.95	ppbv		0.40	0.024	TO-15		10/4/10 21:22	JSS	A
Bromoform	0.40 U	ppbv		0.40	0.020	TO-15		10/4/10 21:22	JSS	A
Bromomethane	0.40 U	ppbv		0.40	0.042	TO-15		10/4/10 21:22	JSS	A
1,3-Butadiene	0.40 U	ppbv		0.40	0.11	TO-15		10/4/10 21:22	JSS	A
n-Butane	0.40 U	ppbv		0.40	0.060	TO-15		10/4/10 21:22	JSS	A
2-Butanone	2.3	ppbv		0.40	0.034	TO-15		10/4/10 21:22	JSS	A
tert.- Butyl Alcohol	0.87	ppbv		0.40	0.028	TO-15		10/4/10 21:22	JSS	A
Carbon Disulfide	0.40 U	ppbv		0.40	0.026	TO-15		10/4/10 21:22	JSS	A
Carbon Tetrachloride	0.54	ppbv		0.40	0.028	TO-15		10/4/10 21:22	JSS	A
Chlorobenzene	0.40 U	ppbv		0.40	0.032	TO-15		10/4/10 21:22	JSS	A
Chlorodibromomethane	0.40 U	ppbv		0.40	0.016	TO-15		10/4/10 21:22	JSS	A
Chloroethane	0.43	ppbv		0.40	0.036	TO-15		10/4/10 21:22	JSS	A
Chloroform	0.40 U	ppbv		0.40	0.016	TO-15		10/4/10 21:22	JSS	A
Chloromethane	0.60	ppbv		0.40	0.036	TO-15		10/4/10 21:22	JSS	A
3-Chloro-1-propene	0.40 U	ppbv		0.40	0.028	TO-15		10/4/10 21:22	JSS	A
o-Chlorotoluene	0.40 U	ppbv		0.40	0.034	TO-15		10/4/10 21:22	JSS	A
Cyclohexane	0.40 U	ppbv		0.40	0.022	TO-15		10/4/10 21:22	JSS	A
1,2-Dibromoethane	0.40 U	ppbv		0.40	0.020	TO-15		10/4/10 21:22	JSS	A
1,2-Dichlorobenzene	0.40 U	ppbv		0.40	0.018	TO-15		10/4/10 21:22	JSS	A
1,3-Dichlorobenzene	0.40 U	ppbv		0.40	0.030	TO-15		10/4/10 21:22	JSS	A
1,4-Dichlorobenzene	0.40 U	ppbv		0.40	0.026	TO-15		10/4/10 21:22	JSS	A
Dichlorodifluoromethane	0.50	ppbv		0.40	0.022	TO-15		10/4/10 21:22	JSS	A
1,1-Dichloroethane	63	ppbv		0.40	0.028	TO-15		10/4/10 21:22	JSS	A
1,2-Dichloroethane	0.40 U	ppbv		0.40	0.032	TO-15		10/4/10 21:22	JSS	A
1,1-Dichloroethene	0.44	ppbv		0.40	0.034	TO-15		10/4/10 21:22	JSS	A
cis-1,2-Dichloroethene	75	ppbv		0.40	0.072	TO-15		10/4/10 21:22	JSS	A
trans-1,2-Dichloroethene	0.79	ppbv		0.40	0.020	TO-15		10/4/10 21:22	JSS	A
1,2-Dichloropropane	0.40 U	ppbv		0.40	0.032	TO-15		10/4/10 21:22	JSS	A
cis-1,3-Dichloropropene	0.40 U	ppbv		0.40	0.026	TO-15		10/4/10 21:22	JSS	A
trans-1,3-Dichloropropene	0.40 U	ppbv		0.40	0.026	TO-15		10/4/10 21:22	JSS	A
1,3-Dichloropropene, Total	0.40 U	ppbv		0.40	0.20	TO-15		10/4/10 21:22	JSS	A
Diisopropyl ether	0.55	ppbv		0.40	0.28	TO-15		10/4/10 21:22	JSS	A
1,4-Dioxane	0.40 U	ppbv		0.40	0.042	TO-15		10/4/10 21:22	JSS	A
Ethanol	4.0	ppbv		0.40	0.17	TO-15		10/4/10 21:22	JSS	A
Ethyl Acetate	0.62	ppbv		0.40	0.28	TO-15		10/4/10 21:22	JSS	A
Ethyl tert-butyl ether	0.40 U	ppbv		0.40	0.028	TO-15		10/4/10 21:22	JSS	A
Ethylbenzene	0.86	ppbv		0.40	0.018	TO-15		10/4/10 21:22	JSS	A
4-Ethyltoluene	1.0	ppbv		0.40	0.024	TO-15		10/4/10 21:22	JSS	A
Freon 113	11	ppbv		0.40	0.028	TO-15		10/4/10 21:22	JSS	A
Freon-114	0.40 U	ppbv		0.40	0.038	TO-15		10/4/10 21:22	JSS	A
Heptane	0.40 U	ppbv		0.40	0.042	TO-15		10/4/10 21:22	JSS	A



ANALYTICAL RESULTS

Workorder: 9866056 EBE003|BETHPAGE-NY

Lab ID: **9866056010**
Sample ID: **SVE 105D-91610**

Date Collected: 9/16/2010 14:30
Date Received: 9/17/2010 09:20

Matrix: Air

Parameters	Results	Units	Footnotes	RDL	MDL	Method	Prepared By	Analyzed	By	Cntr
Hexachlorobutadiene	0.40 U	ppbv		0.40	0.038	TO-15		10/4/10 21:22	JSS	A
Hexane	1.4	ppbv		0.40	0.028	TO-15		10/4/10 21:22	JSS	A
2-Hexanone	0.40 U	ppbv		0.40	0.024	TO-15		10/4/10 21:22	JSS	A
Isopropyl Alcohol	0.83	ppbv		0.40	0.036	TO-15		10/4/10 21:22	JSS	A
Isopropylbenzene	0.40 U	ppbv		0.40	0.024	TO-15		10/4/10 21:22	JSS	A
p-Isopropyltoluene	0.40 U	ppbv		0.40	0.028	TO-15		10/4/10 21:22	JSS	A
Methyl methacrylate	0.40 U	ppbv		0.40	0.030	TO-15		10/4/10 21:22	JSS	A
Methyl t-Butyl Ether	0.40 U	ppbv		0.40	0.024	TO-15		10/4/10 21:22	JSS	A
4-Methyl-2-Pentanone(MIBK)	0.40 U	ppbv		0.40	0.036	TO-15		10/4/10 21:22	JSS	A
Methylene Chloride	4.6	ppbv	26	0.40	0.026	TO-15		10/4/10 21:22	JSS	A
Naphthalene	1.6	ppbv		0.40	0.054	TO-15		10/4/10 21:22	JSS	A
iso-Octane	0.40 U	ppbv		0.40	0.022	TO-15		10/4/10 21:22	JSS	A
n-Propylbenzene	0.58	ppbv		0.40	0.028	TO-15		10/4/10 21:22	JSS	A
Propylene	1.2	ppbv		0.40	0.038	TO-15		10/4/10 21:22	JSS	A
Styrene	0.40 U	ppbv		0.40	0.030	TO-15		10/4/10 21:22	JSS	A
1,1,2,2-Tetrachloroethane	0.40 U	ppbv		0.40	0.030	TO-15		10/4/10 21:22	JSS	A
Tetrachloroethene	40	ppbv		0.40	0.022	TO-15		10/4/10 21:22	JSS	A
Tetrahydrofuran	2.0	ppbv		0.40	0.022	TO-15		10/4/10 21:22	JSS	A
Toluene	0.88	ppbv		0.40	0.018	TO-15		10/4/10 21:22	JSS	A
Total Xylenes	5.2	ppbv		0.40	0.20	TO-15		10/4/10 21:22	JSS	A
1,2,4-Trichlorobenzene	0.40 U	ppbv		0.40	0.038	TO-15		10/4/10 21:22	JSS	A
1,1,1-Trichloroethane	190	ppbv	34	2.0	0.14	TO-15		9/30/10 01:53	JSS	A
1,1,2-Trichloroethane	0.40 U	ppbv		0.40	0.032	TO-15		10/4/10 21:22	JSS	A
Trichloroethene	200	ppbv	35	2.0	0.11	TO-15		9/30/10 01:53	JSS	A
Trichlorofluoromethane	0.40 U	ppbv		0.40	0.026	TO-15		10/4/10 21:22	JSS	A
1,2,3-Trichloropropane	0.40 U	ppbv		0.40	0.034	TO-15		10/4/10 21:22	JSS	A
1,2,4-Trimethylbenzene	6.0	ppbv		0.40	0.026	TO-15		10/4/10 21:22	JSS	A
1,3,5-Trimethylbenzene	1.2	ppbv		0.40	0.028	TO-15		10/4/10 21:22	JSS	A
1,2,3-Trimethylbenzene	1.7	ppbv		0.40	0.020	TO-15		10/4/10 21:22	JSS	A
Vinyl Acetate	0.47	ppbv		0.40	0.032	TO-15		10/4/10 21:22	JSS	A
Vinyl Bromide	0.40 U	ppbv		0.40	0.032	TO-15		10/4/10 21:22	JSS	A
Vinyl Chloride	0.40 U	ppbv		0.40	0.032	TO-15		10/4/10 21:22	JSS	A
o-Xylene	1.7	ppbv		0.40	0.024	TO-15		10/4/10 21:22	JSS	A
mp-Xylene	3.4	ppbv		0.80	0.044	TO-15		10/4/10 21:22	JSS	A
Acetone	35	ug/m3		1	0.2	TO-15		10/4/10 21:22	JSS	A
Acrylonitrile	0.9 U	ug/m3		0.9	0.07	TO-15		10/4/10 21:22	JSS	A
tert-Amyl methyl ether	2 U	ug/m3		2	0.1	TO-15		10/4/10 21:22	JSS	A
Benzene	1 U	ug/m3		1	0.1	TO-15		10/4/10 21:22	JSS	A
Benzyl Chloride	2 U	ug/m3		2	0.2	TO-15		10/4/10 21:22	JSS	A
Bromodichloromethane	6	ug/m3		3	0.2	TO-15		10/4/10 21:22	JSS	A
Bromoform	4 U	ug/m3		4	0.2	TO-15		10/4/10 21:22	JSS	A
Bromomethane	2 U	ug/m3		2	0.2	TO-15		10/4/10 21:22	JSS	A
1,3-Butadiene	0.9 U	ug/m3		0.9	0.2	TO-15		10/4/10 21:22	JSS	A
n-Butane	1 U	ug/m3		1	0.1	TO-15		10/4/10 21:22	JSS	A
2-Butanone	7	ug/m3		1	0.1	TO-15		10/4/10 21:22	JSS	A
tert.- Butyl Alcohol	3	ug/m3		1	0.08	TO-15		10/4/10 21:22	JSS	A



ANALYTICAL RESULTS

Workorder: 9866056 EBE003|BETHPAGE-NY

Lab ID: **9866056010**
Sample ID: **SVE 105D-91610**

Date Collected: 9/16/2010 14:30
Date Received: 9/17/2010 09:20

Matrix: Air

Parameters	Results	Units	Footnotes	RDL	MDL	Method	Prepared	By	Analyzed	By	Cntr
Carbon Disulfide	1 U	ug/m3		1	0.08	TO-15			10/4/10 21:22	JSS	A
Carbon Tetrachloride	3	ug/m3		3	0.2	TO-15			10/4/10 21:22	JSS	A
Chlorobenzene	2 U	ug/m3		2	0.1	TO-15			10/4/10 21:22	JSS	A
Chlorodibromomethane	3 U	ug/m3		3	0.1	TO-15			10/4/10 21:22	JSS	A
Chloroethane	1	ug/m3		1	0.09	TO-15			10/4/10 21:22	JSS	A
Chloroform	2 U	ug/m3		2	0.08	TO-15			10/4/10 21:22	JSS	A
Chloromethane	1	ug/m3		0.8	0.07	TO-15			10/4/10 21:22	JSS	A
3-Chloro-1-propene	1 U	ug/m3		1	0.09	TO-15			10/4/10 21:22	JSS	A
o-Chlorotoluene	2 U	ug/m3		2	0.2	TO-15			10/4/10 21:22	JSS	A
Cyclohexane	1 U	ug/m3		1	0.08	TO-15			10/4/10 21:22	JSS	A
1,2-Dibromoethane	3 U	ug/m3		3	0.2	TO-15			10/4/10 21:22	JSS	A
1,2-Dichlorobenzene	2 U	ug/m3		2	0.1	TO-15			10/4/10 21:22	JSS	A
1,3-Dichlorobenzene	2 U	ug/m3		2	0.2	TO-15			10/4/10 21:22	JSS	A
1,4-Dichlorobenzene	2 U	ug/m3		2	0.2	TO-15			10/4/10 21:22	JSS	A
Dichlorodifluoromethane	2	ug/m3		2	0.1	TO-15			10/4/10 21:22	JSS	A
1,1-Dichloroethane	250	ug/m3		2	0.1	TO-15			10/4/10 21:22	JSS	A
1,2-Dichloroethane	2 U	ug/m3		2	0.1	TO-15			10/4/10 21:22	JSS	A
1,1-Dichloroethene	2	ug/m3		2	0.1	TO-15			10/4/10 21:22	JSS	A
cis-1,2-Dichloroethene	300	ug/m3		2	0.3	TO-15			10/4/10 21:22	JSS	A
trans-1,2-Dichloroethene	3	ug/m3		2	0.08	TO-15			10/4/10 21:22	JSS	A
1,2-Dichloropropane	2 U	ug/m3		2	0.1	TO-15			10/4/10 21:22	JSS	A
cis-1,3-Dichloropropene	2 U	ug/m3		2	0.1	TO-15			10/4/10 21:22	JSS	A
trans-1,3-Dichloropropene	2 U	ug/m3		2	0.1	TO-15			10/4/10 21:22	JSS	A
1,3-Dichloropropene, Total	2 U	ug/m3		2	0.2	TO-15			10/4/10 21:22	JSS	A
Diisopropyl ether	2	ug/m3		2	1	TO-15			10/4/10 21:22	JSS	A
1,4-Dioxane	1 U	ug/m3		1	0.2	TO-15			10/4/10 21:22	JSS	A
Ethanol	8	ug/m3		0.8	0.3	TO-15			10/4/10 21:22	JSS	A
Ethyl Acetate	2	ug/m3		2	1	TO-15			10/4/10 21:22	JSS	A
Ethyl tert-butyl ether	2 U	ug/m3		2	0.1	TO-15			10/4/10 21:22	JSS	A
Ethylbenzene	4	ug/m3		2	0.08	TO-15			10/4/10 21:22	JSS	A
4-Ethyltoluene	5	ug/m3		2	0.1	TO-15			10/4/10 21:22	JSS	A
Freon 113	81	ug/m3		3	0.2	TO-15			10/4/10 21:22	JSS	A
Freon-114	3 U	ug/m3		3	0.3	TO-15			10/4/10 21:22	JSS	A
Heptane	2 U	ug/m3		2	0.2	TO-15			10/4/10 21:22	JSS	A
Hexachlorobutadiene	4 U	ug/m3		4	0.4	TO-15			10/4/10 21:22	JSS	A
Hexane	5	ug/m3		1	0.1	TO-15			10/4/10 21:22	JSS	A
2-Hexanone	2 U	ug/m3		2	0.1	TO-15			10/4/10 21:22	JSS	A
Isopropyl Alcohol	2	ug/m3		1	0.09	TO-15			10/4/10 21:22	JSS	A
Isopropylbenzene	2 U	ug/m3		2	0.1	TO-15			10/4/10 21:22	JSS	A
p-Isopropyltoluene	2 U	ug/m3		2	0.2	TO-15			10/4/10 21:22	JSS	A
Methyl Methacrylate	2 U	ug/m3		2	0.1	TO-15			10/4/10 21:22	JSS	A
Methyl t-Butyl Ether	1 U	ug/m3		1	0.09	TO-15			10/4/10 21:22	JSS	A
4-Methyl-2-Pentanone(MIBK)	2 U	ug/m3		2	0.1	TO-15			10/4/10 21:22	JSS	A
Methylene Chloride	16	ug/m3	26	1	0.09	TO-15			10/4/10 21:22	JSS	A
Naphthalene	9	ug/m3		2	0.3	TO-15			10/4/10 21:22	JSS	A
iso-Octane	2 U	ug/m3		2	0.1	TO-15			10/4/10 21:22	JSS	A



ANALYTICAL RESULTS

Workorder: 9866056 EBE003|BETHPAGE-NY

Lab ID: **9866056010**
Sample ID: **SVE 105D-91610**

Date Collected: 9/16/2010 14:30
Date Received: 9/17/2010 09:20

Matrix: Air

Parameters	Results	Units	Footnotes	RDL	MDL	Method	Prepared	By	Analyzed	By	Cntr
n-Propylbenzene	3	ug/m3		2	0.1	TO-15			10/4/10 21:22	JSS	A
Propylene	2	ug/m3		0.7	0.07	TO-15			10/4/10 21:22	JSS	A
Styrene	2 U	ug/m3		2	0.1	TO-15			10/4/10 21:22	JSS	A
1,1,2,2-Tetrachloroethane	3 U	ug/m3		3	0.1	TO-15			10/4/10 21:22	JSS	A
Tetrachloroethene	270	ug/m3		3	0.2	TO-15			10/4/10 21:22	JSS	A
Tetrahydrofuran	6	ug/m3		1	0.06	TO-15			10/4/10 21:22	JSS	A
Toluene	3	ug/m3		2	0.07	TO-15			10/4/10 21:22	JSS	A
Total Xylenes	22	ug/m3		2	0.2	TO-15			10/4/10 21:22	JSS	A
1,2,4-Trichlorobenzene	3 U	ug/m3		3	0.3	TO-15			10/4/10 21:22	JSS	A
1,1,1-Trichloroethane	1000	ug/m3	34	11	0.8	TO-15			9/30/10 01:53	JSS	A
1,1,2-Trichloroethane	2 U	ug/m3		2	0.2	TO-15			10/4/10 21:22	JSS	A
Trichloroethene	1100	ug/m3	35	11	0.6	TO-15			9/30/10 01:53	JSS	A
Trichlorofluoromethane	2 U	ug/m3		2	0.1	TO-15			10/4/10 21:22	JSS	A
1,2,3-Trichloropropane	2 U	ug/m3		2	0.2	TO-15			10/4/10 21:22	JSS	A
1,2,4-Trimethylbenzene	30	ug/m3		2	0.1	TO-15			10/4/10 21:22	JSS	A
1,3,5-Trimethylbenzene	6	ug/m3		2	0.1	TO-15			10/4/10 21:22	JSS	A
1,2,3-Trimethylbenzene	8	ug/m3		2	0.1	TO-15			10/4/10 21:22	JSS	A
Vinyl Acetate	2	ug/m3		1	0.1	TO-15			10/4/10 21:22	JSS	A
Vinyl Bromide	2 U	ug/m3		2	0.1	TO-15			10/4/10 21:22	JSS	A
Vinyl Chloride	1 U	ug/m3		1	0.08	TO-15			10/4/10 21:22	JSS	A
o-Xylene	7	ug/m3		2	0.1	TO-15			10/4/10 21:22	JSS	A
mp-Xylenes	15	ug/m3		3	0.2	TO-15			10/4/10 21:22	JSS	A
<i>Surrogate Recoveries</i>	<i>Results</i>	<i>Units</i>	<i>Footnotes</i>	<i>Limits</i>		<i>Method</i>	<i>Prepared</i>	<i>By</i>	<i>Analyzed</i>	<i>By</i>	<i>Cntr</i>
4-Bromofluorobenzene (S)	78.3	%		70-130		TO-15			9/30/10 01:53	JSS	A
4-Bromofluorobenzene (S)	101	%		70-130		TO-15			10/4/10 21:22	JSS	A

Sample Comments:

This sample was run at a 2x dilution due to insufficient sample volume. JSS 10/1/10.


Anna G Milliken
Laboratory Manager



ANALYTICAL RESULTS QUALIFIERS/FLAGS

Workorder: 9866056 EBE003|BETHPAGE-NY

PARAMETER QUALIFIERS/FLAGS

- [1] The QC sample type LCS for method TO-15 was outside the control limits for the analyte Acetone. The % Recovery was reported as 202 and the control limits were 60 to 140.
- [2] The QC sample type LCS for method TO-15 was outside the control limits for the analyte cis-1,2-Dichloroethene. The % Recovery was reported as 144 and the control limits were 60 to 140.
- [3] The QC sample type LCS for method TO-15 was outside the control limits for the analyte Diisopropyl ether. The % Recovery was reported as 25.5 and the control limits were 60 to 140.
- [4] The QC sample type LCS for method TO-15 was outside the control limits for the analyte Ethanol. The % Recovery was reported as 176 and the control limits were 60 to 140.
- [5] The QC sample type LCS for method TO-15 was outside the control limits for the analyte Methylene Chloride. The % Recovery was reported as 24.6 and the control limits were 60 to 140.
- [6] The QC sample type LCS for method TO-15 was outside the control limits for the analyte Acetone. The % Recovery was reported as 204 and the control limits were 60 to 140.
- [7] The QC sample type LCS for method TO-15 was outside the control limits for the analyte Dichlorodifluoromethane. The % Recovery was reported as 141 and the control limits were 60 to 140.
- [8] The QC sample type LCS for method TO-15 was outside the control limits for the analyte Diisopropyl ether. The % Recovery was reported as 0 and the control limits were 60 to 140.
- [9] The QC sample type LCS for method TO-15 was outside the control limits for the analyte Ethanol. The % Recovery was reported as 148 and the control limits were 60 to 140.
- [11] The QC sample type LCS for method TO-15 was outside the control limits for the analyte Isopropyl Alcohol. The % Recovery was reported as 175 and the control limits were 60 to 140.
- [13]
- [14] The QC sample type LCS for method TO-15 was outside the control limits for the analyte Propylene. The % Recovery was reported as 0 and the control limits were 60 to 140.
- [19] The QC sample type LCS for method TO-15 was outside the control limits for the analyte Isopropyl Alcohol. The % Recovery was reported as 171 and the control limits were 60 to 140.
- [20] The QC sample type LCS for method TO-15 was outside the control limits for the analyte Acetone. The % Recovery was reported as 175 and the control limits were 60 to 140.
- [21] The QC sample type LCS for method TO-15 was outside the control limits for the analyte Chloromethane. The % Recovery was reported as 147 and the control limits were 60 to 140.
- [22] The QC sample type LCS for method TO-15 was outside the control limits for the analyte Dichlorodifluoromethane. The % Recovery was reported as 143 and the control limits were 60 to 140.
- [23] The QC sample type LCS for method TO-15 was outside the control limits for the analyte Diisopropyl ether. The % Recovery was reported as 153 and the control limits were 60 to 140.
- [24] The QC sample type LCS for method TO-15 was outside the control limits for the analyte Ethanol. The % Recovery was reported as 167 and the control limits were 60 to 140.



ANALYTICAL RESULTS QUALIFIERS/FLAGS

Workorder: 9866056 EBE003|BETHPAGE-NY

PARAMETER QUALIFIERS/FLAGS

- [25] The QC sample type LCS for method TO-15 was outside the control limits for the analyte Isopropyl Alcohol. The % Recovery was reported as 197 and the control limits were 60 to 140.
- [26] The QC sample type LCS for method TO-15 was outside the control limits for the analyte Methylene Chloride. The % Recovery was reported as 168 and the control limits were 60 to 140.
- [27] The QC sample type LCS for method TO-15 was outside the control limits for the analyte Trichlorofluoromethane. The % Recovery was reported as 149 and the control limits were 60 to 140.
- [34] The internal standard associated with 1,1,1-Trichloroethane was slightly below control limits in the TO-15 analysis. The reported value is consistent with the result from re-analysis. JDA 10/5/10
- [35] The internal standard associated with Trichloroethene was slightly below control limits in the TO-15 analysis. The reported value is consistent with the result from re-analysis. JDA 10/5/10

□



Analytical Laboratory Services, Inc.

Environmental • Industrial Hygiene • Field Services

34 Dogwood Lane • Middletown, PA 17057 • 717.944.5541 • Fax: 717.944.1430

AIR ANALYSIS CHAIN-OF-CUSTODY/REQUEST FOR ANALYSIS

ALL SHADED AREAS MUST BE COMPLETED BY THE CLIENT / SAMPLER. INSTRUCTIONS ON THE BACK.



* 9 8 6 6 0 5 6 *

of

1. CLIENT INFORMATION

Client Name/Address: _____
 Contact: MATT LAPP
 Phone#: 767-240-3237
 Project Name/#: Site I SVE System Retro
 Bill To: _____
 TAT: Normal-Standard TAT is 10-12 business days.
 Rush-Subject to ALSI approval and surcharges.
 Date Required: _____ Approved By: _____
 Email? -Y MATT-LAPP@EOR.com
 Fax? -Y No: _____

2. ANALYSES/METHOD REQUESTED

No.	TO-15 Analysis	STD LIST	UST LIST	OTHER	TO-13 Analysis	STD LIST	OTHER	COMMENTS
1	X							
2	X							
3	X							
4	X							
5	X							
6	X							
7	X							
8	X							
9	X							
10	X							

Cooler Temp: NY Therm. ID: _____
 No. of Coolers: _____ Y N Initial SL
 Custody Seals Present?
 (if present) Seals Intact?
 (TO-13) Received on Ice?
 COC/Labels Complete/Accurate?
 Cont. in Good Cond.?
 Correct Containers?
 Correct Sample Volumes?
 Courier/Tracking #: 870 2430 6225

3. FIELD DATA SHEET

SAMPLE INFORMATION FOR BOTH TO-15 AND TO-13					TO-15 FIELD DATA				TO-13 FIELD DATA				
Sample Description/Location (as it will appear on the lab report)	Sample Date	Start Time	Stop Time	Temp Deg C	1L	6L	Canister No.	Flow Controller No.	Ending Canister Pressure ("Hg)	PUF No.	Pump No.	Pump Flow Rate	Total Volume
1 SVE 101 I - 91610	9-16	1330	1430			X	1513	7279712	-6				
2 SVE 101 D - 91610	9-16	1330	1430			X	5518	7710360	17				
3 SVE 102 I - 91610	9-16	1330	1430	30 ⁶⁰ min		X	1401	7266915	-11				
4 SVE 102 D - 91610	9-16	1330	1430			X	1536	7267069	-19				
5 SVE 103 I - 91610	9-16	1330	1430	30 ⁶⁰ min		X	1363	72811004	-10				
6 SVE 103 D - 91610	9-16	1330	1430			X	1407	7305910	-18				
7 SVE 104 I - 91610	9-16	1330	1430			X	1372	72811002	-10				
8 SVE 104 D - 91610	9-16	1330	1430			X	1511	7281184	-17				
9 SVE 105 I - 91610	9-16	1330	1430			X	1809	7281458	-9				
10 SVE 105 D - 91610	9-16	1330	1430			X	1432	7337488	10				

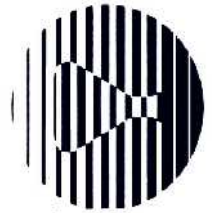
4. SAMPLED BY (Please Print) _____
 LOGGED BY (signature): _____ # 9-17-10 # 1113
 REVIEWED BY (signature): _____ # 10810 # _____

Relinquished By / Company Name	Date	Time	Received By / Company Name	Date	Time
1 _____	9-16-10	1730	2 _____	9-17-10	0920
3 _____		1730	4 _____		
5 _____			6 _____		
7 _____			8 _____		
9 _____			10 _____		

5. PROJECT INFORMATION

Standard CLP-like
 DOD
 Other
 EDDs: Format Type: _____
 ALSI Field Services: Pickup Labor
 Composite Sampling Rental Equipment
 Other: _____

State Samples Collected In: NY NJ PA NC other



ANALYTICAL LABORATORY SERVICES, INC.

www.analyticalab.com
NELAP Accredited
PA 22-293 NJ PA010



34 Dogwood Lane - Middletown, PA 17057 Phone: 717-944-5541 Fax: 717-944-1430



Certificate of Analysis

Project Name: **BETHPAGE-NY**
Purchase Order:

Workorder: **9866055**
Workorder ID: **EBE002|BETHPAGE-NY**

Mr. Matt Lapp
ECOR Solutions
440 Creamery Way
Suite 150
Exton, PA 19341

September 29, 2010

Dear Mr. Lapp,

Enclosed are the analytical results for samples received by the laboratory on Friday, September 17, 2010

ALSI is a National Environmental Laboratory Accreditation Program (NELAP) accredited laboratory and as such, certifies that all applicable test results meet the requirements of NELAP.

If you have any questions regarding this certificate of analysis, please contact Tonya Hironimus (Project Coordinator) or Anna G Milliken (Laboratory Manager) at (717) 944-5541.

Please visit us at www.analyticallab.com for a listing of ALSI's NELAP accreditations and Scope of Work, as well as other links to Water Quality documentation on the internet.

This laboratory report may not be reproduced, except in full, without the written approval of ALSI.

NOTE: ALSI has changed the report generation tool and while we have tried to retain the existing format, you will notice some changes in the laboratory report. Please feel free to contact ALSI in case you have any questions.

Analytical Laboratory Services, Inc.

This page is included as part of the Analytical Report and must be retained as a permanent record thereof.


Anna G Milliken
Laboratory Manager



SAMPLE SUMMARY

Workorder: 9866055 EBE002|BETHPAGE-NY

Discard Date: 10/13/2010

Lab ID	Sample ID	Matrix	Date Collected	Date Received	Collected By
9866055001	SVE 106I-91610	Air	9/16/10 14:00	9/17/10 09:20	Customer
9866055002	SVE 106D-91610	Air	9/16/10 14:30	9/17/10 09:20	Customer
9866055003	SVE TI-91610-01	Air	9/16/10 16:30	9/17/10 09:20	Customer
9866055004	SVE TE-91610	Air	9/16/10 16:30	9/17/10 09:20	Customer
9866055005	SVE TI-91610-02	Air	9/16/10 17:30	9/17/10 09:20	Customer

Workorder Comments:

Notes

- Samples collected by ALSI personnel are done so in accordance with the procedures set forth in the ALSI Field Sampling Plan (20 - Field Services Sampling Plan).
- All Waste Water analyses comply with methodology requirements of 40 CFR Part 136.
- All Drinking Water analyses comply with methodology requirements of 40 CFR Part 141.
- Unless otherwise noted, all quantitative results for soils are reported on a dry weight basis.
- The Chain of Custody document is included as part of this report.

Standard Acronyms/Flags

- J, B Indicates an estimated value between the Method Detection Limit (MDL) and the Practical Quantitation Limit (PQL) for the analyte
- U Indicates that the analyte was Not Detected (ND)
- N Indicates presumptive evidence of the presence of a compound
- MDL Method Detection Limit
- PQL Practical Quantitation Limit
- RDL Reporting Detection Limit
- ND Not Detected - indicates that the analyte was Not Detected at the RDL
- Cntr Analysis was performed using this container
- RegLmt Regulatory Limit
- LCS Laboratory Control Sample
- MS Matrix Spike
- MSD Matrix Spike Duplicate
- DUP Sample Duplicate
- %Rec Percent Recovery
- RPD Relative Percent Difference



ANALYTICAL RESULTS

Workorder: 9866055 EBE002|BETHPAGE-NY

Lab ID: **9866055001**
Sample ID: **SVE 106I-91610**

Date Collected: 9/16/2010 14:00
Date Received: 9/17/2010 09:20

Matrix: Air

Parameters	Results	Units	Footnotes	RDL	MDL	Method	Prepared By	Analyzed	By	Cntr
VOLATILE ORGANICS @ STP										
Acetone	2.3	ppbv	1	0.20	0.034	TO-15		9/25/10 01:17	JEA	A
Acrylonitrile	0.21	ppbv	2	0.20	0.016	TO-15		9/25/10 01:17	JEA	A
tert-Amyl methyl ether	0.15J	ppbv		0.20	0.012	TO-15		9/25/10 01:17	JEA	A
Benzene	0.25	ppbv	3	0.20	0.021	TO-15		9/25/10 01:17	JEA	A
Benzyl Chloride	0.20	ppbv		0.20	0.015	TO-15		9/25/10 01:17	JEA	A
Bromodichloromethane	0.19J	ppbv	4	0.20	0.012	TO-15		9/25/10 01:17	JEA	A
Bromoform	0.17J	ppbv	5	0.20	0.010	TO-15		9/25/10 01:17	JEA	A
Bromomethane	0.22	ppbv	6	0.20	0.021	TO-15		9/25/10 01:17	JEA	A
1,3-Butadiene	0.44	ppbv	7	0.20	0.053	TO-15		9/25/10 01:17	JEA	A
n-Butane	0.33	ppbv	8	0.20	0.030	TO-15		9/25/10 01:17	JEA	A
2-Butanone	1.3	ppbv	9	0.20	0.017	TO-15		9/25/10 01:17	JEA	A
tert.- Butyl Alcohol	0.28	ppbv	10	0.20	0.014	TO-15		9/25/10 01:17	JEA	A
Carbon Disulfide	0.24	ppbv	11	0.20	0.013	TO-15		9/25/10 01:17	JEA	A
Carbon Tetrachloride	0.26	ppbv	12	0.20	0.014	TO-15		9/25/10 01:17	JEA	A
Chlorobenzene	0.18J	ppbv	13	0.20	0.016	TO-15		9/25/10 01:17	JEA	A
Chlorodibromomethane	0.18J	ppbv	14	0.20	0.0080	TO-15		9/25/10 01:17	JEA	A
Chloroethane	0.22	ppbv	15	0.20	0.018	TO-15		9/25/10 01:17	JEA	A
Chloroform	0.27	ppbv	16	0.20	0.0080	TO-15		9/25/10 01:17	JEA	A
Chloromethane	0.40	ppbv	17	0.20	0.018	TO-15		9/25/10 01:17	JEA	A
3-Chloro-1-propene	0.20 U	ppbv		0.20	0.014	TO-15		9/25/10 01:17	JEA	A
o-Chlorotoluene	0.15J	ppbv		0.20	0.017	TO-15		9/25/10 01:17	JEA	A
Cyclohexane	0.15J	ppbv		0.20	0.011	TO-15		9/25/10 01:17	JEA	A
1,2-Dibromoethane	0.17J	ppbv	18	0.20	0.010	TO-15		9/25/10 01:17	JEA	A
1,2-Dichlorobenzene	0.20J	ppbv	19	0.20	0.0090	TO-15		9/25/10 01:17	JEA	A
1,3-Dichlorobenzene	0.18J	ppbv	20	0.20	0.015	TO-15		9/25/10 01:17	JEA	A
1,4-Dichlorobenzene	0.17J	ppbv	21	0.20	0.013	TO-15		9/25/10 01:17	JEA	A
Dichlorodifluoromethane	0.58	ppbv	22	0.20	0.011	TO-15		9/25/10 01:17	JEA	A
1,1-Dichloroethane	0.28	ppbv	23	0.20	0.014	TO-15		9/25/10 01:17	JEA	A
1,2-Dichloroethane	0.20	ppbv	24	0.20	0.016	TO-15		9/25/10 01:17	JEA	A
1,1-Dichloroethene	0.20J	ppbv	25	0.20	0.017	TO-15		9/25/10 01:17	JEA	A
cis-1,2-Dichloroethene	1.0	ppbv	26	0.20	0.036	TO-15		9/25/10 01:17	JEA	A
trans-1,2-Dichloroethene	0.22	ppbv	27	0.20	0.010	TO-15		9/25/10 01:17	JEA	A
1,2-Dichloropropane	0.20J	ppbv	28	0.20	0.016	TO-15		9/25/10 01:17	JEA	A
cis-1,3-Dichloropropene	0.15J	ppbv		0.20	0.013	TO-15		9/25/10 01:17	JEA	A
trans-1,3-Dichloropropene	0.14J	ppbv		0.20	0.013	TO-15		9/25/10 01:17	JEA	A
1,3-Dichloropropene, Total	0.29	ppbv		0.20	0.10	TO-15		9/25/10 01:17	JEA	A
Diisopropyl ether	0.19J	ppbv	29	0.20	0.14	TO-15		9/25/10 01:17	JEA	A
1,4-Dioxane	0.20 U	ppbv		0.20	0.021	TO-15		9/25/10 01:17	JEA	A
Ethanol	1.4	ppbv	30	0.20	0.083	TO-15		9/25/10 01:17	JEA	A
Ethyl Acetate	0.19J	ppbv	31	0.20	0.14	TO-15		9/25/10 01:17	JEA	A
Ethyl tert-butyl ether	0.17J	ppbv		0.20	0.014	TO-15		9/25/10 01:17	JEA	A
Ethylbenzene	0.65	ppbv		0.20	0.0090	TO-15		9/25/10 01:17	JEA	A
4-Ethyltoluene	1.0	ppbv		0.20	0.012	TO-15		9/25/10 01:17	JEA	A
Freon 113	0.55	ppbv	32	0.20	0.014	TO-15		9/25/10 01:17	JEA	A
Freon-114	0.22	ppbv	33	0.20	0.019	TO-15		9/25/10 01:17	JEA	A
Heptane	0.16J	ppbv		0.20	0.021	TO-15		9/25/10 01:17	JEA	A



ANALYTICAL RESULTS

Workorder: 9866055 EBE002|BETHPAGE-NY

Lab ID: **9866055001**
Sample ID: **SVE 106I-91610**

Date Collected: 9/16/2010 14:00
Date Received: 9/17/2010 09:20

Matrix: Air

Parameters	Results	Units	Footnotes	RDL	MDL	Method	Prepared By	Analyzed	By	Cntr
Hexachlorobutadiene	0.21	ppbv	34	0.20	0.019	TO-15		9/25/10 01:17	JEA	A
Hexane	0.23	ppbv	35	0.20	0.014	TO-15		9/25/10 01:17	JEA	A
2-Hexanone	0.16J	ppbv		0.20	0.012	TO-15		9/25/10 01:17	JEA	A
Isopropyl Alcohol	0.44	ppbv	36	0.20	0.018	TO-15		9/25/10 01:17	JEA	A
Isopropylbenzene	0.20	ppbv		0.20	0.012	TO-15		9/25/10 01:17	JEA	A
p-Isopropyltoluene	0.29	ppbv		0.20	0.014	TO-15		9/25/10 01:17	JEA	A
Methyl methacrylate	0.15J	ppbv		0.20	0.015	TO-15		9/25/10 01:17	JEA	A
Methyl t-Butyl Ether	0.16J	ppbv		0.20	0.012	TO-15		9/25/10 01:17	JEA	A
4-Methyl-2-Pentanone(MIBK)	0.15J	ppbv		0.20	0.018	TO-15		9/25/10 01:17	JEA	A
Methylene Chloride	0.43	ppbv	37	0.20	0.013	TO-15		9/25/10 01:17	JEA	A
Naphthalene	1.1	ppbv		0.20	0.027	TO-15		9/25/10 01:17	JEA	A
iso-Octane	0.22	ppbv	38	0.20	0.011	TO-15		9/25/10 01:17	JEA	A
n-Propylbenzene	0.54	ppbv		0.20	0.014	TO-15		9/25/10 01:17	JEA	A
Propylene	0.20 U	ppbv		0.20	0.019	TO-15		9/25/10 01:17	JEA	A
Styrene	0.17J	ppbv		0.20	0.015	TO-15		9/25/10 01:17	JEA	A
1,1,2,2-Tetrachloroethane	0.16J	ppbv	39	0.20	0.015	TO-15		9/25/10 01:17	JEA	A
Tetrachloroethene	2.2	ppbv	40	0.20	0.011	TO-15		9/25/10 01:17	JEA	A
Tetrahydrofuran	2.1	ppbv		0.20	0.011	TO-15		9/25/10 01:17	JEA	A
Toluene	0.63	ppbv		0.20	0.0090	TO-15		9/25/10 01:17	JEA	A
Total Xylenes	3.8	ppbv		0.20	0.10	TO-15		9/25/10 01:17	JEA	A
1,2,4-Trichlorobenzene	0.21	ppbv		0.20	0.019	TO-15		9/25/10 01:17	JEA	A
1,1,1-Trichloroethane	0.82	ppbv	41	0.20	0.014	TO-15		9/25/10 01:17	JEA	A
1,1,2-Trichloroethane	0.18J	ppbv	42	0.20	0.016	TO-15		9/25/10 01:17	JEA	A
Trichloroethene	27	ppbv	43	0.20	0.011	TO-15		9/25/10 01:17	JEA	A
Trichlorofluoromethane	0.38	ppbv	44	0.20	0.013	TO-15		9/25/10 01:17	JEA	A
1,2,3-Trichloropropane	0.19J	ppbv	45	0.20	0.017	TO-15		9/25/10 01:17	JEA	A
1,2,4-Trimethylbenzene	6.0	ppbv		0.20	0.013	TO-15		9/25/10 01:17	JEA	A
1,3,5-Trimethylbenzene	1.2	ppbv		0.20	0.014	TO-15		9/25/10 01:17	JEA	A
1,2,3-Trimethylbenzene	1.7	ppbv		0.20	0.010	TO-15		9/25/10 01:17	JEA	A
Vinyl Acetate	0.29	ppbv	46	0.20	0.016	TO-15		9/25/10 01:17	JEA	A
Vinyl Bromide	0.20	ppbv	47	0.20	0.016	TO-15		9/25/10 01:17	JEA	A
Vinyl Chloride	0.21	ppbv	48	0.20	0.016	TO-15		9/25/10 01:17	JEA	A
o-Xylene	1.3	ppbv		0.20	0.012	TO-15		9/25/10 01:17	JEA	A
mp-Xylene	2.5	ppbv		0.40	0.022	TO-15		9/25/10 01:17	JEA	A
Acetone	5	ug/m3		0.5	0.08	TO-15		9/25/10 01:17	JEA	A
Acrylonitrile	0.4	ug/m3		0.4	0.04	TO-15		9/25/10 01:17	JEA	A
tert-Amyl methyl ether	0.6J	ug/m3		0.8	0.05	TO-15		9/25/10 01:17	JEA	A
Benzene	0.8	ug/m3		0.6	0.07	TO-15		9/25/10 01:17	JEA	A
Benzyl Chloride	1	ug/m3		1	0.08	TO-15		9/25/10 01:17	JEA	A
Bromodichloromethane	1J	ug/m3		1	0.08	TO-15		9/25/10 01:17	JEA	A
Bromoform	2J	ug/m3		2	0.1	TO-15		9/25/10 01:17	JEA	A
Bromomethane	0.9	ug/m3		0.8	0.08	TO-15		9/25/10 01:17	JEA	A
1,3-Butadiene	1	ug/m3		0.4	0.1	TO-15		9/25/10 01:17	JEA	A
n-Butane	0.8	ug/m3		0.5	0.07	TO-15		9/25/10 01:17	JEA	A
2-Butanone	4	ug/m3		0.6	0.05	TO-15		9/25/10 01:17	JEA	A
tert.- Butyl Alcohol	0.9	ug/m3		0.6	0.04	TO-15		9/25/10 01:17	JEA	A



ANALYTICAL RESULTS

Workorder: 9866055 EBE002|BETHPAGE-NY

Lab ID: **9866055001**
Sample ID: **SVE 106I-91610**

Date Collected: 9/16/2010 14:00
Date Received: 9/17/2010 09:20

Matrix: Air

Parameters	Results	Units	Footnotes	RDL	MDL	Method	Prepared	By	Analyzed	By	Cntr
Carbon Disulfide	0.8	ug/m3		0.6	0.04	TO-15			9/25/10 01:17	JEA	A
Carbon Tetrachloride	2	ug/m3		1	0.09	TO-15			9/25/10 01:17	JEA	A
Chlorobenzene	0.8J	ug/m3		0.9	0.07	TO-15			9/25/10 01:17	JEA	A
Chlorodibromomethane	2J	ug/m3		2	0.07	TO-15			9/25/10 01:17	JEA	A
Chloroethane	0.6	ug/m3		0.5	0.05	TO-15			9/25/10 01:17	JEA	A
Chloroform	1	ug/m3		1	0.04	TO-15			9/25/10 01:17	JEA	A
Chloromethane	0.8	ug/m3		0.4	0.04	TO-15			9/25/10 01:17	JEA	A
3-Chloro-1-propene	0.6 U	ug/m3		0.6	0.04	TO-15			9/25/10 01:17	JEA	A
o-Chlorotoluene	0.8J	ug/m3		1	0.09	TO-15			9/25/10 01:17	JEA	A
Cyclohexane	0.5J	ug/m3		0.7	0.04	TO-15			9/25/10 01:17	JEA	A
1,2-Dibromoethane	1J	ug/m3		2	0.08	TO-15			9/25/10 01:17	JEA	A
1,2-Dichlorobenzene	1	ug/m3		1	0.05	TO-15			9/25/10 01:17	JEA	A
1,3-Dichlorobenzene	1J	ug/m3		1	0.09	TO-15			9/25/10 01:17	JEA	A
1,4-Dichlorobenzene	1J	ug/m3		1	0.08	TO-15			9/25/10 01:17	JEA	A
Dichlorodifluoromethane	3	ug/m3		1	0.05	TO-15			9/25/10 01:17	JEA	A
1,1-Dichloroethane	1	ug/m3		0.8	0.06	TO-15			9/25/10 01:17	JEA	A
1,2-Dichloroethane	0.8	ug/m3		0.8	0.07	TO-15			9/25/10 01:17	JEA	A
1,1-Dichloroethene	0.8J	ug/m3		0.8	0.07	TO-15			9/25/10 01:17	JEA	A
cis-1,2-Dichloroethene	4	ug/m3		0.8	0.1	TO-15			9/25/10 01:17	JEA	A
trans-1,2-Dichloroethene	0.9	ug/m3		0.8	0.04	TO-15			9/25/10 01:17	JEA	A
1,2-Dichloropropane	0.9J	ug/m3		0.9	0.07	TO-15			9/25/10 01:17	JEA	A
cis-1,3-Dichloropropene	0.7J	ug/m3		0.9	0.06	TO-15			9/25/10 01:17	JEA	A
trans-1,3-Dichloropropene	0.6J	ug/m3		0.9	0.06	TO-15			9/25/10 01:17	JEA	A
1,3-Dichloropropene, Total	1	ug/m3		0.9	0.1	TO-15			9/25/10 01:17	JEA	A
Diisopropyl ether	0.8J	ug/m3		0.8	0.6	TO-15			9/25/10 01:17	JEA	A
1,4-Dioxane	0.7 U	ug/m3		0.7	0.08	TO-15			9/25/10 01:17	JEA	A
Ethanol	3	ug/m3		0.4	0.2	TO-15			9/25/10 01:17	JEA	A
Ethyl Acetate	0.7J	ug/m3		0.8	0.5	TO-15			9/25/10 01:17	JEA	A
Ethyl tert-butyl ether	0.7J	ug/m3		0.8	0.06	TO-15			9/25/10 01:17	JEA	A
Ethylbenzene	3	ug/m3		0.9	0.04	TO-15			9/25/10 01:17	JEA	A
4-Ethyltoluene	5	ug/m3		1	0.06	TO-15			9/25/10 01:17	JEA	A
Freon 113	4	ug/m3		2	0.1	TO-15			9/25/10 01:17	JEA	A
Freon-114	2	ug/m3		1	0.1	TO-15			9/25/10 01:17	JEA	A
Heptane	0.6J	ug/m3		0.8	0.09	TO-15			9/25/10 01:17	JEA	A
Hexachlorobutadiene	2	ug/m3		2	0.2	TO-15			9/25/10 01:17	JEA	A
Hexane	0.8	ug/m3		0.7	0.05	TO-15			9/25/10 01:17	JEA	A
2-Hexanone	0.7J	ug/m3		0.8	0.05	TO-15			9/25/10 01:17	JEA	A
Isopropyl Alcohol	1	ug/m3		0.5	0.04	TO-15			9/25/10 01:17	JEA	A
Isopropylbenzene	1	ug/m3		1	0.06	TO-15			9/25/10 01:17	JEA	A
p-Isopropyltoluene	2	ug/m3		1	0.08	TO-15			9/25/10 01:17	JEA	A
Methyl Methacrylate	0.6J	ug/m3		0.8	0.06	TO-15			9/25/10 01:17	JEA	A
Methyl t-Butyl Ether	0.6J	ug/m3		0.7	0.04	TO-15			9/25/10 01:17	JEA	A
4-Methyl-2-Pentanone(MIBK)	0.6J	ug/m3		0.8	0.07	TO-15			9/25/10 01:17	JEA	A
Methylene Chloride	2	ug/m3		0.7	0.05	TO-15			9/25/10 01:17	JEA	A
Naphthalene	6	ug/m3		1	0.1	TO-15			9/25/10 01:17	JEA	A
iso-Octane	1	ug/m3		0.9	0.05	TO-15			9/25/10 01:17	JEA	A



ANALYTICAL RESULTS

Workorder: 9866055 EBE002|BETHPAGE-NY

Lab ID: **9866055001**
Sample ID: **SVE 106I-91610**

Date Collected: 9/16/2010 14:00
Date Received: 9/17/2010 09:20

Matrix: Air

Parameters	Results	Units	Footnotes	RDL	MDL	Method	Prepared By	Analyzed	By	Cntr
n-Propylbenzene	3	ug/m3		1	0.07	TO-15		9/25/10 01:17	JEA	A
Propylene	0.3 U	ug/m3		0.3	0.03	TO-15		9/25/10 01:17	JEA	A
Styrene	0.7J	ug/m3		0.9	0.06	TO-15		9/25/10 01:17	JEA	A
1,1,2,2-Tetrachloroethane	1J	ug/m3		1	0.07	TO-15		9/25/10 01:17	JEA	A
Tetrachloroethene	15	ug/m3		1	0.08	TO-15		9/25/10 01:17	JEA	A
Tetrahydrofuran	6	ug/m3		0.6	0.03	TO-15		9/25/10 01:17	JEA	A
Toluene	2	ug/m3		0.8	0.03	TO-15		9/25/10 01:17	JEA	A
Total Xylenes	17	ug/m3		0.9	0.1	TO-15		9/25/10 01:17	JEA	A
1,2,4-Trichlorobenzene	2	ug/m3		1	0.1	TO-15		9/25/10 01:17	JEA	A
1,1,1-Trichloroethane	4	ug/m3		1	0.08	TO-15		9/25/10 01:17	JEA	A
1,1,2-Trichloroethane	1J	ug/m3		1	0.09	TO-15		9/25/10 01:17	JEA	A
Trichloroethene	140	ug/m3		1	0.06	TO-15		9/25/10 01:17	JEA	A
Trichlorofluoromethane	2	ug/m3		1	0.07	TO-15		9/25/10 01:17	JEA	A
1,2,3-Trichloropropane	1J	ug/m3		1	0.1	TO-15		9/25/10 01:17	JEA	A
1,2,4-Trimethylbenzene	29	ug/m3		1	0.06	TO-15		9/25/10 01:17	JEA	A
1,3,5-Trimethylbenzene	6	ug/m3		1	0.07	TO-15		9/25/10 01:17	JEA	A
1,2,3-Trimethylbenzene	9	ug/m3		1	0.05	TO-15		9/25/10 01:17	JEA	A
Vinyl Acetate	1	ug/m3		0.7	0.06	TO-15		9/25/10 01:17	JEA	A
Vinyl Bromide	0.9	ug/m3		0.9	0.07	TO-15		9/25/10 01:17	JEA	A
Vinyl Chloride	0.5	ug/m3		0.5	0.04	TO-15		9/25/10 01:17	JEA	A
o-Xylene	6	ug/m3		0.9	0.05	TO-15		9/25/10 01:17	JEA	A
mp-Xylenes	11	ug/m3		2	0.1	TO-15		9/25/10 01:17	JEA	A
<i>Surrogate Recoveries</i>	<i>Results</i>	<i>Units</i>	<i>Footnotes</i>	<i>Limits</i>		<i>Method</i>	<i>Prepared By</i>	<i>Analyzed</i>	<i>By</i>	<i>Cntr</i>
4-Bromofluorobenzene (S)	106	%		70-130		TO-15		9/25/10 01:17	JEA	A

Sample Comments:

Anna G Milliken
Laboratory Manager



ANALYTICAL RESULTS

Workorder: 9866055 EBE002|BETHPAGE-NY

Lab ID: **9866055002**
Sample ID: **SVE 106D-91610**

Date Collected: 9/16/2010 14:30
Date Received: 9/17/2010 09:20

Matrix: Air

Parameters	Results	Units	Footnotes	RDL	MDL	Method	Prepared By	Analyzed	By	Cntr
VOLATILE ORGANICS @ STP										
Acetone	11	ppbv	49	0.71	0.12	TO-15		9/27/10 23:16	JSS	A
Acrylonitrile	0.71 U	ppbv		0.71	0.057	TO-15		9/27/10 23:16	JSS	A
tert-Amyl methyl ether	0.71 U	ppbv		0.71	0.043	TO-15		9/27/10 23:16	JSS	A
Benzene	0.71 U	ppbv		0.71	0.075	TO-15		9/27/10 23:16	JSS	A
Benzyl Chloride	0.71 U	ppbv		0.71	0.054	TO-15		9/27/10 23:16	JSS	A
Bromodichloromethane	0.71 U	ppbv		0.71	0.043	TO-15		9/27/10 23:16	JSS	A
Bromoform	0.71 U	ppbv		0.71	0.036	TO-15		9/27/10 23:16	JSS	A
Bromomethane	0.71 U	ppbv		0.71	0.075	TO-15		9/27/10 23:16	JSS	A
1,3-Butadiene	0.71 U	ppbv		0.71	0.19	TO-15		9/27/10 23:16	JSS	A
n-Butane	0.71 U	ppbv		0.71	0.11	TO-15		9/27/10 23:16	JSS	A
2-Butanone	2.6	ppbv		0.71	0.061	TO-15		9/27/10 23:16	JSS	A
tert.- Butyl Alcohol	1.2	ppbv		0.71	0.050	TO-15		9/27/10 23:16	JSS	A
Carbon Disulfide	0.71 U	ppbv		0.71	0.046	TO-15		9/27/10 23:16	JSS	A
Carbon Tetrachloride	1.3	ppbv		0.71	0.050	TO-15		9/27/10 23:16	JSS	A
Chlorobenzene	0.71 U	ppbv		0.71	0.057	TO-15		9/27/10 23:16	JSS	A
Chlorodibromomethane	0.71 U	ppbv		0.71	0.029	TO-15		9/27/10 23:16	JSS	A
Chloroethane	0.71 U	ppbv		0.71	0.064	TO-15		9/27/10 23:16	JSS	A
Chloroform	0.71 U	ppbv		0.71	0.029	TO-15		9/27/10 23:16	JSS	A
Chloromethane	1.4	ppbv	50	0.71	0.064	TO-15		9/27/10 23:16	JSS	A
3-Chloro-1-propene	0.71 U	ppbv		0.71	0.050	TO-15		9/27/10 23:16	JSS	A
o-Chlorotoluene	0.71 U	ppbv		0.71	0.061	TO-15		9/27/10 23:16	JSS	A
Cyclohexane	0.71 U	ppbv		0.71	0.039	TO-15		9/27/10 23:16	JSS	A
1,2-Dibromoethane	0.71 U	ppbv		0.71	0.036	TO-15		9/27/10 23:16	JSS	A
1,2-Dichlorobenzene	0.71 U	ppbv		0.71	0.032	TO-15		9/27/10 23:16	JSS	A
1,3-Dichlorobenzene	0.71 U	ppbv		0.71	0.054	TO-15		9/27/10 23:16	JSS	A
1,4-Dichlorobenzene	0.71 U	ppbv		0.71	0.046	TO-15		9/27/10 23:16	JSS	A
Dichlorodifluoromethane	1.3	ppbv	51	0.71	0.039	TO-15		9/27/10 23:16	JSS	A
1,1-Dichloroethane	1.2	ppbv	52	0.71	0.050	TO-15		9/27/10 23:16	JSS	A
1,2-Dichloroethane	0.71 U	ppbv		0.71	0.057	TO-15		9/27/10 23:16	JSS	A
1,1-Dichloroethene	0.71 U	ppbv		0.71	0.061	TO-15		9/27/10 23:16	JSS	A
cis-1,2-Dichloroethene	3.2	ppbv	53	0.71	0.13	TO-15		9/27/10 23:16	JSS	A
trans-1,2-Dichloroethene	0.71 U	ppbv		0.71	0.036	TO-15		9/27/10 23:16	JSS	A
1,2-Dichloropropane	0.71 U	ppbv		0.71	0.057	TO-15		9/27/10 23:16	JSS	A
cis-1,3-Dichloropropene	0.71 U	ppbv		0.71	0.046	TO-15		9/27/10 23:16	JSS	A
trans-1,3-Dichloropropene	0.71 U	ppbv		0.71	0.046	TO-15		9/27/10 23:16	JSS	A
1,3-Dichloropropene, Total	0.71 U	ppbv		0.71	0.36	TO-15		9/27/10 23:16	JSS	A
Diisopropyl ether	0.71 U	ppbv		0.71	0.50	TO-15		9/27/10 23:16	JSS	A
1,4-Dioxane	0.71 U	ppbv		0.71	0.075	TO-15		9/27/10 23:16	JSS	A
Ethanol	4.3	ppbv	54	0.71	0.30	TO-15		9/27/10 23:16	JSS	A
Ethyl Acetate	0.71 U	ppbv		0.71	0.50	TO-15		9/27/10 23:16	JSS	A
Ethyl tert-butyl ether	0.71 U	ppbv		0.71	0.050	TO-15		9/27/10 23:16	JSS	A
Ethylbenzene	1.2	ppbv		0.71	0.032	TO-15		9/27/10 23:16	JSS	A
4-Ethyltoluene	1.2	ppbv		0.71	0.043	TO-15		9/27/10 23:16	JSS	A
Freon 113	0.71 U	ppbv		0.71	0.050	TO-15		9/27/10 23:16	JSS	A
Freon-114	0.71 U	ppbv		0.71	0.068	TO-15		9/27/10 23:16	JSS	A
Heptane	0.71 U	ppbv		0.71	0.075	TO-15		9/27/10 23:16	JSS	A



ANALYTICAL RESULTS

Workorder: 9866055 EBE002|BETHPAGE-NY

Lab ID: **9866055002**
Sample ID: **SVE 106D-91610**

Date Collected: 9/16/2010 14:30
Date Received: 9/17/2010 09:20

Matrix: Air

Parameters	Results	Units	Footnotes	RDL	MDL	Method	Prepared By	Analyzed	By	Cntr
Hexachlorobutadiene	0.71 U	ppbv		0.71	0.068	TO-15		9/27/10 23:16	JSS	A
Hexane	0.89	ppbv		0.71	0.050	TO-15		9/27/10 23:16	JSS	A
2-Hexanone	0.71 U	ppbv		0.71	0.043	TO-15		9/27/10 23:16	JSS	A
Isopropyl Alcohol	1.8	ppbv	55	0.71	0.064	TO-15		9/27/10 23:16	JSS	A
Isopropylbenzene	0.71 U	ppbv		0.71	0.043	TO-15		9/27/10 23:16	JSS	A
p-Isopropyltoluene	0.71 U	ppbv		0.71	0.050	TO-15		9/27/10 23:16	JSS	A
Methyl methacrylate	0.71 U	ppbv		0.71	0.054	TO-15		9/27/10 23:16	JSS	A
Methyl t-Butyl Ether	0.71 U	ppbv		0.71	0.043	TO-15		9/27/10 23:16	JSS	A
4-Methyl-2-Pentanone(MIBK)	0.71 U	ppbv		0.71	0.064	TO-15		9/27/10 23:16	JSS	A
Methylene Chloride	1.3	ppbv	56	0.71	0.046	TO-15		9/27/10 23:16	JSS	A
Naphthalene	1.5	ppbv		0.71	0.096	TO-15		9/27/10 23:16	JSS	A
iso-Octane	0.71 U	ppbv		0.71	0.039	TO-15		9/27/10 23:16	JSS	A
n-Propylbenzene	0.71 U	ppbv		0.71	0.050	TO-15		9/27/10 23:16	JSS	A
Propylene	0.71 U	ppbv		0.71	0.068	TO-15		9/27/10 23:16	JSS	A
Styrene	0.71 U	ppbv		0.71	0.054	TO-15		9/27/10 23:16	JSS	A
1,1,2,2-Tetrachloroethane	0.71 U	ppbv		0.71	0.054	TO-15		9/27/10 23:16	JSS	A
Tetrachloroethene	0.71 U	ppbv		0.71	0.039	TO-15		9/27/10 23:16	JSS	A
Tetrahydrofuran	2.6	ppbv		0.71	0.039	TO-15		9/27/10 23:16	JSS	A
Toluene	1.4	ppbv		0.71	0.032	TO-15		9/27/10 23:16	JSS	A
Total Xylenes	4.8	ppbv		0.71	0.36	TO-15		9/27/10 23:16	JSS	A
1,2,4-Trichlorobenzene	0.71 U	ppbv		0.71	0.068	TO-15		9/27/10 23:16	JSS	A
1,1,1-Trichloroethane	3.7	ppbv		0.71	0.050	TO-15		9/27/10 23:16	JSS	A
1,1,2-Trichloroethane	0.71 U	ppbv		0.71	0.057	TO-15		9/27/10 23:16	JSS	A
Trichloroethene	42	ppbv		0.71	0.039	TO-15		9/27/10 23:16	JSS	A
Trichlorofluoromethane	1.1	ppbv	57	0.71	0.046	TO-15		9/27/10 23:16	JSS	A
1,2,3-Trichloropropane	0.71 U	ppbv		0.71	0.061	TO-15		9/27/10 23:16	JSS	A
1,2,4-Trimethylbenzene	3.5	ppbv		0.71	0.046	TO-15		9/27/10 23:16	JSS	A
1,3,5-Trimethylbenzene	1.3	ppbv		0.71	0.050	TO-15		9/27/10 23:16	JSS	A
1,2,3-Trimethylbenzene	1.6	ppbv		0.71	0.036	TO-15		9/27/10 23:16	JSS	A
Vinyl Acetate	1.3	ppbv		0.71	0.057	TO-15		9/27/10 23:16	JSS	A
Vinyl Bromide	0.71 U	ppbv		0.71	0.057	TO-15		9/27/10 23:16	JSS	A
Vinyl Chloride	0.71 U	ppbv		0.71	0.057	TO-15		9/27/10 23:16	JSS	A
o-Xylene	1.6	ppbv		0.71	0.043	TO-15		9/27/10 23:16	JSS	A
mp-Xylene	3.3	ppbv		1.4	0.079	TO-15		9/27/10 23:16	JSS	A
Acetone	25	ug/m3		2	0.3	TO-15		9/27/10 23:16	JSS	A
Acrylonitrile	2 U	ug/m3		2	0.1	TO-15		9/27/10 23:16	JSS	A
tert-Amyl methyl ether	3 U	ug/m3		3	0.2	TO-15		9/27/10 23:16	JSS	A
Benzene	2 U	ug/m3		2	0.2	TO-15		9/27/10 23:16	JSS	A
Benzyl Chloride	4 U	ug/m3		4	0.3	TO-15		9/27/10 23:16	JSS	A
Bromodichloromethane	5 U	ug/m3		5	0.3	TO-15		9/27/10 23:16	JSS	A
Bromoform	7 U	ug/m3		7	0.4	TO-15		9/27/10 23:16	JSS	A
Bromomethane	3 U	ug/m3		3	0.3	TO-15		9/27/10 23:16	JSS	A
1,3-Butadiene	2 U	ug/m3		2	0.4	TO-15		9/27/10 23:16	JSS	A
n-Butane	2 U	ug/m3		2	0.3	TO-15		9/27/10 23:16	JSS	A
2-Butanone	8	ug/m3		2	0.2	TO-15		9/27/10 23:16	JSS	A
tert.- Butyl Alcohol	4	ug/m3		2	0.1	TO-15		9/27/10 23:16	JSS	A



ANALYTICAL RESULTS

Workorder: 9866055 EBE002|BETHPAGE-NY

Lab ID: **9866055002**
Sample ID: **SVE 106D-91610**

Date Collected: 9/16/2010 14:30
Date Received: 9/17/2010 09:20

Matrix: Air

Parameters	Results	Units	Footnotes	RDL	MDL	Method	Prepared	By	Analyzed	By	Cntr
Carbon Disulfide	2 U	ug/m3		2	0.1	TO-15			9/27/10 23:16	JSS	A
Carbon Tetrachloride	8	ug/m3		4	0.3	TO-15			9/27/10 23:16	JSS	A
Chlorobenzene	3 U	ug/m3		3	0.3	TO-15			9/27/10 23:16	JSS	A
Chlorodibromomethane	6 U	ug/m3		6	0.2	TO-15			9/27/10 23:16	JSS	A
Chloroethane	2 U	ug/m3		2	0.2	TO-15			9/27/10 23:16	JSS	A
Chloroform	3 U	ug/m3		3	0.1	TO-15			9/27/10 23:16	JSS	A
Chloromethane	3	ug/m3		1	0.1	TO-15			9/27/10 23:16	JSS	A
3-Chloro-1-propene	2 U	ug/m3		2	0.2	TO-15			9/27/10 23:16	JSS	A
o-Chlorotoluene	4 U	ug/m3		4	0.3	TO-15			9/27/10 23:16	JSS	A
Cyclohexane	2 U	ug/m3		2	0.1	TO-15			9/27/10 23:16	JSS	A
1,2-Dibromoethane	5 U	ug/m3		5	0.3	TO-15			9/27/10 23:16	JSS	A
1,2-Dichlorobenzene	4 U	ug/m3		4	0.2	TO-15			9/27/10 23:16	JSS	A
1,3-Dichlorobenzene	4 U	ug/m3		4	0.3	TO-15			9/27/10 23:16	JSS	A
1,4-Dichlorobenzene	4 U	ug/m3		4	0.3	TO-15			9/27/10 23:16	JSS	A
Dichlorodifluoromethane	6	ug/m3		4	0.2	TO-15			9/27/10 23:16	JSS	A
1,1-Dichloroethane	5	ug/m3		3	0.2	TO-15			9/27/10 23:16	JSS	A
1,2-Dichloroethane	3 U	ug/m3		3	0.2	TO-15			9/27/10 23:16	JSS	A
1,1-Dichloroethene	3 U	ug/m3		3	0.2	TO-15			9/27/10 23:16	JSS	A
cis-1,2-Dichloroethene	13	ug/m3		3	0.5	TO-15			9/27/10 23:16	JSS	A
trans-1,2-Dichloroethene	3 U	ug/m3		3	0.1	TO-15			9/27/10 23:16	JSS	A
1,2-Dichloropropane	3 U	ug/m3		3	0.3	TO-15			9/27/10 23:16	JSS	A
cis-1,3-Dichloropropene	3 U	ug/m3		3	0.2	TO-15			9/27/10 23:16	JSS	A
trans-1,3-Dichloropropene	3 U	ug/m3		3	0.2	TO-15			9/27/10 23:16	JSS	A
1,3-Dichloropropene, Total	3 U	ug/m3		3	0.4	TO-15			9/27/10 23:16	JSS	A
Diisopropyl ether	3 U	ug/m3		3	2	TO-15			9/27/10 23:16	JSS	A
1,4-Dioxane	3 U	ug/m3		3	0.3	TO-15			9/27/10 23:16	JSS	A
Ethanol	8	ug/m3		1	0.6	TO-15			9/27/10 23:16	JSS	A
Ethyl Acetate	3 U	ug/m3		3	2	TO-15			9/27/10 23:16	JSS	A
Ethyl tert-butyl ether	3 U	ug/m3		3	0.2	TO-15			9/27/10 23:16	JSS	A
Ethylbenzene	5	ug/m3		3	0.1	TO-15			9/27/10 23:16	JSS	A
4-Ethyltoluene	6	ug/m3		3	0.2	TO-15			9/27/10 23:16	JSS	A
Freon 113	5 U	ug/m3		5	0.4	TO-15			9/27/10 23:16	JSS	A
Freon-114	5 U	ug/m3		5	0.5	TO-15			9/27/10 23:16	JSS	A
Heptane	3 U	ug/m3		3	0.3	TO-15			9/27/10 23:16	JSS	A
Hexachlorobutadiene	8 U	ug/m3		8	0.7	TO-15			9/27/10 23:16	JSS	A
Hexane	3	ug/m3		2	0.2	TO-15			9/27/10 23:16	JSS	A
2-Hexanone	3 U	ug/m3		3	0.2	TO-15			9/27/10 23:16	JSS	A
Isopropyl Alcohol	5	ug/m3		2	0.2	TO-15			9/27/10 23:16	JSS	A
Isopropylbenzene	3 U	ug/m3		3	0.2	TO-15			9/27/10 23:16	JSS	A
p-Isopropyltoluene	4 U	ug/m3		4	0.3	TO-15			9/27/10 23:16	JSS	A
Methyl Methacrylate	3 U	ug/m3		3	0.2	TO-15			9/27/10 23:16	JSS	A
Methyl t-Butyl Ether	3 U	ug/m3		3	0.2	TO-15			9/27/10 23:16	JSS	A
4-Methyl-2-Pentanone(MIBK)	3 U	ug/m3		3	0.3	TO-15			9/27/10 23:16	JSS	A
Methylene Chloride	4	ug/m3		2	0.2	TO-15			9/27/10 23:16	JSS	A
Naphthalene	8	ug/m3		4	0.5	TO-15			9/27/10 23:16	JSS	A
iso-Octane	3 U	ug/m3		3	0.2	TO-15			9/27/10 23:16	JSS	A



ANALYTICAL RESULTS

Workorder: 9866055 EBE002|BETHPAGE-NY

Lab ID: **9866055002**
Sample ID: **SVE 106D-91610**

Date Collected: 9/16/2010 14:30
Date Received: 9/17/2010 09:20

Matrix: Air

Parameters	Results	Units	Footnotes	RDL	MDL	Method	Prepared By	Analyzed	By	Cntr
n-Propylbenzene	3 U	ug/m3		3	0.2	TO-15		9/27/10 23:16	JSS	A
Propylene	1 U	ug/m3		1	0.1	TO-15		9/27/10 23:16	JSS	A
Styrene	3 U	ug/m3		3	0.2	TO-15		9/27/10 23:16	JSS	A
1,1,2,2-Tetrachloroethane	5 U	ug/m3		5	0.2	TO-15		9/27/10 23:16	JSS	A
Tetrachloroethene	5 U	ug/m3		5	0.3	TO-15		9/27/10 23:16	JSS	A
Tetrahydrofuran	8	ug/m3		2	0.1	TO-15		9/27/10 23:16	JSS	A
Toluene	5	ug/m3		3	0.1	TO-15		9/27/10 23:16	JSS	A
Total Xylenes	21	ug/m3		3	0.4	TO-15		9/27/10 23:16	JSS	A
1,2,4-Trichlorobenzene	5 U	ug/m3		5	0.5	TO-15		9/27/10 23:16	JSS	A
1,1,1-Trichloroethane	20	ug/m3		4	0.3	TO-15		9/27/10 23:16	JSS	A
1,1,2-Trichloroethane	4 U	ug/m3		4	0.3	TO-15		9/27/10 23:16	JSS	A
Trichloroethene	230	ug/m3		4	0.2	TO-15		9/27/10 23:16	JSS	A
Trichlorofluoromethane	6	ug/m3		4	0.3	TO-15		9/27/10 23:16	JSS	A
1,2,3-Trichloropropane	4 U	ug/m3		4	0.4	TO-15		9/27/10 23:16	JSS	A
1,2,4-Trimethylbenzene	17	ug/m3		3	0.2	TO-15		9/27/10 23:16	JSS	A
1,3,5-Trimethylbenzene	6	ug/m3		3	0.2	TO-15		9/27/10 23:16	JSS	A
1,2,3-Trimethylbenzene	8	ug/m3		3	0.2	TO-15		9/27/10 23:16	JSS	A
Vinyl Acetate	4	ug/m3		2	0.2	TO-15		9/27/10 23:16	JSS	A
Vinyl Bromide	3 U	ug/m3		3	0.2	TO-15		9/27/10 23:16	JSS	A
Vinyl Chloride	2 U	ug/m3		2	0.1	TO-15		9/27/10 23:16	JSS	A
o-Xylene	7	ug/m3		3	0.2	TO-15		9/27/10 23:16	JSS	A
mp-Xylenes	14	ug/m3		6	0.3	TO-15		9/27/10 23:16	JSS	A
<i>Surrogate Recoveries</i>	<i>Results</i>	<i>Units</i>	<i>Footnotes</i>	<i>Limits</i>		<i>Method</i>	<i>Prepared By</i>	<i>Analyzed</i>	<i>By</i>	<i>Cntr</i>
4-Bromofluorobenzene (S)	103	%		70-130		TO-15		9/27/10 23:16	JSS	A

Sample Comments:

This sample was run at a 3.57x dilution due to insufficient volume of sample submitted. JSS 9/29/10


Anna G Milliken
Laboratory Manager



ANALYTICAL RESULTS

Workorder: 9866055 EBE002|BETHPAGE-NY

Lab ID: **9866055003**
Sample ID: **SVE TI-91610-01**

Date Collected: 9/16/2010 16:30
Date Received: 9/17/2010 09:20

Matrix: Air

Parameters	Results	Units	Footnotes	RDL	MDL	Method	Prepared By	Analyzed	By	Cntr
VOLATILE ORGANICS @ STP										
Acetone	6.3	ppbv	49	0.21	0.036	TO-15		9/28/10 00:46	JSS	A
Acrylonitrile	0.21 U	ppbv		0.21	0.017	TO-15		9/28/10 00:46	JSS	A
tert-Amyl methyl ether	0.21 U	ppbv		0.21	0.013	TO-15		9/28/10 00:46	JSS	A
Benzene	0.33	ppbv		0.21	0.022	TO-15		9/28/10 00:46	JSS	A
Benzyl Chloride	0.21 U	ppbv		0.21	0.016	TO-15		9/28/10 00:46	JSS	A
Bromodichloromethane	0.21 U	ppbv		0.21	0.013	TO-15		9/28/10 00:46	JSS	A
Bromoform	0.21 U	ppbv		0.21	0.011	TO-15		9/28/10 00:46	JSS	A
Bromomethane	0.21 U	ppbv		0.21	0.022	TO-15		9/28/10 00:46	JSS	A
1,3-Butadiene	0.21 U	ppbv		0.21	0.057	TO-15		9/28/10 00:46	JSS	A
n-Butane	0.42	ppbv		0.21	0.032	TO-15		9/28/10 00:46	JSS	A
2-Butanone	2.2	ppbv		0.21	0.018	TO-15		9/28/10 00:46	JSS	A
tert.- Butyl Alcohol	0.32	ppbv		0.21	0.015	TO-15		9/28/10 00:46	JSS	A
Carbon Disulfide	0.35	ppbv		0.21	0.014	TO-15		9/28/10 00:46	JSS	A
Carbon Tetrachloride	0.44	ppbv		0.21	0.015	TO-15		9/28/10 00:46	JSS	A
Chlorobenzene	0.21 U	ppbv		0.21	0.017	TO-15		9/28/10 00:46	JSS	A
Chlorodibromomethane	0.21 U	ppbv		0.21	0.0086	TO-15		9/28/10 00:46	JSS	A
Chloroethane	0.21 U	ppbv		0.21	0.019	TO-15		9/28/10 00:46	JSS	A
Chloroform	1.0	ppbv		0.21	0.0086	TO-15		9/28/10 00:46	JSS	A
Chloromethane	0.37	ppbv	50	0.21	0.019	TO-15		9/28/10 00:46	JSS	A
3-Chloro-1-propene	0.21 U	ppbv		0.21	0.015	TO-15		9/28/10 00:46	JSS	A
o-Chlorotoluene	0.21 U	ppbv		0.21	0.018	TO-15		9/28/10 00:46	JSS	A
Cyclohexane	0.21 U	ppbv		0.21	0.012	TO-15		9/28/10 00:46	JSS	A
1,2-Dibromoethane	0.21 U	ppbv		0.21	0.011	TO-15		9/28/10 00:46	JSS	A
1,2-Dichlorobenzene	0.21 U	ppbv		0.21	0.0096	TO-15		9/28/10 00:46	JSS	A
1,3-Dichlorobenzene	0.21 U	ppbv		0.21	0.016	TO-15		9/28/10 00:46	JSS	A
1,4-Dichlorobenzene	0.21 U	ppbv		0.21	0.014	TO-15		9/28/10 00:46	JSS	A
Dichlorodifluoromethane	0.69	ppbv	51	0.21	0.012	TO-15		9/28/10 00:46	JSS	A
1,1-Dichloroethane	14	ppbv	52	0.21	0.015	TO-15		9/28/10 00:46	JSS	A
1,2-Dichloroethane	0.51	ppbv	58	0.21	0.017	TO-15		9/28/10 00:46	JSS	A
1,1-Dichloroethene	0.67	ppbv		0.21	0.018	TO-15		9/28/10 00:46	JSS	A
cis-1,2-Dichloroethene	60	ppbv	53	2.0	0.36	TO-15		9/28/10 00:01	JSS	A
trans-1,2-Dichloroethene	1.2	ppbv		0.21	0.011	TO-15		9/28/10 00:46	JSS	A
1,2-Dichloropropane	0.21 U	ppbv		0.21	0.017	TO-15		9/28/10 00:46	JSS	A
cis-1,3-Dichloropropene	0.21 U	ppbv		0.21	0.014	TO-15		9/28/10 00:46	JSS	A
trans-1,3-Dichloropropene	0.21 U	ppbv		0.21	0.014	TO-15		9/28/10 00:46	JSS	A
1,3-Dichloropropene, Total	0.21 U	ppbv		0.21	0.11	TO-15		9/28/10 00:46	JSS	A
Diisopropyl ether	0.21 U	ppbv		0.21	0.15	TO-15		9/28/10 00:46	JSS	A
1,4-Dioxane	0.21 U	ppbv		0.21	0.022	TO-15		9/28/10 00:46	JSS	A
Ethanol	1.7	ppbv	54	0.21	0.089	TO-15		9/28/10 00:46	JSS	A
Ethyl Acetate	0.21 U	ppbv		0.21	0.15	TO-15		9/28/10 00:46	JSS	A
Ethyl tert-butyl ether	0.21 U	ppbv		0.21	0.015	TO-15		9/28/10 00:46	JSS	A
Ethylbenzene	0.21 U	ppbv		0.21	0.0096	TO-15		9/28/10 00:46	JSS	A
4-Ethyltoluene	0.21 U	ppbv		0.21	0.013	TO-15		9/28/10 00:46	JSS	A
Freon 113	22	ppbv		0.21	0.015	TO-15		9/28/10 00:46	JSS	A
Freon-114	0.21 U	ppbv		0.21	0.020	TO-15		9/28/10 00:46	JSS	A
Heptane	0.21 U	ppbv		0.21	0.022	TO-15		9/28/10 00:46	JSS	A



ANALYTICAL RESULTS

Workorder: 9866055 EBE002|BETHPAGE-NY

Lab ID: **9866055003**
Sample ID: **SVE TI-91610-01**

Date Collected: 9/16/2010 16:30
Date Received: 9/17/2010 09:20

Matrix: Air

Parameters	Results	Units	Footnotes	RDL	MDL	Method	Prepared By	Analyzed	By	Cntr
Hexachlorobutadiene	0.21 U	ppbv		0.21	0.020	TO-15		9/28/10 00:46	JSS	A
Hexane	0.34	ppbv		0.21	0.015	TO-15		9/28/10 00:46	JSS	A
2-Hexanone	0.53	ppbv		0.21	0.013	TO-15		9/28/10 00:46	JSS	A
Isopropyl Alcohol	0.58	ppbv	55	0.21	0.019	TO-15		9/28/10 00:46	JSS	A
Isopropylbenzene	10	ppbv		0.21	0.013	TO-15		9/28/10 00:46	JSS	A
p-Isopropyltoluene	0.21 U	ppbv		0.21	0.015	TO-15		9/28/10 00:46	JSS	A
Methyl methacrylate	0.38	ppbv		0.21	0.016	TO-15		9/28/10 00:46	JSS	A
Methyl t-Butyl Ether	0.21 U	ppbv		0.21	0.013	TO-15		9/28/10 00:46	JSS	A
4-Methyl-2-Pentanone(MIBK)	0.37	ppbv		0.21	0.019	TO-15		9/28/10 00:46	JSS	A
Methylene Chloride	0.57	ppbv	56	0.21	0.014	TO-15		9/28/10 00:46	JSS	A
Naphthalene	0.21 U	ppbv		0.21	0.029	TO-15		9/28/10 00:46	JSS	A
iso-Octane	0.21 U	ppbv		0.21	0.012	TO-15		9/28/10 00:46	JSS	A
n-Propylbenzene	0.21 U	ppbv		0.21	0.015	TO-15		9/28/10 00:46	JSS	A
Propylene	0.21 U	ppbv		0.21	0.020	TO-15		9/28/10 00:46	JSS	A
Styrene	0.21 U	ppbv		0.21	0.016	TO-15		9/28/10 00:46	JSS	A
1,1,2,2-Tetrachloroethane	0.21 U	ppbv		0.21	0.016	TO-15		9/28/10 00:46	JSS	A
Tetrachloroethene	170	ppbv		2.0	0.11	TO-15		9/28/10 00:01	JSS	A
Tetrahydrofuran	6.1	ppbv		0.21	0.012	TO-15		9/28/10 00:46	JSS	A
Toluene	0.44	ppbv		0.21	0.0096	TO-15		9/28/10 00:46	JSS	A
Total Xylenes	0.21 U	ppbv		0.21	0.11	TO-15		9/28/10 00:46	JSS	A
1,2,4-Trichlorobenzene	0.21 U	ppbv		0.21	0.020	TO-15		9/28/10 00:46	JSS	A
1,1,1-Trichloroethane	47	ppbv		2.0	0.14	TO-15		9/28/10 00:01	JSS	A
1,1,2-Trichloroethane	0.46	ppbv		0.21	0.017	TO-15		9/28/10 00:46	JSS	A
Trichloroethene	150	ppbv		2.0	0.11	TO-15		9/28/10 00:01	JSS	A
Trichlorofluoromethane	0.52	ppbv	57	0.21	0.014	TO-15		9/28/10 00:46	JSS	A
1,2,3-Trichloropropane	0.21 U	ppbv		0.21	0.018	TO-15		9/28/10 00:46	JSS	A
1,2,4-Trimethylbenzene	0.21 U	ppbv		0.21	0.014	TO-15		9/28/10 00:46	JSS	A
1,3,5-Trimethylbenzene	0.21 U	ppbv		0.21	0.015	TO-15		9/28/10 00:46	JSS	A
1,2,3-Trimethylbenzene	0.21 U	ppbv		0.21	0.011	TO-15		9/28/10 00:46	JSS	A
Vinyl Acetate	0.49	ppbv		0.21	0.017	TO-15		9/28/10 00:46	JSS	A
Vinyl Bromide	0.21 U	ppbv		0.21	0.017	TO-15		9/28/10 00:46	JSS	A
Vinyl Chloride	0.40	ppbv		0.21	0.017	TO-15		9/28/10 00:46	JSS	A
o-Xylene	0.21 U	ppbv		0.21	0.013	TO-15		9/28/10 00:46	JSS	A
mp-Xylene	0.43 U	ppbv		0.43	0.024	TO-15		9/28/10 00:46	JSS	A
Acetone	15	ug/m3		0.5	0.09	TO-15		9/28/10 00:46	JSS	A
Acrylonitrile	0.5 U	ug/m3		0.5	0.04	TO-15		9/28/10 00:46	JSS	A
tert-Amyl methyl ether	0.9 U	ug/m3		0.9	0.05	TO-15		9/28/10 00:46	JSS	A
Benzene	1	ug/m3		0.7	0.07	TO-15		9/28/10 00:46	JSS	A
Benzyl Chloride	1 U	ug/m3		1	0.08	TO-15		9/28/10 00:46	JSS	A
Bromodichloromethane	1 U	ug/m3		1	0.09	TO-15		9/28/10 00:46	JSS	A
Bromoform	2 U	ug/m3		2	0.1	TO-15		9/28/10 00:46	JSS	A
Bromomethane	0.8 U	ug/m3		0.8	0.09	TO-15		9/28/10 00:46	JSS	A
1,3-Butadiene	0.5 U	ug/m3		0.5	0.1	TO-15		9/28/10 00:46	JSS	A
n-Butane	1	ug/m3		0.5	0.08	TO-15		9/28/10 00:46	JSS	A
2-Butanone	6	ug/m3		0.6	0.05	TO-15		9/28/10 00:46	JSS	A
tert.- Butyl Alcohol	1	ug/m3		0.7	0.04	TO-15		9/28/10 00:46	JSS	A



ANALYTICAL RESULTS

Workorder: 9866055 EBE002|BETHPAGE-NY

Lab ID: **9866055003**
Sample ID: **SVE TI-91610-01**

Date Collected: 9/16/2010 16:30
Date Received: 9/17/2010 09:20

Matrix: Air

Parameters	Results	Units	Footnotes	RDL	MDL	Method	Prepared By	Analyzed	By	Cntr
Carbon Disulfide	1	ug/m3		0.7	0.04	TO-15		9/28/10 00:46	JSS	A
Carbon Tetrachloride	3	ug/m3		1	0.09	TO-15		9/28/10 00:46	JSS	A
Chlorobenzene	1 U	ug/m3		1	0.08	TO-15		9/28/10 00:46	JSS	A
Chlorodibromomethane	2 U	ug/m3		2	0.07	TO-15		9/28/10 00:46	JSS	A
Chloroethane	0.6 U	ug/m3		0.6	0.05	TO-15		9/28/10 00:46	JSS	A
Chloroform	5	ug/m3		1	0.04	TO-15		9/28/10 00:46	JSS	A
Chloromethane	0.8	ug/m3		0.4	0.04	TO-15		9/28/10 00:46	JSS	A
3-Chloro-1-propene	0.7 U	ug/m3		0.7	0.05	TO-15		9/28/10 00:46	JSS	A
o-Chlorotoluene	1 U	ug/m3		1	0.09	TO-15		9/28/10 00:46	JSS	A
Cyclohexane	0.7 U	ug/m3		0.7	0.04	TO-15		9/28/10 00:46	JSS	A
1,2-Dibromoethane	2 U	ug/m3		2	0.08	TO-15		9/28/10 00:46	JSS	A
1,2-Dichlorobenzene	1 U	ug/m3		1	0.06	TO-15		9/28/10 00:46	JSS	A
1,3-Dichlorobenzene	1 U	ug/m3		1	0.1	TO-15		9/28/10 00:46	JSS	A
1,4-Dichlorobenzene	1 U	ug/m3		1	0.08	TO-15		9/28/10 00:46	JSS	A
Dichlorodifluoromethane	3	ug/m3		1	0.06	TO-15		9/28/10 00:46	JSS	A
1,1-Dichloroethane	56	ug/m3		0.9	0.06	TO-15		9/28/10 00:46	JSS	A
1,2-Dichloroethane	2	ug/m3		0.9	0.07	TO-15		9/28/10 00:46	JSS	A
1,1-Dichloroethene	3	ug/m3		0.8	0.07	TO-15		9/28/10 00:46	JSS	A
cis-1,2-Dichloroethene	240	ug/m3		8	1	TO-15		9/28/10 00:01	JSS	A
trans-1,2-Dichloroethene	5	ug/m3		0.8	0.04	TO-15		9/28/10 00:46	JSS	A
1,2-Dichloropropane	1 U	ug/m3		1	0.08	TO-15		9/28/10 00:46	JSS	A
cis-1,3-Dichloropropene	1 U	ug/m3		1	0.06	TO-15		9/28/10 00:46	JSS	A
trans-1,3-Dichloropropene	1 U	ug/m3		1	0.06	TO-15		9/28/10 00:46	JSS	A
1,3-Dichloropropene, Total	1 U	ug/m3		1	0.1	TO-15		9/28/10 00:46	JSS	A
Diisopropyl ether	0.9 U	ug/m3		0.9	0.6	TO-15		9/28/10 00:46	JSS	A
1,4-Dioxane	0.8 U	ug/m3		0.8	0.08	TO-15		9/28/10 00:46	JSS	A
Ethanol	3	ug/m3		0.4	0.2	TO-15		9/28/10 00:46	JSS	A
Ethyl Acetate	0.8 U	ug/m3		0.8	0.5	TO-15		9/28/10 00:46	JSS	A
Ethyl tert-butyl ether	0.9 U	ug/m3		0.9	0.06	TO-15		9/28/10 00:46	JSS	A
Ethylbenzene	0.9 U	ug/m3		0.9	0.04	TO-15		9/28/10 00:46	JSS	A
4-Ethyltoluene	1 U	ug/m3		1	0.06	TO-15		9/28/10 00:46	JSS	A
Freon 113	170	ug/m3		2	0.1	TO-15		9/28/10 00:46	JSS	A
Freon-114	1 U	ug/m3		1	0.1	TO-15		9/28/10 00:46	JSS	A
Heptane	0.9 U	ug/m3		0.9	0.09	TO-15		9/28/10 00:46	JSS	A
Hexachlorobutadiene	2 U	ug/m3		2	0.2	TO-15		9/28/10 00:46	JSS	A
Hexane	1	ug/m3		0.7	0.05	TO-15		9/28/10 00:46	JSS	A
2-Hexanone	2	ug/m3		0.9	0.05	TO-15		9/28/10 00:46	JSS	A
Isopropyl Alcohol	1	ug/m3		0.5	0.05	TO-15		9/28/10 00:46	JSS	A
Isopropylbenzene	50	ug/m3		1	0.06	TO-15		9/28/10 00:46	JSS	A
p-Isopropyltoluene	1 U	ug/m3		1	0.08	TO-15		9/28/10 00:46	JSS	A
Methyl Methacrylate	2	ug/m3		0.9	0.07	TO-15		9/28/10 00:46	JSS	A
Methyl t-Butyl Ether	0.8 U	ug/m3		0.8	0.05	TO-15		9/28/10 00:46	JSS	A
4-Methyl-2-Pentanone(MIBK)	2	ug/m3		0.9	0.08	TO-15		9/28/10 00:46	JSS	A
Methylene Chloride	2	ug/m3		0.7	0.05	TO-15		9/28/10 00:46	JSS	A
Naphthalene	1 U	ug/m3		1	0.2	TO-15		9/28/10 00:46	JSS	A
iso-Octane	1 U	ug/m3		1	0.05	TO-15		9/28/10 00:46	JSS	A



ANALYTICAL RESULTS

Workorder: 9866055 EBE002|BETHPAGE-NY

Lab ID: **9866055003**
Sample ID: **SVE TI-91610-01**

Date Collected: 9/16/2010 16:30
Date Received: 9/17/2010 09:20

Matrix: Air

Parameters	Results	Units	Footnotes	RDL	MDL	Method	Prepared	By	Analyzed	By	Cntr
n-Propylbenzene	1 U	ug/m3		1	0.07	TO-15			9/28/10 00:46	JSS	A
Propylene	0.4 U	ug/m3		0.4	0.04	TO-15			9/28/10 00:46	JSS	A
Styrene	0.9 U	ug/m3		0.9	0.07	TO-15			9/28/10 00:46	JSS	A
1,1,2,2-Tetrachloroethane	1 U	ug/m3		1	0.07	TO-15			9/28/10 00:46	JSS	A
Tetrachloroethene	1200	ug/m3		14	0.8	TO-15			9/28/10 00:01	JSS	A
Tetrahydrofuran	18	ug/m3		0.6	0.03	TO-15			9/28/10 00:46	JSS	A
Toluene	2	ug/m3		0.8	0.04	TO-15			9/28/10 00:46	JSS	A
Total Xylenes	0.9 U	ug/m3		0.9	0.1	TO-15			9/28/10 00:46	JSS	A
1,2,4-Trichlorobenzene	2 U	ug/m3		2	0.2	TO-15			9/28/10 00:46	JSS	A
1,1,1-Trichloroethane	260	ug/m3		11	0.8	TO-15			9/28/10 00:01	JSS	A
1,1,2-Trichloroethane	3	ug/m3		1	0.09	TO-15			9/28/10 00:46	JSS	A
Trichloroethene	780	ug/m3		11	0.6	TO-15			9/28/10 00:01	JSS	A
Trichlorofluoromethane	3	ug/m3		1	0.08	TO-15			9/28/10 00:46	JSS	A
1,2,3-Trichloropropane	1 U	ug/m3		1	0.1	TO-15			9/28/10 00:46	JSS	A
1,2,4-Trimethylbenzene	1 U	ug/m3		1	0.07	TO-15			9/28/10 00:46	JSS	A
1,3,5-Trimethylbenzene	1 U	ug/m3		1	0.07	TO-15			9/28/10 00:46	JSS	A
1,2,3-Trimethylbenzene	1 U	ug/m3		1	0.05	TO-15			9/28/10 00:46	JSS	A
Vinyl Acetate	2	ug/m3		0.7	0.06	TO-15			9/28/10 00:46	JSS	A
Vinyl Bromide	0.9 U	ug/m3		0.9	0.07	TO-15			9/28/10 00:46	JSS	A
Vinyl Chloride	1	ug/m3		0.5	0.04	TO-15			9/28/10 00:46	JSS	A
o-Xylene	0.9 U	ug/m3		0.9	0.06	TO-15			9/28/10 00:46	JSS	A
mp-Xylenes	2 U	ug/m3		2	0.1	TO-15			9/28/10 00:46	JSS	A
<i>Surrogate Recoveries</i>	<i>Results</i>	<i>Units</i>	<i>Footnotes</i>	<i>Limits</i>		<i>Method</i>	<i>Prepared</i>	<i>By</i>	<i>Analyzed</i>	<i>By</i>	<i>Cntr</i>
4-Bromofluorobenzene (S)	102	%		70-130		TO-15			9/28/10 00:01	JSS	A
4-Bromofluorobenzene (S)	102	%		70-130		TO-15			9/28/10 00:46	JSS	A

Sample Comments:

This sample was run at a 1.07x dilution due to insufficient volume of sample submitted. JSS 9/29/10.

Anna G Milliken
Laboratory Manager



ANALYTICAL RESULTS

Workorder: 9866055 EBE002|BETHPAGE-NY

Lab ID: **9866055004**
Sample ID: **SVE TE-91610**

Date Collected: 9/16/2010 16:30
Date Received: 9/17/2010 09:20

Matrix: Air

Parameters	Results	Units	Footnotes	RDL	MDL	Method	Prepared By	Analyzed	By	Cntr
VOLATILE ORGANICS @ STP										
Acetone	8.7	ppbv	49	0.28	0.047	TO-15		9/28/10 04:28	JSS	A
Acrylonitrile	0.28 U	ppbv		0.28	0.022	TO-15		9/28/10 04:28	JSS	A
tert-Amyl methyl ether	0.28 U	ppbv		0.28	0.017	TO-15		9/28/10 04:28	JSS	A
Benzene	0.28 U	ppbv		0.28	0.029	TO-15		9/28/10 04:28	JSS	A
Benzyl Chloride	0.28 U	ppbv		0.28	0.021	TO-15		9/28/10 04:28	JSS	A
Bromodichloromethane	0.28 U	ppbv		0.28	0.017	TO-15		9/28/10 04:28	JSS	A
Bromoform	0.28 U	ppbv		0.28	0.014	TO-15		9/28/10 04:28	JSS	A
Bromomethane	0.28 U	ppbv		0.28	0.029	TO-15		9/28/10 04:28	JSS	A
1,3-Butadiene	0.28 U	ppbv		0.28	0.073	TO-15		9/28/10 04:28	JSS	A
n-Butane	0.83	ppbv		0.28	0.041	TO-15		9/28/10 04:28	JSS	A
2-Butanone	1.4	ppbv		0.28	0.023	TO-15		9/28/10 04:28	JSS	A
tert.- Butyl Alcohol	0.28 U	ppbv		0.28	0.019	TO-15		9/28/10 04:28	JSS	A
Carbon Disulfide	0.28 U	ppbv		0.28	0.018	TO-15		9/28/10 04:28	JSS	A
Carbon Tetrachloride	0.28 U	ppbv		0.28	0.019	TO-15		9/28/10 04:28	JSS	A
Chlorobenzene	0.28 U	ppbv		0.28	0.022	TO-15		9/28/10 04:28	JSS	A
Chlorodibromomethane	0.28 U	ppbv		0.28	0.011	TO-15		9/28/10 04:28	JSS	A
Chloroethane	0.28 U	ppbv		0.28	0.025	TO-15		9/28/10 04:28	JSS	A
Chloroform	0.42	ppbv		0.28	0.011	TO-15		9/28/10 04:28	JSS	A
Chloromethane	0.45	ppbv	50	0.28	0.025	TO-15		9/28/10 04:28	JSS	A
3-Chloro-1-propene	0.28 U	ppbv		0.28	0.019	TO-15		9/28/10 04:28	JSS	A
o-Chlorotoluene	0.28 U	ppbv		0.28	0.023	TO-15		9/28/10 04:28	JSS	A
Cyclohexane	0.28 U	ppbv		0.28	0.015	TO-15		9/28/10 04:28	JSS	A
1,2-Dibromoethane	0.28 U	ppbv		0.28	0.014	TO-15		9/28/10 04:28	JSS	A
1,2-Dichlorobenzene	0.28 U	ppbv		0.28	0.012	TO-15		9/28/10 04:28	JSS	A
1,3-Dichlorobenzene	0.28 U	ppbv		0.28	0.021	TO-15		9/28/10 04:28	JSS	A
1,4-Dichlorobenzene	0.28 U	ppbv		0.28	0.018	TO-15		9/28/10 04:28	JSS	A
Dichlorodifluoromethane	0.78	ppbv	51	0.28	0.015	TO-15		9/28/10 04:28	JSS	A
1,1-Dichloroethane	5.4	ppbv	52	0.28	0.019	TO-15		9/28/10 04:28	JSS	A
1,2-Dichloroethane	0.28 U	ppbv		0.28	0.022	TO-15		9/28/10 04:28	JSS	A
1,1-Dichloroethene	1.9	ppbv		0.28	0.023	TO-15		9/28/10 04:28	JSS	A
cis-1,2-Dichloroethene	6.6	ppbv	53	0.28	0.050	TO-15		9/28/10 04:28	JSS	A
trans-1,2-Dichloroethene	0.48	ppbv		0.28	0.014	TO-15		9/28/10 04:28	JSS	A
1,2-Dichloropropane	0.28 U	ppbv		0.28	0.022	TO-15		9/28/10 04:28	JSS	A
cis-1,3-Dichloropropene	0.28 U	ppbv		0.28	0.018	TO-15		9/28/10 04:28	JSS	A
trans-1,3-Dichloropropene	0.28 U	ppbv		0.28	0.018	TO-15		9/28/10 04:28	JSS	A
1,3-Dichloropropene, Total	0.28 U	ppbv		0.28	0.14	TO-15		9/28/10 04:28	JSS	A
Diisopropyl ether	0.28 U	ppbv		0.28	0.19	TO-15		9/28/10 04:28	JSS	A
1,4-Dioxane	0.28 U	ppbv		0.28	0.029	TO-15		9/28/10 04:28	JSS	A
Ethanol	1.5	ppbv	54	0.28	0.11	TO-15		9/28/10 04:28	JSS	A
Ethyl Acetate	0.28 U	ppbv		0.28	0.19	TO-15		9/28/10 04:28	JSS	A
Ethyl tert-butyl ether	0.28 U	ppbv		0.28	0.019	TO-15		9/28/10 04:28	JSS	A
Ethylbenzene	0.28 U	ppbv		0.28	0.012	TO-15		9/28/10 04:28	JSS	A
4-Ethyltoluene	0.28 U	ppbv		0.28	0.017	TO-15		9/28/10 04:28	JSS	A
Freon 113	2.8	ppbv		0.28	0.019	TO-15		9/28/10 04:28	JSS	A
Freon-114	0.28 U	ppbv		0.28	0.026	TO-15		9/28/10 04:28	JSS	A
Heptane	0.28 U	ppbv		0.28	0.029	TO-15		9/28/10 04:28	JSS	A



ANALYTICAL RESULTS

Workorder: 9866055 EBE002|BETHPAGE-NY

Lab ID: **9866055004**
Sample ID: **SVE TE-91610**

Date Collected: 9/16/2010 16:30
Date Received: 9/17/2010 09:20

Matrix: Air

Parameters	Results	Units	Footnotes	RDL	MDL	Method	Prepared By	Analyzed	By	Cntr
Hexachlorobutadiene	0.28 U	ppbv		0.28	0.026	TO-15		9/28/10 04:28	JSS	A
Hexane	0.48	ppbv		0.28	0.019	TO-15		9/28/10 04:28	JSS	A
2-Hexanone	0.28 U	ppbv		0.28	0.017	TO-15		9/28/10 04:28	JSS	A
Isopropyl Alcohol	0.70	ppbv	55	0.28	0.025	TO-15		9/28/10 04:28	JSS	A
Isopropylbenzene	6.2	ppbv		0.28	0.017	TO-15		9/28/10 04:28	JSS	A
p-Isopropyltoluene	0.28 U	ppbv		0.28	0.019	TO-15		9/28/10 04:28	JSS	A
Methyl methacrylate	0.75	ppbv		0.28	0.021	TO-15		9/28/10 04:28	JSS	A
Methyl t-Butyl Ether	0.28 U	ppbv		0.28	0.017	TO-15		9/28/10 04:28	JSS	A
4-Methyl-2-Pentanone(MIBK)	0.28 U	ppbv		0.28	0.025	TO-15		9/28/10 04:28	JSS	A
Methylene Chloride	1.8	ppbv	56	0.28	0.018	TO-15		9/28/10 04:28	JSS	A
Naphthalene	0.28 U	ppbv		0.28	0.037	TO-15		9/28/10 04:28	JSS	A
iso-Octane	0.28 U	ppbv		0.28	0.015	TO-15		9/28/10 04:28	JSS	A
n-Propylbenzene	0.28 U	ppbv		0.28	0.019	TO-15		9/28/10 04:28	JSS	A
Propylene	0.28 U	ppbv		0.28	0.026	TO-15		9/28/10 04:28	JSS	A
Styrene	0.28 U	ppbv		0.28	0.021	TO-15		9/28/10 04:28	JSS	A
1,1,2,2-Tetrachloroethane	0.28 U	ppbv		0.28	0.021	TO-15		9/28/10 04:28	JSS	A
Tetrachloroethene	0.28 U	ppbv		0.28	0.015	TO-15		9/28/10 04:28	JSS	A
Tetrahydrofuran	6.1	ppbv		0.28	0.015	TO-15		9/28/10 04:28	JSS	A
Toluene	0.42	ppbv		0.28	0.012	TO-15		9/28/10 04:28	JSS	A
Total Xylenes	1.5	ppbv		0.28	0.14	TO-15		9/28/10 04:28	JSS	A
1,2,4-Trichlorobenzene	0.28 U	ppbv		0.28	0.026	TO-15		9/28/10 04:28	JSS	A
1,1,1-Trichloroethane	1.6	ppbv		0.28	0.019	TO-15		9/28/10 04:28	JSS	A
1,1,2-Trichloroethane	0.28 U	ppbv		0.28	0.022	TO-15		9/28/10 04:28	JSS	A
Trichloroethene	0.28 U	ppbv		0.28	0.015	TO-15		9/28/10 04:28	JSS	A
Trichlorofluoromethane	0.69	ppbv	57	0.28	0.018	TO-15		9/28/10 04:28	JSS	A
1,2,3-Trichloropropane	0.28 U	ppbv		0.28	0.023	TO-15		9/28/10 04:28	JSS	A
1,2,4-Trimethylbenzene	0.89	ppbv		0.28	0.018	TO-15		9/28/10 04:28	JSS	A
1,3,5-Trimethylbenzene	0.43	ppbv		0.28	0.019	TO-15		9/28/10 04:28	JSS	A
1,2,3-Trimethylbenzene	0.46	ppbv		0.28	0.014	TO-15		9/28/10 04:28	JSS	A
Vinyl Acetate	0.45	ppbv		0.28	0.022	TO-15		9/28/10 04:28	JSS	A
Vinyl Bromide	0.28 U	ppbv		0.28	0.022	TO-15		9/28/10 04:28	JSS	A
Vinyl Chloride	0.48	ppbv		0.28	0.022	TO-15		9/28/10 04:28	JSS	A
o-Xylene	0.49	ppbv		0.28	0.017	TO-15		9/28/10 04:28	JSS	A
mp-Xylene	1.0	ppbv		0.55	0.030	TO-15		9/28/10 04:28	JSS	A
Acetone	21	ug/m3		0.7	0.1	TO-15		9/28/10 04:28	JSS	A
Acrylonitrile	0.6 U	ug/m3		0.6	0.05	TO-15		9/28/10 04:28	JSS	A
tert-Amyl methyl ether	1 U	ug/m3		1	0.07	TO-15		9/28/10 04:28	JSS	A
Benzene	0.9 U	ug/m3		0.9	0.09	TO-15		9/28/10 04:28	JSS	A
Benzyl Chloride	1 U	ug/m3		1	0.1	TO-15		9/28/10 04:28	JSS	A
Bromodichloromethane	2 U	ug/m3		2	0.1	TO-15		9/28/10 04:28	JSS	A
Bromoform	3 U	ug/m3		3	0.1	TO-15		9/28/10 04:28	JSS	A
Bromomethane	1 U	ug/m3		1	0.1	TO-15		9/28/10 04:28	JSS	A
1,3-Butadiene	0.6 U	ug/m3		0.6	0.2	TO-15		9/28/10 04:28	JSS	A
n-Butane	2	ug/m3		0.7	0.1	TO-15		9/28/10 04:28	JSS	A
2-Butanone	4	ug/m3		0.8	0.07	TO-15		9/28/10 04:28	JSS	A
tert.- Butyl Alcohol	0.8 U	ug/m3		0.8	0.06	TO-15		9/28/10 04:28	JSS	A



ANALYTICAL RESULTS

Workorder: 9866055 EBE002|BETHPAGE-NY

Lab ID: **9866055004**
Sample ID: **SVE TE-91610**

Date Collected: 9/16/2010 16:30
Date Received: 9/17/2010 09:20

Matrix: Air

Parameters	Results	Units	Footnotes	RDL	MDL	Method	Prepared By	Analyzed	By	Cntr
Carbon Disulfide	0.9 U	ug/m3		0.9	0.06	TO-15		9/28/10 04:28	JSS	A
Carbon Tetrachloride	2 U	ug/m3		2	0.1	TO-15		9/28/10 04:28	JSS	A
Chlorobenzene	1 U	ug/m3		1	0.1	TO-15		9/28/10 04:28	JSS	A
Chlorodibromomethane	2 U	ug/m3		2	0.09	TO-15		9/28/10 04:28	JSS	A
Chloroethane	0.7 U	ug/m3		0.7	0.06	TO-15		9/28/10 04:28	JSS	A
Chloroform	2	ug/m3		1	0.05	TO-15		9/28/10 04:28	JSS	A
Chloromethane	0.9	ug/m3		0.6	0.05	TO-15		9/28/10 04:28	JSS	A
3-Chloro-1-propene	0.9 U	ug/m3		0.9	0.06	TO-15		9/28/10 04:28	JSS	A
o-Chlorotoluene	1 U	ug/m3		1	0.1	TO-15		9/28/10 04:28	JSS	A
Cyclohexane	1 U	ug/m3		1	0.05	TO-15		9/28/10 04:28	JSS	A
1,2-Dibromoethane	2 U	ug/m3		2	0.1	TO-15		9/28/10 04:28	JSS	A
1,2-Dichlorobenzene	2 U	ug/m3		2	0.07	TO-15		9/28/10 04:28	JSS	A
1,3-Dichlorobenzene	2 U	ug/m3		2	0.1	TO-15		9/28/10 04:28	JSS	A
1,4-Dichlorobenzene	2 U	ug/m3		2	0.1	TO-15		9/28/10 04:28	JSS	A
Dichlorodifluoromethane	4	ug/m3		1	0.07	TO-15		9/28/10 04:28	JSS	A
1,1-Dichloroethane	22	ug/m3		1	0.08	TO-15		9/28/10 04:28	JSS	A
1,2-Dichloroethane	1 U	ug/m3		1	0.09	TO-15		9/28/10 04:28	JSS	A
1,1-Dichloroethene	7	ug/m3		1	0.09	TO-15		9/28/10 04:28	JSS	A
cis-1,2-Dichloroethene	26	ug/m3		1	0.2	TO-15		9/28/10 04:28	JSS	A
trans-1,2-Dichloroethene	2	ug/m3		1	0.06	TO-15		9/28/10 04:28	JSS	A
1,2-Dichloropropane	1 U	ug/m3		1	0.1	TO-15		9/28/10 04:28	JSS	A
cis-1,3-Dichloropropene	1 U	ug/m3		1	0.08	TO-15		9/28/10 04:28	JSS	A
trans-1,3-Dichloropropene	1 U	ug/m3		1	0.08	TO-15		9/28/10 04:28	JSS	A
1,3-Dichloropropene, Total	1 U	ug/m3		1	0.1	TO-15		9/28/10 04:28	JSS	A
Diisopropyl ether	1 U	ug/m3		1	0.8	TO-15		9/28/10 04:28	JSS	A
1,4-Dioxane	1 U	ug/m3		1	0.1	TO-15		9/28/10 04:28	JSS	A
Ethanol	3	ug/m3		0.5	0.2	TO-15		9/28/10 04:28	JSS	A
Ethyl Acetate	1 U	ug/m3		1	0.7	TO-15		9/28/10 04:28	JSS	A
Ethyl tert-butyl ether	1 U	ug/m3		1	0.08	TO-15		9/28/10 04:28	JSS	A
Ethylbenzene	1 U	ug/m3		1	0.05	TO-15		9/28/10 04:28	JSS	A
4-Ethyltoluene	1 U	ug/m3		1	0.08	TO-15		9/28/10 04:28	JSS	A
Freon 113	22	ug/m3		2	0.1	TO-15		9/28/10 04:28	JSS	A
Freon-114	2 U	ug/m3		2	0.2	TO-15		9/28/10 04:28	JSS	A
Heptane	1 U	ug/m3		1	0.1	TO-15		9/28/10 04:28	JSS	A
Hexachlorobutadiene	3 U	ug/m3		3	0.3	TO-15		9/28/10 04:28	JSS	A
Hexane	2	ug/m3		1	0.07	TO-15		9/28/10 04:28	JSS	A
2-Hexanone	1 U	ug/m3		1	0.07	TO-15		9/28/10 04:28	JSS	A
Isopropyl Alcohol	2	ug/m3		0.7	0.06	TO-15		9/28/10 04:28	JSS	A
Isopropylbenzene	31	ug/m3		1	0.08	TO-15		9/28/10 04:28	JSS	A
p-Isopropyltoluene	2 U	ug/m3		2	0.1	TO-15		9/28/10 04:28	JSS	A
Methyl Methacrylate	3	ug/m3		1	0.08	TO-15		9/28/10 04:28	JSS	A
Methyl t-Butyl Ether	1 U	ug/m3		1	0.06	TO-15		9/28/10 04:28	JSS	A
4-Methyl-2-Pentanone(MIBK)	1 U	ug/m3		1	0.1	TO-15		9/28/10 04:28	JSS	A
Methylene Chloride	6	ug/m3		1	0.06	TO-15		9/28/10 04:28	JSS	A
Naphthalene	1 U	ug/m3		1	0.2	TO-15		9/28/10 04:28	JSS	A
iso-Octane	1 U	ug/m3		1	0.07	TO-15		9/28/10 04:28	JSS	A



ANALYTICAL RESULTS

Workorder: 9866055 EBE002|BETHPAGE-NY

Lab ID: **9866055004**
Sample ID: **SVE TE-91610**

Date Collected: 9/16/2010 16:30
Date Received: 9/17/2010 09:20

Matrix: Air

Parameters	Results	Units	Footnotes	RDL	MDL	Method	Prepared By	Analyzed	By	Cntr
n-Propylbenzene	1 U	ug/m3		1	0.1	TO-15		9/28/10 04:28	JSS	A
Propylene	0.5 U	ug/m3		0.5	0.05	TO-15		9/28/10 04:28	JSS	A
Styrene	1 U	ug/m3		1	0.09	TO-15		9/28/10 04:28	JSS	A
1,1,2,2-Tetrachloroethane	2 U	ug/m3		2	0.1	TO-15		9/28/10 04:28	JSS	A
Tetrachloroethene	2 U	ug/m3		2	0.1	TO-15		9/28/10 04:28	JSS	A
Tetrahydrofuran	18	ug/m3		0.8	0.04	TO-15		9/28/10 04:28	JSS	A
Toluene	2	ug/m3		1	0.05	TO-15		9/28/10 04:28	JSS	A
Total Xylenes	7	ug/m3		1	0.1	TO-15		9/28/10 04:28	JSS	A
1,2,4-Trichlorobenzene	2 U	ug/m3		2	0.2	TO-15		9/28/10 04:28	JSS	A
1,1,1-Trichloroethane	9	ug/m3		2	0.1	TO-15		9/28/10 04:28	JSS	A
1,1,2-Trichloroethane	2 U	ug/m3		2	0.1	TO-15		9/28/10 04:28	JSS	A
Trichloroethene	1 U	ug/m3		1	0.08	TO-15		9/28/10 04:28	JSS	A
Trichlorofluoromethane	4	ug/m3		2	0.1	TO-15		9/28/10 04:28	JSS	A
1,2,3-Trichloropropane	2 U	ug/m3		2	0.1	TO-15		9/28/10 04:28	JSS	A
1,2,4-Trimethylbenzene	4	ug/m3		1	0.09	TO-15		9/28/10 04:28	JSS	A
1,3,5-Trimethylbenzene	2	ug/m3		1	0.1	TO-15		9/28/10 04:28	JSS	A
1,2,3-Trimethylbenzene	2	ug/m3		1	0.07	TO-15		9/28/10 04:28	JSS	A
Vinyl Acetate	2	ug/m3		1	0.08	TO-15		9/28/10 04:28	JSS	A
Vinyl Bromide	1 U	ug/m3		1	0.1	TO-15		9/28/10 04:28	JSS	A
Vinyl Chloride	1	ug/m3		0.7	0.06	TO-15		9/28/10 04:28	JSS	A
o-Xylene	2	ug/m3		1	0.07	TO-15		9/28/10 04:28	JSS	A
mp-Xylenes	4	ug/m3		2	0.1	TO-15		9/28/10 04:28	JSS	A
<i>Surrogate Recoveries</i>	<i>Results</i>	<i>Units</i>	<i>Footnotes</i>	<i>Limits</i>		<i>Method</i>	<i>Prepared By</i>	<i>Analyzed</i>	<i>By</i>	<i>Cntr</i>
4-Bromofluorobenzene (S)	99.5	%		70-130		TO-15		9/28/10 04:28	JSS	A

Sample Comments:

This sample was run at a 1.38x dilution due to insufficient volume of sample submitted. JSS 9/29/10.


Anna G Milliken
Laboratory Manager



ANALYTICAL RESULTS

Workorder: 9866055 EBE002|BETHPAGE-NY

Lab ID: **9866055005**
Sample ID: **SVE TI-91610-02**

Date Collected: 9/16/2010 17:30
Date Received: 9/17/2010 09:20

Matrix: Air

Parameters	Results	Units	Footnotes	RDL	MDL	Method	Prepared By	Analyzed	By	Cntr
VOLATILE ORGANICS @ STP										
Acetone	2.1	ppbv	49	0.20	0.034	TO-15		9/28/10 07:35	JSS	A
Acrylonitrile	0.20 U	ppbv		0.20	0.016	TO-15		9/28/10 07:35	JSS	A
tert-Amyl methyl ether	0.20 U	ppbv		0.20	0.012	TO-15		9/28/10 07:35	JSS	A
Benzene	0.32	ppbv		0.20	0.021	TO-15		9/28/10 07:35	JSS	A
Benzyl Chloride	0.20 U	ppbv		0.20	0.015	TO-15		9/28/10 07:35	JSS	A
Bromodichloromethane	0.20 U	ppbv		0.20	0.012	TO-15		9/28/10 07:35	JSS	A
Bromoform	0.20 U	ppbv		0.20	0.010	TO-15		9/28/10 07:35	JSS	A
Bromomethane	0.20 U	ppbv		0.20	0.021	TO-15		9/28/10 07:35	JSS	A
1,3-Butadiene	0.20 U	ppbv		0.20	0.053	TO-15		9/28/10 07:35	JSS	A
n-Butane	0.41	ppbv		0.20	0.030	TO-15		9/28/10 07:35	JSS	A
2-Butanone	1.8	ppbv		0.20	0.017	TO-15		9/28/10 07:35	JSS	A
tert.- Butyl Alcohol	0.20 U	ppbv		0.20	0.014	TO-15		9/28/10 07:35	JSS	A
Carbon Disulfide	0.34	ppbv		0.20	0.013	TO-15		9/28/10 07:35	JSS	A
Carbon Tetrachloride	0.47	ppbv		0.20	0.014	TO-15		9/28/10 07:35	JSS	A
Chlorobenzene	0.20 U	ppbv		0.20	0.016	TO-15		9/28/10 07:35	JSS	A
Chlorodibromomethane	0.20 U	ppbv		0.20	0.0080	TO-15		9/28/10 07:35	JSS	A
Chloroethane	0.31	ppbv	60	0.20	0.018	TO-15		9/28/10 07:35	JSS	A
Chloroform	1.1	ppbv		0.20	0.0080	TO-15		9/28/10 07:35	JSS	A
Chloromethane	0.31	ppbv	50	0.20	0.018	TO-15		9/28/10 07:35	JSS	A
3-Chloro-1-propene	0.20 U	ppbv		0.20	0.014	TO-15		9/28/10 07:35	JSS	A
o-Chlorotoluene	0.20 U	ppbv		0.20	0.017	TO-15		9/28/10 07:35	JSS	A
Cyclohexane	0.20 U	ppbv		0.20	0.011	TO-15		9/28/10 07:35	JSS	A
1,2-Dibromoethane	0.20 U	ppbv		0.20	0.010	TO-15		9/28/10 07:35	JSS	A
1,2-Dichlorobenzene	0.20 U	ppbv		0.20	0.0090	TO-15		9/28/10 07:35	JSS	A
1,3-Dichlorobenzene	0.20 U	ppbv		0.20	0.015	TO-15		9/28/10 07:35	JSS	A
1,4-Dichlorobenzene	0.20 U	ppbv		0.20	0.013	TO-15		9/28/10 07:35	JSS	A
Dichlorodifluoromethane	0.70	ppbv	51	0.20	0.011	TO-15		9/28/10 07:35	JSS	A
1,1-Dichloroethane	15	ppbv	52	0.20	0.014	TO-15		9/28/10 07:35	JSS	A
1,2-Dichloroethane	0.56	ppbv	58	0.20	0.016	TO-15		9/28/10 07:35	JSS	A
1,1-Dichloroethene	0.70	ppbv		0.20	0.017	TO-15		9/28/10 07:35	JSS	A
cis-1,2-Dichloroethene	59	ppbv	53	2.0	0.36	TO-15		9/28/10 05:57	JSS	A
trans-1,2-Dichloroethene	1.3	ppbv		0.20	0.010	TO-15		9/28/10 07:35	JSS	A
1,2-Dichloropropane	0.20 U	ppbv		0.20	0.016	TO-15		9/28/10 07:35	JSS	A
cis-1,3-Dichloropropene	0.20 U	ppbv		0.20	0.013	TO-15		9/28/10 07:35	JSS	A
trans-1,3-Dichloropropene	0.20 U	ppbv		0.20	0.013	TO-15		9/28/10 07:35	JSS	A
1,3-Dichloropropene, Total	0.20 U	ppbv		0.20	0.10	TO-15		9/28/10 07:35	JSS	A
Diisopropyl ether	0.20 U	ppbv		0.20	0.14	TO-15		9/28/10 07:35	JSS	A
1,4-Dioxane	0.20 U	ppbv		0.20	0.021	TO-15		9/28/10 07:35	JSS	A
Ethanol	0.91	ppbv	54	0.20	0.083	TO-15		9/28/10 07:35	JSS	A
Ethyl Acetate	0.20 U	ppbv		0.20	0.14	TO-15		9/28/10 07:35	JSS	A
Ethyl tert-butyl ether	0.20 U	ppbv		0.20	0.014	TO-15		9/28/10 07:35	JSS	A
Ethylbenzene	0.20 U	ppbv		0.20	0.0090	TO-15		9/28/10 07:35	JSS	A
4-Ethyltoluene	0.20 U	ppbv		0.20	0.012	TO-15		9/28/10 07:35	JSS	A
Freon 113	24	ppbv		0.20	0.014	TO-15		9/28/10 07:35	JSS	A
Freon-114	0.20 U	ppbv		0.20	0.019	TO-15		9/28/10 07:35	JSS	A
Heptane	0.20 U	ppbv		0.20	0.021	TO-15		9/28/10 07:35	JSS	A



ANALYTICAL RESULTS

Workorder: 9866055 EBE002|BETHPAGE-NY

Lab ID: **9866055005**
Sample ID: **SVE TI-91610-02**

Date Collected: 9/16/2010 17:30
Date Received: 9/17/2010 09:20

Matrix: Air

Parameters	Results	Units	Footnotes	RDL	MDL	Method	Prepared By	Analyzed	By	Cntr
Hexachlorobutadiene	0.20 U	ppbv		0.20	0.019	TO-15		9/28/10 07:35	JSS	A
Hexane	0.38	ppbv		0.20	0.014	TO-15		9/28/10 07:35	JSS	A
2-Hexanone	0.20 U	ppbv		0.20	0.012	TO-15		9/28/10 07:35	JSS	A
Isopropyl Alcohol	0.88	ppbv	55	0.20	0.018	TO-15		9/28/10 07:35	JSS	A
Isopropylbenzene	0.32	ppbv		0.20	0.012	TO-15		9/28/10 07:35	JSS	A
p-Isopropyltoluene	0.20 U	ppbv		0.20	0.014	TO-15		9/28/10 07:35	JSS	A
Methyl methacrylate	0.20 U	ppbv		0.20	0.015	TO-15		9/28/10 07:35	JSS	A
Methyl t-Butyl Ether	0.30	ppbv		0.20	0.012	TO-15		9/28/10 07:35	JSS	A
4-Methyl-2-Pentanone(MIBK)	0.33	ppbv		0.20	0.018	TO-15		9/28/10 07:35	JSS	A
Methylene Chloride	0.96	ppbv	56	0.20	0.013	TO-15		9/28/10 07:35	JSS	A
Naphthalene	0.20 U	ppbv		0.20	0.027	TO-15		9/28/10 07:35	JSS	A
iso-Octane	0.20 U	ppbv		0.20	0.011	TO-15		9/28/10 07:35	JSS	A
n-Propylbenzene	0.20 U	ppbv		0.20	0.014	TO-15		9/28/10 07:35	JSS	A
Propylene	0.20 U	ppbv		0.20	0.019	TO-15		9/28/10 07:35	JSS	A
Styrene	0.20 U	ppbv		0.20	0.015	TO-15		9/28/10 07:35	JSS	A
1,1,2,2-Tetrachloroethane	0.20 U	ppbv		0.20	0.015	TO-15		9/28/10 07:35	JSS	A
Tetrachloroethene	170	ppbv		2.0	0.11	TO-15		9/28/10 05:57	JSS	A
Tetrahydrofuran	6.4	ppbv		0.20	0.011	TO-15		9/28/10 07:35	JSS	A
Toluene	0.41	ppbv		0.20	0.0090	TO-15		9/28/10 07:35	JSS	A
Total Xylenes	0.31	ppbv		0.20	0.10	TO-15		9/28/10 07:35	JSS	A
1,2,4-Trichlorobenzene	0.20 U	ppbv		0.20	0.019	TO-15		9/28/10 07:35	JSS	A
1,1,1-Trichloroethane	47	ppbv		2.0	0.14	TO-15		9/28/10 05:57	JSS	A
1,1,2-Trichloroethane	0.48	ppbv		0.20	0.016	TO-15		9/28/10 07:35	JSS	A
Trichloroethene	150	ppbv		2.0	0.11	TO-15		9/28/10 05:57	JSS	A
Trichlorofluoromethane	0.60	ppbv	57	0.20	0.013	TO-15		9/28/10 07:35	JSS	A
1,2,3-Trichloropropane	0.20 U	ppbv		0.20	0.017	TO-15		9/28/10 07:35	JSS	A
1,2,4-Trimethylbenzene	0.20 U	ppbv		0.20	0.013	TO-15		9/28/10 07:35	JSS	A
1,3,5-Trimethylbenzene	0.20 U	ppbv		0.20	0.014	TO-15		9/28/10 07:35	JSS	A
1,2,3-Trimethylbenzene	0.20 U	ppbv		0.20	0.010	TO-15		9/28/10 07:35	JSS	A
Vinyl Acetate	0.39	ppbv		0.20	0.016	TO-15		9/28/10 07:35	JSS	A
Vinyl Bromide	0.20 U	ppbv		0.20	0.016	TO-15		9/28/10 07:35	JSS	A
Vinyl Chloride	0.39	ppbv		0.20	0.016	TO-15		9/28/10 07:35	JSS	A
o-Xylene	0.31	ppbv		0.20	0.012	TO-15		9/28/10 07:35	JSS	A
mp-Xylene	0.40 U	ppbv		0.40	0.022	TO-15		9/28/10 07:35	JSS	A
Acetone	5	ug/m3		0.5	0.08	TO-15		9/28/10 07:35	JSS	A
Acrylonitrile	0.4 U	ug/m3		0.4	0.04	TO-15		9/28/10 07:35	JSS	A
tert-Amyl methyl ether	0.8 U	ug/m3		0.8	0.05	TO-15		9/28/10 07:35	JSS	A
Benzene	1	ug/m3		0.6	0.07	TO-15		9/28/10 07:35	JSS	A
Benzyl Chloride	1 U	ug/m3		1	0.08	TO-15		9/28/10 07:35	JSS	A
Bromodichloromethane	1 U	ug/m3		1	0.08	TO-15		9/28/10 07:35	JSS	A
Bromoform	2 U	ug/m3		2	0.1	TO-15		9/28/10 07:35	JSS	A
Bromomethane	0.8 U	ug/m3		0.8	0.08	TO-15		9/28/10 07:35	JSS	A
1,3-Butadiene	0.4 U	ug/m3		0.4	0.1	TO-15		9/28/10 07:35	JSS	A
n-Butane	1	ug/m3		0.5	0.07	TO-15		9/28/10 07:35	JSS	A
2-Butanone	5	ug/m3		0.6	0.05	TO-15		9/28/10 07:35	JSS	A
tert.- Butyl Alcohol	0.6 U	ug/m3		0.6	0.04	TO-15		9/28/10 07:35	JSS	A



ANALYTICAL RESULTS

Workorder: 9866055 EBE002|BETHPAGE-NY

Lab ID: **9866055005**
Sample ID: **SVE TI-91610-02**

Date Collected: 9/16/2010 17:30
Date Received: 9/17/2010 09:20

Matrix: Air

Parameters	Results	Units	Footnotes	RDL	MDL	Method	Prepared By	Analyzed	By	Cntr
Carbon Disulfide	1	ug/m3		0.6	0.04	TO-15		9/28/10 07:35	JSS	A
Carbon Tetrachloride	3	ug/m3		1	0.09	TO-15		9/28/10 07:35	JSS	A
Chlorobenzene	0.9 U	ug/m3		0.9	0.07	TO-15		9/28/10 07:35	JSS	A
Chlorodibromomethane	2 U	ug/m3		2	0.07	TO-15		9/28/10 07:35	JSS	A
Chloroethane	0.8	ug/m3		0.5	0.05	TO-15		9/28/10 07:35	JSS	A
Chloroform	6	ug/m3		1	0.04	TO-15		9/28/10 07:35	JSS	A
Chloromethane	0.6	ug/m3		0.4	0.04	TO-15		9/28/10 07:35	JSS	A
3-Chloro-1-propene	0.6 U	ug/m3		0.6	0.04	TO-15		9/28/10 07:35	JSS	A
o-Chlorotoluene	1 U	ug/m3		1	0.09	TO-15		9/28/10 07:35	JSS	A
Cyclohexane	0.7 U	ug/m3		0.7	0.04	TO-15		9/28/10 07:35	JSS	A
1,2-Dibromoethane	2 U	ug/m3		2	0.08	TO-15		9/28/10 07:35	JSS	A
1,2-Dichlorobenzene	1 U	ug/m3		1	0.05	TO-15		9/28/10 07:35	JSS	A
1,3-Dichlorobenzene	1 U	ug/m3		1	0.09	TO-15		9/28/10 07:35	JSS	A
1,4-Dichlorobenzene	1 U	ug/m3		1	0.08	TO-15		9/28/10 07:35	JSS	A
Dichlorodifluoromethane	3	ug/m3		1	0.05	TO-15		9/28/10 07:35	JSS	A
1,1-Dichloroethane	62	ug/m3		0.8	0.06	TO-15		9/28/10 07:35	JSS	A
1,2-Dichloroethane	2	ug/m3		0.8	0.07	TO-15		9/28/10 07:35	JSS	A
1,1-Dichloroethene	3	ug/m3		0.8	0.07	TO-15		9/28/10 07:35	JSS	A
cis-1,2-Dichloroethene	240	ug/m3		8	1	TO-15		9/28/10 05:57	JSS	A
trans-1,2-Dichloroethene	5	ug/m3		0.8	0.04	TO-15		9/28/10 07:35	JSS	A
1,2-Dichloropropane	0.9 U	ug/m3		0.9	0.07	TO-15		9/28/10 07:35	JSS	A
cis-1,3-Dichloropropene	0.9 U	ug/m3		0.9	0.06	TO-15		9/28/10 07:35	JSS	A
trans-1,3-Dichloropropene	0.9 U	ug/m3		0.9	0.06	TO-15		9/28/10 07:35	JSS	A
1,3-Dichloropropene, Total	0.9 U	ug/m3		0.9	0.1	TO-15		9/28/10 07:35	JSS	A
Diisopropyl ether	0.8 U	ug/m3		0.8	0.6	TO-15		9/28/10 07:35	JSS	A
1,4-Dioxane	0.7 U	ug/m3		0.7	0.08	TO-15		9/28/10 07:35	JSS	A
Ethanol	2	ug/m3		0.4	0.2	TO-15		9/28/10 07:35	JSS	A
Ethyl Acetate	0.8 U	ug/m3		0.8	0.5	TO-15		9/28/10 07:35	JSS	A
Ethyl tert-butyl ether	0.8 U	ug/m3		0.8	0.06	TO-15		9/28/10 07:35	JSS	A
Ethylbenzene	0.9 U	ug/m3		0.9	0.04	TO-15		9/28/10 07:35	JSS	A
4-Ethyltoluene	1 U	ug/m3		1	0.06	TO-15		9/28/10 07:35	JSS	A
Freon 113	180	ug/m3		2	0.1	TO-15		9/28/10 07:35	JSS	A
Freon-114	1 U	ug/m3		1	0.1	TO-15		9/28/10 07:35	JSS	A
Heptane	0.8 U	ug/m3		0.8	0.09	TO-15		9/28/10 07:35	JSS	A
Hexachlorobutadiene	2 U	ug/m3		2	0.2	TO-15		9/28/10 07:35	JSS	A
Hexane	1	ug/m3		0.7	0.05	TO-15		9/28/10 07:35	JSS	A
2-Hexanone	0.8 U	ug/m3		0.8	0.05	TO-15		9/28/10 07:35	JSS	A
Isopropyl Alcohol	2	ug/m3		0.5	0.04	TO-15		9/28/10 07:35	JSS	A
Isopropylbenzene	2	ug/m3		1	0.06	TO-15		9/28/10 07:35	JSS	A
p-Isopropyltoluene	1 U	ug/m3		1	0.08	TO-15		9/28/10 07:35	JSS	A
Methyl Methacrylate	0.8 U	ug/m3		0.8	0.06	TO-15		9/28/10 07:35	JSS	A
Methyl t-Butyl Ether	1	ug/m3		0.7	0.04	TO-15		9/28/10 07:35	JSS	A
4-Methyl-2-Pentanone(MIBK)	1	ug/m3		0.8	0.07	TO-15		9/28/10 07:35	JSS	A
Methylene Chloride	3	ug/m3		0.7	0.05	TO-15		9/28/10 07:35	JSS	A
Naphthalene	1 U	ug/m3		1	0.1	TO-15		9/28/10 07:35	JSS	A
iso-Octane	0.9 U	ug/m3		0.9	0.05	TO-15		9/28/10 07:35	JSS	A



ANALYTICAL RESULTS

Workorder: 9866055 EBE002|BETHPAGE-NY

Lab ID: **9866055005**
Sample ID: **SVE TI-91610-02**

Date Collected: 9/16/2010 17:30
Date Received: 9/17/2010 09:20

Matrix: Air

Parameters	Results	Units	Footnotes	RDL	MDL	Method	Prepared By	Analyzed	By	Cntr
n-Propylbenzene	1 U	ug/m3		1	0.07	TO-15		9/28/10 07:35	JSS	A
Propylene	0.3 U	ug/m3		0.3	0.03	TO-15		9/28/10 07:35	JSS	A
Styrene	0.9 U	ug/m3		0.9	0.06	TO-15		9/28/10 07:35	JSS	A
1,1,2,2-Tetrachloroethane	1 U	ug/m3		1	0.07	TO-15		9/28/10 07:35	JSS	A
Tetrachloroethene	1200	ug/m3		14	0.8	TO-15		9/28/10 05:57	JSS	A
Tetrahydrofuran	19	ug/m3		0.6	0.03	TO-15		9/28/10 07:35	JSS	A
Toluene	2	ug/m3		0.8	0.03	TO-15		9/28/10 07:35	JSS	A
Total Xylenes	1	ug/m3		0.9	0.1	TO-15		9/28/10 07:35	JSS	A
1,2,4-Trichlorobenzene	1 U	ug/m3		1	0.1	TO-15		9/28/10 07:35	JSS	A
1,1,1-Trichloroethane	260	ug/m3		11	0.8	TO-15		9/28/10 05:57	JSS	A
1,1,2-Trichloroethane	3	ug/m3		1	0.09	TO-15		9/28/10 07:35	JSS	A
Trichloroethene	780	ug/m3		11	0.6	TO-15		9/28/10 05:57	JSS	A
Trichlorofluoromethane	3	ug/m3		1	0.07	TO-15		9/28/10 07:35	JSS	A
1,2,3-Trichloropropane	1 U	ug/m3		1	0.1	TO-15		9/28/10 07:35	JSS	A
1,2,4-Trimethylbenzene	1 U	ug/m3		1	0.06	TO-15		9/28/10 07:35	JSS	A
1,3,5-Trimethylbenzene	1 U	ug/m3		1	0.07	TO-15		9/28/10 07:35	JSS	A
1,2,3-Trimethylbenzene	1 U	ug/m3		1	0.05	TO-15		9/28/10 07:35	JSS	A
Vinyl Acetate	1	ug/m3		0.7	0.06	TO-15		9/28/10 07:35	JSS	A
Vinyl Bromide	0.9 U	ug/m3		0.9	0.07	TO-15		9/28/10 07:35	JSS	A
Vinyl Chloride	1	ug/m3		0.5	0.04	TO-15		9/28/10 07:35	JSS	A
o-Xylene	1	ug/m3		0.9	0.05	TO-15		9/28/10 07:35	JSS	A
mp-Xylenes	2 U	ug/m3		2	0.1	TO-15		9/28/10 07:35	JSS	A
<i>Surrogate Recoveries</i>	<i>Results</i>	<i>Units</i>	<i>Footnotes</i>	<i>Limits</i>		<i>Method</i>	<i>Prepared By</i>	<i>Analyzed</i>	<i>By</i>	<i>Cntr</i>
4-Bromofluorobenzene (S)	103	%		70-130		TO-15		9/28/10 05:57	JSS	A
4-Bromofluorobenzene (S)	102	%		70-130		TO-15		9/28/10 07:35	JSS	A

Sample Comments:

Anna G Milliken
Anna G Milliken
Laboratory Manager



ANALYTICAL RESULTS QUALIFIERS/FLAGS

Workorder: 9866055 EBE002|BETHPAGE-NY

PARAMETER QUALIFIERS/FLAGS

- [1] The QC sample type LCS for method TO-15 was outside the control limits for the analyte Acetone. The % Recovery was reported as 184 and the control limits were 60 to 140.
- [2] The QC sample type LCS for method TO-15 was outside the control limits for the analyte Acrylonitrile. The % Recovery was reported as 164 and the control limits were 60 to 140.
- [3] The QC sample type LCS for method TO-15 was outside the control limits for the analyte Benzene. The % Recovery was reported as 156 and the control limits were 60 to 140.
- [4] The QC sample type LCS for method TO-15 was outside the control limits for the analyte Bromodichloromethane. The % Recovery was reported as 163 and the control limits were 60 to 140.
- [5] The QC sample type LCS for method TO-15 was outside the control limits for the analyte Bromoform. The % Recovery was reported as 144 and the control limits were 60 to 140.
- [6] The QC sample type LCS for method TO-15 was outside the control limits for the analyte Bromomethane. The % Recovery was reported as 165 and the control limits were 60 to 140.
- [7] The QC sample type LCS for method TO-15 was outside the control limits for the analyte 1,3-Butadiene. The % Recovery was reported as 152 and the control limits were 60 to 140.
- [8] The QC sample type LCS for method TO-15 was outside the control limits for the analyte n-Butane. The % Recovery was reported as 144 and the control limits were 60 to 140.
- [9] The QC sample type LCS for method TO-15 was outside the control limits for the analyte 2-Butanone. The % Recovery was reported as 164 and the control limits were 60 to 140.
- [10] The QC sample type LCS for method TO-15 was outside the control limits for the analyte tert.- Butyl Alcohol. The % Recovery was reported as 159 and the control limits were 60 to 140.
- [11] The QC sample type LCS for method TO-15 was outside the control limits for the analyte Carbon Disulfide. The % Recovery was reported as 171 and the control limits were 60 to 140.
- [12] The QC sample type LCS for method TO-15 was outside the control limits for the analyte Carbon Tetrachloride. The % Recovery was reported as 165 and the control limits were 60 to 140.
- [13] The QC sample type LCS for method TO-15 was outside the control limits for the analyte Chlorobenzene. The % Recovery was reported as 159 and the control limits were 60 to 140.
- [14] The QC sample type LCS for method TO-15 was outside the control limits for the analyte Chlorodibromomethane. The % Recovery was reported as 149 and the control limits were 60 to 140.
- [15] The QC sample type LCS for method TO-15 was outside the control limits for the analyte Chloroethane. The % Recovery was reported as 159 and the control limits were 60 to 140.
- [16] The QC sample type LCS for method TO-15 was outside the control limits for the analyte Chloroform. The % Recovery was reported as 172 and the control limits were 60 to 140.
- [17] The QC sample type LCS for method TO-15 was outside the control limits for the analyte Chloromethane. The % Recovery was reported as 168 and the control limits were 60 to 140.
- [18] The QC sample type LCS for method TO-15 was outside the control limits for the analyte 1,2-Dibromoethane. The % Recovery was reported as 149 and the control limits were 60 to 140.



ANALYTICAL RESULTS QUALIFIERS/FLAGS

Workorder: 9866055 EBE002|BETHPAGE-NY

PARAMETER QUALIFIERS/FLAGS

- [19] The QC sample type LCS for method TO-15 was outside the control limits for the analyte 1,2-Dichlorobenzene. The % Recovery was reported as 151 and the control limits were 60 to 140.
- [20] The QC sample type LCS for method TO-15 was outside the control limits for the analyte 1,3-Dichlorobenzene. The % Recovery was reported as 144 and the control limits were 60 to 140.
- [21] The QC sample type LCS for method TO-15 was outside the control limits for the analyte 1,4-Dichlorobenzene. The % Recovery was reported as 143 and the control limits were 60 to 140.
- [22] The QC sample type LCS for method TO-15 was outside the control limits for the analyte Dichlorodifluoromethane. The % Recovery was reported as 170 and the control limits were 60 to 140.
- [23] The QC sample type LCS for method TO-15 was outside the control limits for the analyte 1,1-Dichloroethane. The % Recovery was reported as 170 and the control limits were 60 to 140.
- [24] The QC sample type LCS for method TO-15 was outside the control limits for the analyte 1,2-Dichloroethane. The % Recovery was reported as 171 and the control limits were 60 to 140.
- [25] The QC sample type LCS for method TO-15 was outside the control limits for the analyte 1,1-Dichloroethene. The % Recovery was reported as 165 and the control limits were 60 to 140.
- [26] The QC sample type LCS for method TO-15 was outside the control limits for the analyte cis-1,2-Dichloroethene. The % Recovery was reported as 174 and the control limits were 60 to 140.
- [27] The QC sample type LCS for method TO-15 was outside the control limits for the analyte trans-1,2-Dichloroethene. The % Recovery was reported as 163 and the control limits were 60 to 140.
- [28] The QC sample type LCS for method TO-15 was outside the control limits for the analyte 1,2-Dichloropropane. The % Recovery was reported as 163 and the control limits were 60 to 140.
- [29] The QC sample type LCS for method TO-15 was outside the control limits for the analyte Diisopropyl ether. The % Recovery was reported as 193 and the control limits were 60 to 140.
- [30] The QC sample type LCS for method TO-15 was outside the control limits for the analyte Ethanol. The % Recovery was reported as 180 and the control limits were 60 to 140.
- [31] The QC sample type LCS for method TO-15 was outside the control limits for the analyte Ethyl Acetate. The % Recovery was reported as 152 and the control limits were 60 to 140.
- [32] The QC sample type LCS for method TO-15 was outside the control limits for the analyte Freon 113. The % Recovery was reported as 173 and the control limits were 60 to 140.
- [33] The QC sample type LCS for method TO-15 was outside the control limits for the analyte Freon-114. The % Recovery was reported as 165 and the control limits were 60 to 140.
- [34] The QC sample type LCS for method TO-15 was outside the control limits for the analyte Hexachlorobutadiene. The % Recovery was reported as 160 and the control limits were 60 to 140.
- [35] The QC sample type LCS for method TO-15 was outside the control limits for the analyte Hexane. The % Recovery was reported as 152 and the control limits were 60 to 140.
- [36] The QC sample type LCS for method TO-15 was outside the control limits for the analyte Isopropyl Alcohol. The % Recovery was reported as 223 and the control limits were 60 to 140.



ANALYTICAL RESULTS QUALIFIERS/FLAGS

Workorder: 9866055 EBE002|BETHPAGE-NY

PARAMETER QUALIFIERS/FLAGS

- [37] The QC sample type LCS for method TO-15 was outside the control limits for the analyte Methylene Chloride. The % Recovery was reported as 196 and the control limits were 60 to 140.
- [38] The QC sample type LCS for method TO-15 was outside the control limits for the analyte iso-Octane. The % Recovery was reported as 148 and the control limits were 60 to 140.
- [39] The QC sample type LCS for method TO-15 was outside the control limits for the analyte 1,1,2,2-Tetrachloroethane. The % Recovery was reported as 153 and the control limits were 60 to 140.
- [40] The QC sample type LCS for method TO-15 was outside the control limits for the analyte Tetrachloroethene. The % Recovery was reported as 148 and the control limits were 60 to 140.
- [41] The QC sample type LCS for method TO-15 was outside the control limits for the analyte 1,1,1-Trichloroethane. The % Recovery was reported as 166 and the control limits were 60 to 140.
- [42] The QC sample type LCS for method TO-15 was outside the control limits for the analyte 1,1,2-Trichloroethane. The % Recovery was reported as 161 and the control limits were 60 to 140.
- [43] The QC sample type LCS for method TO-15 was outside the control limits for the analyte Trichloroethene. The % Recovery was reported as 151 and the control limits were 60 to 140.
- [44] The QC sample type LCS for method TO-15 was outside the control limits for the analyte Trichlorofluoromethane. The % Recovery was reported as 162 and the control limits were 60 to 140.
- [45] The QC sample type LCS for method TO-15 was outside the control limits for the analyte 1,2,3-Trichloropropane. The % Recovery was reported as 157 and the control limits were 60 to 140.
- [46] The QC sample type LCS for method TO-15 was outside the control limits for the analyte Vinyl Acetate. The % Recovery was reported as 149 and the control limits were 60 to 140.
- [47] The QC sample type LCS for method TO-15 was outside the control limits for the analyte Vinyl Bromide. The % Recovery was reported as 158 and the control limits were 60 to 140.
- [48] The QC sample type LCS for method TO-15 was outside the control limits for the analyte Vinyl Chloride. The % Recovery was reported as 155 and the control limits were 60 to 140.
- [49] The QC sample type LCS for method TO-15 was outside the control limits for the analyte Acetone. The % Recovery was reported as 175 and the control limits were 60 to 140.
- [50] The QC sample type LCS for method TO-15 was outside the control limits for the analyte Chloromethane. The % Recovery was reported as 147 and the control limits were 60 to 140.
- [51] The QC sample type LCS for method TO-15 was outside the control limits for the analyte Dichlorodifluoromethane. The % Recovery was reported as 143 and the control limits were 60 to 140.
- [52] The QC sample type LCS for method TO-15 was outside the control limits for the analyte 1,1-Dichloroethane. The % Recovery was reported as 142 and the control limits were 60 to 140.
- [53] The QC sample type LCS for method TO-15 was outside the control limits for the analyte cis-1,2-Dichloroethene. The % Recovery was reported as 148 and the control limits were 60 to 140.
- [54] The QC sample type LCS for method TO-15 was outside the control limits for the analyte Ethanol. The % Recovery was reported as 167 and the control limits were 60 to 140.



ANALYTICAL RESULTS QUALIFIERS/FLAGS

Workorder: 9866055 EBE002|BETHPAGE-NY

PARAMETER QUALIFIERS/FLAGS

- [55] The QC sample type LCS for method TO-15 was outside the control limits for the analyte Isopropyl Alcohol. The % Recovery was reported as 197 and the control limits were 60 to 140.
- [56] The QC sample type LCS for method TO-15 was outside the control limits for the analyte Methylene Chloride. The % Recovery was reported as 168 and the control limits were 60 to 140.
- [57] The QC sample type LCS for method TO-15 was outside the control limits for the analyte Trichlorofluoromethane. The % Recovery was reported as 149 and the control limits were 60 to 140.
- [58] The QC sample type LCS for method TO-15 was outside the control limits for the analyte 1,2-Dichloroethane. The % Recovery was reported as 143 and the control limits were 60 to 140.
- [60] The QC sample type LCS for method TO-15 was outside the control limits for the analyte Chloroethane. The % Recovery was reported as 152 and the control limits were 60 to 140.



Analytical Laboratory Services, Inc.
 Environmental • Industrial Hygiene • Field Services

34 Dogwood Lane • Middletown, PA 17057 • 717.944.5541 • Fax: 717.944.1430

AIR ANALYSIS CHAIN-OF-CUSTODY/REQUEST FOR ANALYSIS

ALL SHADED AREAS MUST BE COMPLETED BY THE CLIENT / SAMPLER.
 INSTRUCTIONS ON THE BACK.



of

1. CLIENT INFORMATION		2. ANALYSES/METHOD REQUESTED										TO-13 ONLY (Complete at Receiving Lab)			
Client Name/Address: Site 1 Bethpage		APPROPRIATE TEST CODE/ANALYTE LIST: 1 2 3 4 5 6 7 8 9 10	No.	TO-15 Analysis	STD LIST	UST LIST	OTHER	TO-13 Analysis	STD LIST	OTHER	COMMENTS	Cooler Temp: NA	Therm. ID:		
Contact: MATT LAPP	1		X									No. of Coolers: _____	Y	N	Initial
Phone#: 267 240 3237	2		X									Custody Seals Present?			SS
Project Name#: MATT-LAPP Ecol Solutions	3		X									(if present) Seals Intact?			
Bill To: Ecol Solutions	4		X									(TO-13) Received on Ice?			
TAT <input checked="" type="checkbox"/> Normal-Standard TAT is 10-12 business days. <input type="checkbox"/> Rush-Subject to ALSI approval and surcharges.	5		X									COCLabels Complete/Accurate?			
Date Required: _____ Approved By: _____	6											Cont. In Good Cond.?			
Email? <input checked="" type="checkbox"/> -Y MATT-LAPP@EcolSolutions.com	7											Correct Containers?			
Fax? <input checked="" type="checkbox"/> -Y No: _____	8											Correct Sample Volumes?			
	9														
	10														
Courier/Tracking #: 970524306223															

SAMPLE INFORMATION FOR BOTH TO-15 AND TO-13					TO-15 FIELD DATA				TO-13 FIELD DATA				
Sample Description/Location (as it will appear on the lab report)	Sample Date	Start Time	Stop Time	Temp Deg C	1L	6L	Canister No.	Flow Controller No.	Ending Canister Pressure ("Hg)	PUF No.	Pump No.	Pump Flow Rate	Total Volume
1 SUE 106I-9/16/10	9-16	1330	1400	17.5	X		1406	7340931	-10				
2 SUE 106D-9/16/10	9-16	1330	1450	17.5	X		2299	7340931	-18				
3 SUE TI 9/16/10-01	9-16	1530	1630	17.5	X		1498	7340931	-9				
4 SUE TE-9/16/10	9-16	1530	1630	17.5	X		1206	116173	-8				
5 SUE TI-9/16/10-02	9-16	1630	1730	17.5	X		1834	7340931	-10				
6													
7													
8													
9													
10													

4. SAMPLED BY (Please Print): Brian Gansoni		LOGGED BY (signature): <i>[Signature]</i> 9/17/10 1106		5. PROJECT INFORMATION				State Samples Collected In	
REVIEWED BY (signature): <i>[Signature]</i>		Date: _____ Time: _____		<input type="checkbox"/> Standard <input type="checkbox"/> CLP-like <input type="checkbox"/> OOD <input type="checkbox"/> Other _____ EDDs: Format Type: _____ ALSI Field Services: <input type="checkbox"/> Pickup <input type="checkbox"/> Labor <input type="checkbox"/> Composite Sampling <input type="checkbox"/> Rental Equipment Other: _____				<input type="checkbox"/> NY <input type="checkbox"/> NJ <input type="checkbox"/> PA <input type="checkbox"/> NC other _____	
Relinquished By / Company Name		Date	Time	Received By / Company Name		Date	Time		
1 Brian Gansoni		9-16	1530	<i>[Signature]</i>		9/17/10	0920		
3 <i>[Signature]</i>			1730						
5									
7									
9									

ANALYTICAL LABORATORY SERVICES, INC.
 www.analyticallab.com
 NELAP Accredited NJ PA010
 34 Dogwood Lane - Middletown, PA 17057 Phone: 717-944-5541 Fax: 717-944-1430
 ACCREDITED IN ACCORDANCE WITH **nelap** WITH