

CDM

environmental engineers, scientists,
planners & management consultants

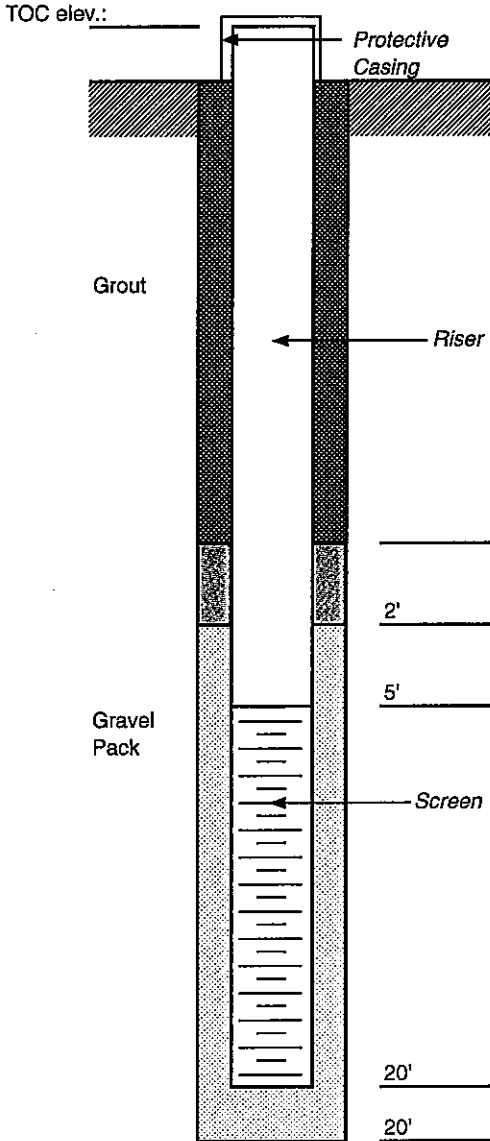
WELL CONSTRUCTION SUMMARY

Project: Standard Motor Products

Location: Long Island City, NY

Well No.: MW-14S

Permit No.: _____



Type: Flush

DRILLING SUMMARY

Drilling Company: Zebra Drillers: Luke, Charles
 Drill Rig/Model: Geoprobe 6620DT
 Borehole Diameters: 3.5" Drilling Fluid: none
 Bits/Depths: _____
 Total Depth: 20' Depth To Water: 4'
 Supervisor Geologist: Frank Robinson

WELL DESIGN

Casing Material: PVC Diameter: 2"
 Screen Material: PVC Pre-packed Diameter: 2"
 Slot Size: 20 Setting: 5-20'
 Filter Material: #2 Gravel Setting: 2-5'
 Seals Material: Bentonite chips Setting: 0-2'
 Grout: _____ Setting: _____
 Surface Casing Material: Flush Setting: _____

TIME LOG

	Started		Completed	
Drilling:	<u>01/22/08</u>	<u>955</u>	<u>01/22/08</u>	<u>1005</u>
Installation:	<u>01/22/08</u>	<u>1010</u>	<u>01/22/08</u>	<u>1030</u>
Development:	_____	_____	_____	_____

WELL DEVELOPMENT

Method: _____
 Static Depth to Water: _____
 Pumping Depth To Water: _____
 Pumping Rate: _____ Spec. Capacity: _____
 Volume Pumped: _____

CDM

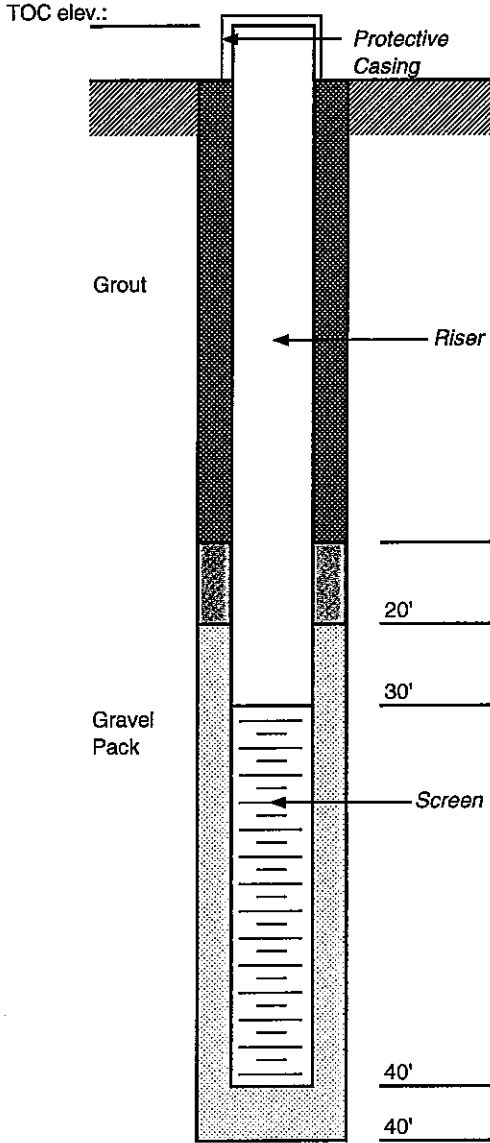
environmental engineers, scientists,
planners & management consultants

WELL CONSTRUCTION SUMMARY

Project: Standard Motor Products

Location: Long Island City, NY

Well No.: MW-14D
Permit No.: _____



DRILLING SUMMARY

Drilling Company: Zebra Drillers: Luke, Charles
 Drill Rig/Model: Geoprobe 6620DT
 Borehole Diameters: 3.5" Drilling Fluid: none
 Bits/Depths: _____
 Total Depth: 40' Depth To Water: 4'
 Supervisor Geologist: Frank Robinson

WELL DESIGN

Casing Material: PVC Diameter: 2"
 Screen Material: PVC Pre-packed Diameter: 2"
 Slot Size: 20 Setting: 30-40'
 Filter Material: #2 Gravel Setting: 20-30'
 Seals Material: Bentonite chips Setting: 0-20'
 Grout: _____ Setting: _____
 Surface Casing Material: Flush Setting: _____

TIME LOG

	Started	Completed
Drilling:	<u>01/22/08 900</u>	<u>01/22/08 925</u>
Installation:	<u>01/22/08 930</u>	<u>01/22/08 1050</u>
Development:	_____	_____

WELL DEVELOPMENT

Method: _____
 Static Depth to Water: _____
 Pumping Depth To Water: _____
 Pumping Rate: _____ Spec. Capacity: _____
 Volume Pumped: _____

CDM

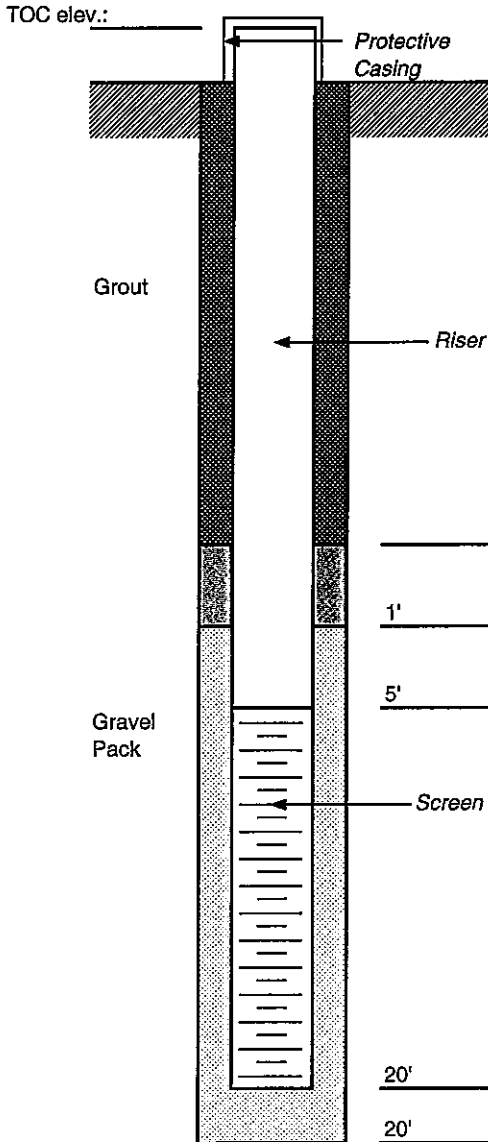
environmental engineers, scientists,
planners & management consultants

WELL CONSTRUCTION SUMMARY

Project: Standard Motor Products

Location: Long Island City, NY

Well No.: MW-15S
Permit No.: _____



DRILLING SUMMARY

Drilling Company: Zebra Drillers: Luke, John
 Drill Rig/Model: Geoprobe 6620DT
 Borehole Diameters: 3.5" Drilling Fluid: none
 Bits/Depths: _____
 Total Depth: 20' Depth To Water: 7'
 Supervisor Geologist: Frank Robinson

WELL DESIGN

Casing Material: PVC Diameter: 1"
 Screen Material: PVC Pre-packed Diameter: 1"
 Slot Size: 20 Setting: 5-20'
 Filter Material: #2 Gravel Setting: 1-5'
 Seals Material: Bentonite chips Setting: 0-1'
 Grout: _____ Setting: _____
 Surface Casing Material: Flush Setting: _____

TIME LOG

	Started		Completed
Drilling:	<u>01/29/08</u>	<u>850</u>	<u>01/29/08</u> <u>920</u>
Installation:	<u>01/29/08</u>	<u>925</u>	<u>01/29/08</u> <u>945</u>
Development:	_____	_____	_____

WELL DEVELOPMENT

Method: _____
 Static Depth to Water: _____
 Pumping Depth To Water: _____
 Pumping Rate: _____ Spec. Capacity: _____
 Volume Pumped: _____

CDM

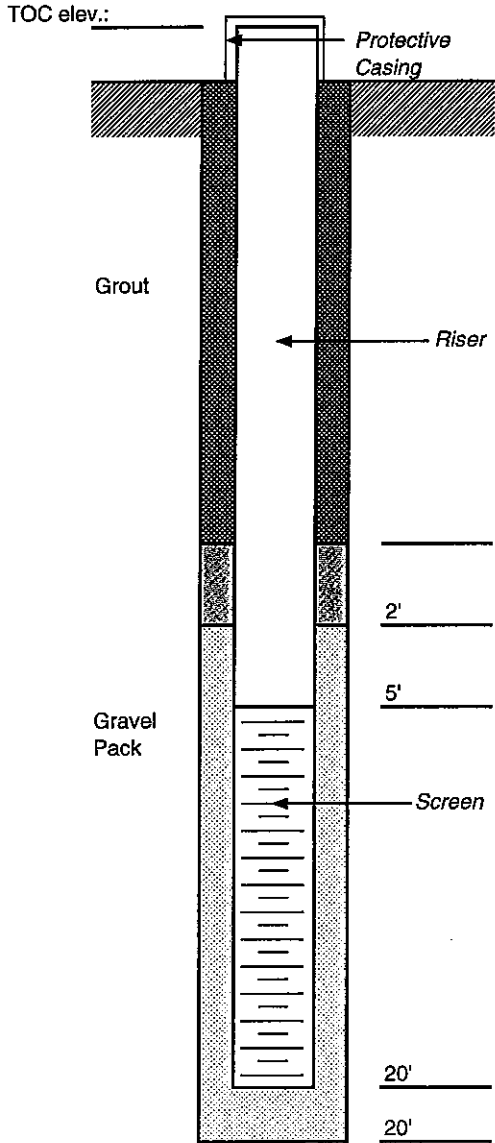
environmental engineers, scientists,
planners & management consultants

WELL CONSTRUCTION SUMMARY

Project: Standard Motor Products

Location: Long Island City, NY

Well No.: MW-16S
Permit No.: _____



DRILLING SUMMARY

Drilling Company: Zebra Drillers: Luke, Charles
 Drill Rig/Model: Geoprobe 6620DT
 Borehole Diameters: 3.5" Drilling Fluid: none
 Bits/Depths: _____
 Total Depth: 20' Depth To Water: 4'
 Supervisor Geologist: Frank Robinson

WELL DESIGN

Casing Material: PVC Diameter: 2"
 Screen Material: PVC Pre-packed Diameter: 2"
 Slot Size: 20 Setting: 5-20'
 Filter Material: #2 Gravel Setting: 2-5'
 Seals Material: Bentonite chips Setting: 0-2'
 Grout: _____ Setting: _____
 Surface Casing Material: Flush Setting: _____

TIME LOG

	Started	Completed
Drilling:	<u>01/14/08 1040</u>	<u>01/14/08 1100</u>
Installation:	<u>01/14/08 1110</u>	<u>01/14/08 1130</u>
Development:	_____	_____

WELL DEVELOPMENT

Method: _____
 Static Depth to Water: _____
 Pumping Depth To Water: _____
 Pumping Rate: _____ Spec. Capacity: _____
 Volume Pumped: _____