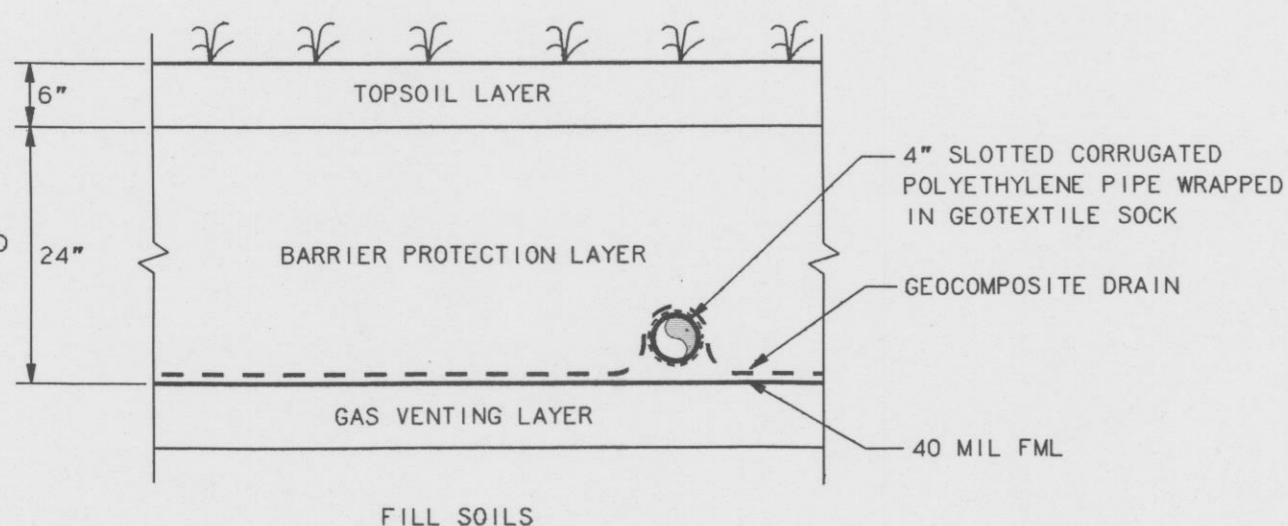
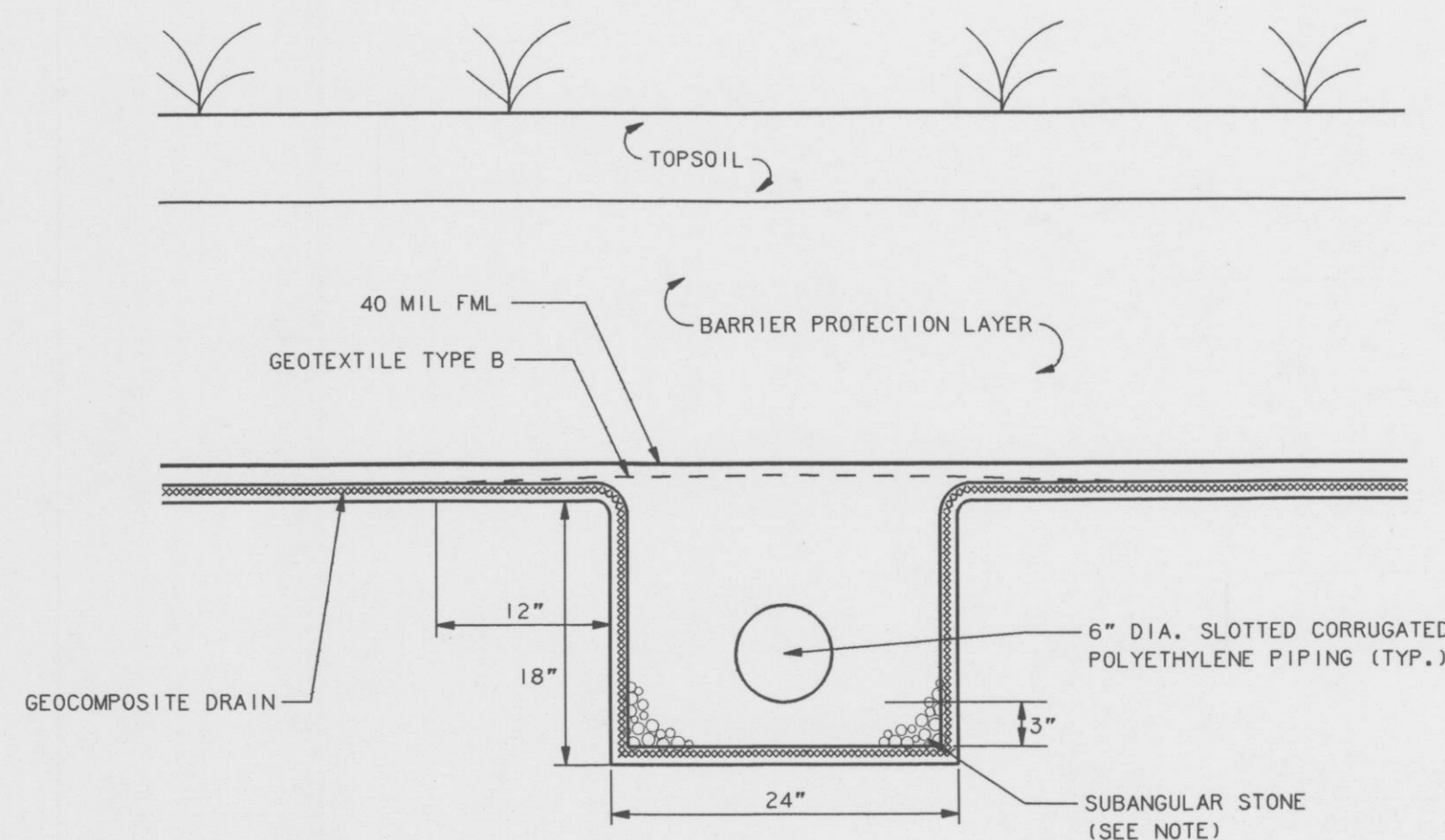


FINAL COVER DETAIL
ALTERNATE 1

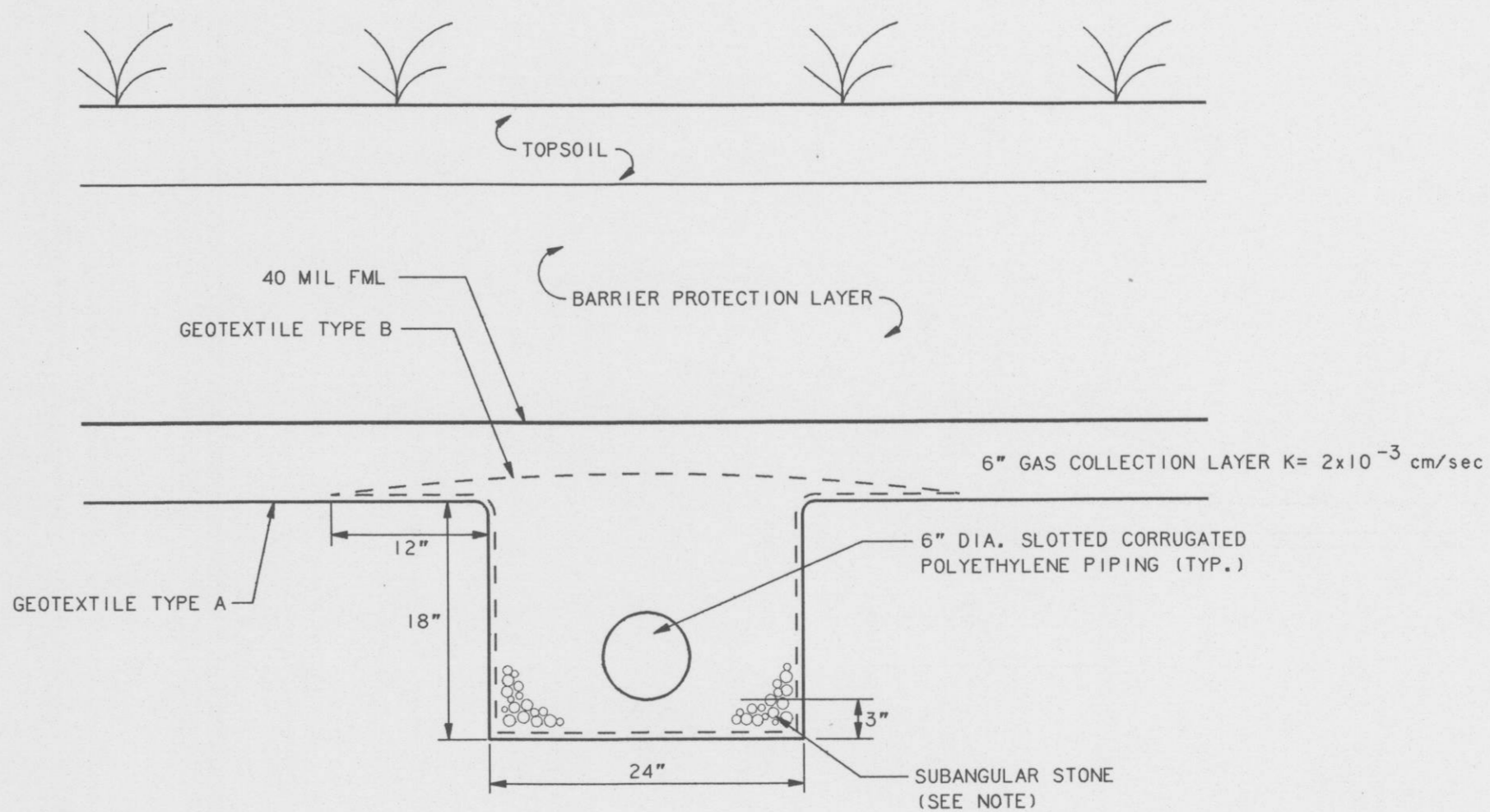


FINAL COVER DETAIL
ALTERNATE 2

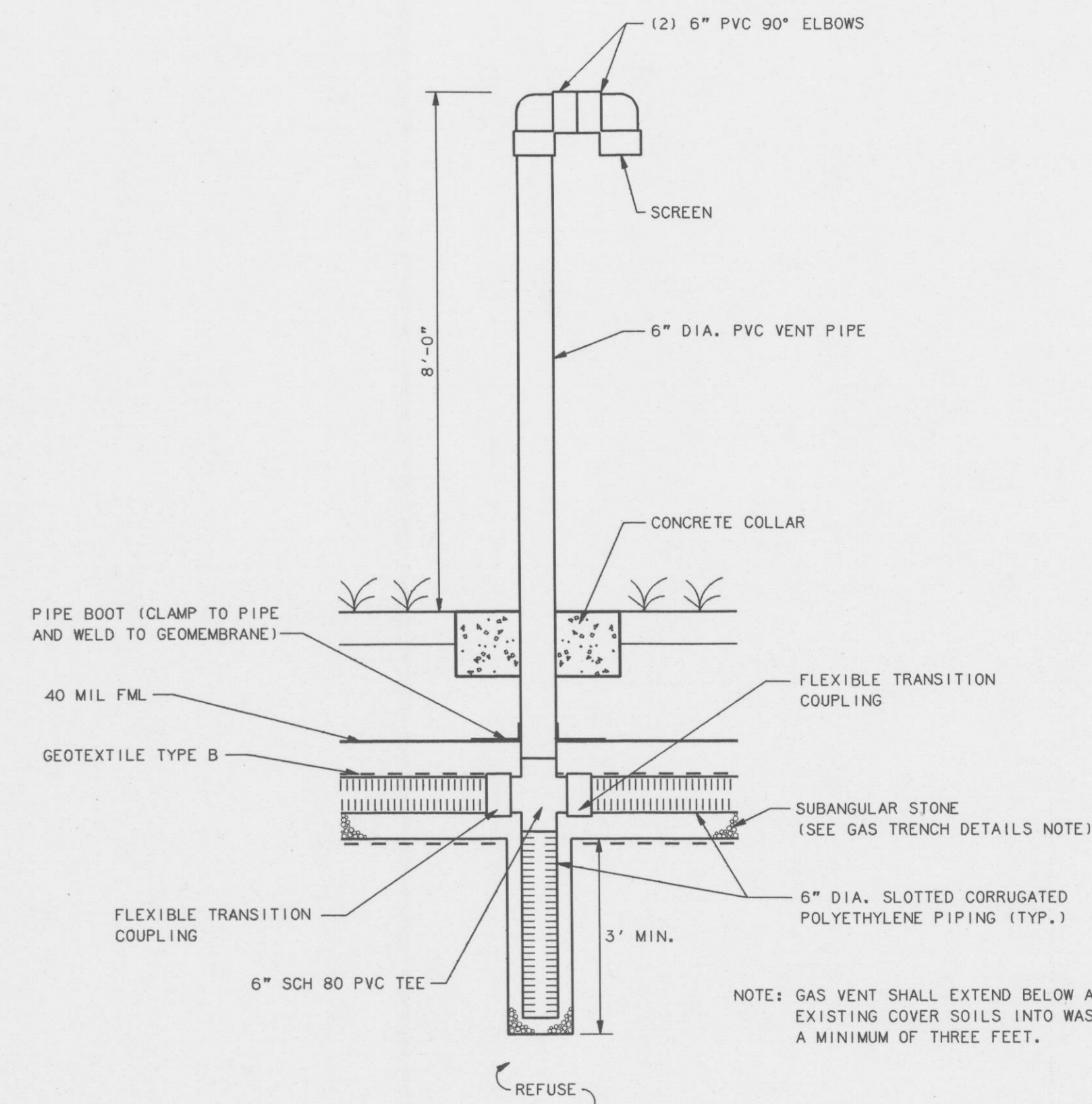
FINAL COVER DETAILS
N.T.S.



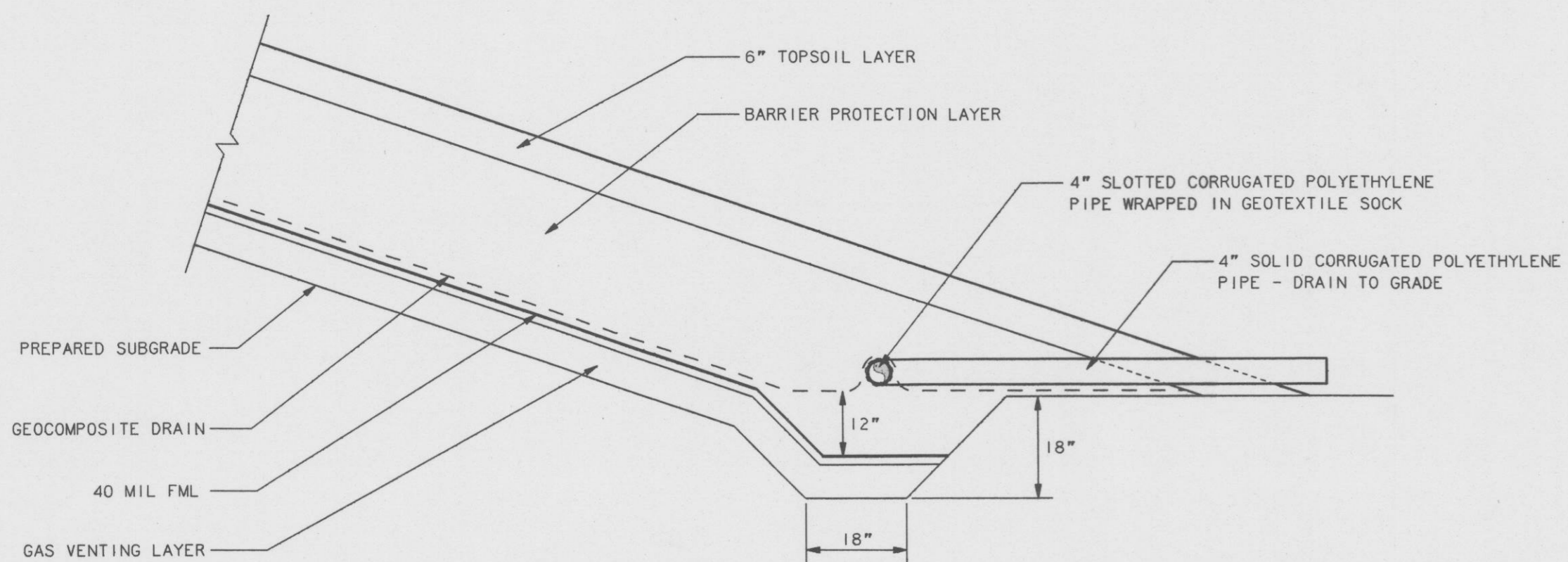
ALTERNATE 1 GAS TRENCH DETAIL
SCALE: 1"=1'



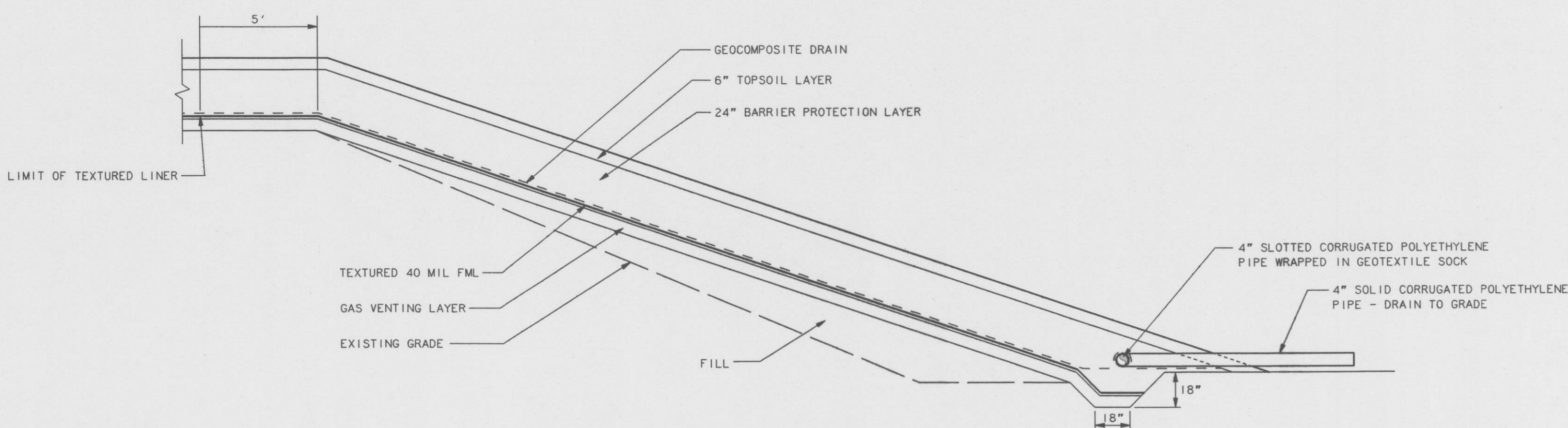
ALTERNATE 2 GAS TRENCH DETAIL
SCALE: 1"=1'



TYPICAL GAS VENT DETAIL
SCALE: 1"=2'



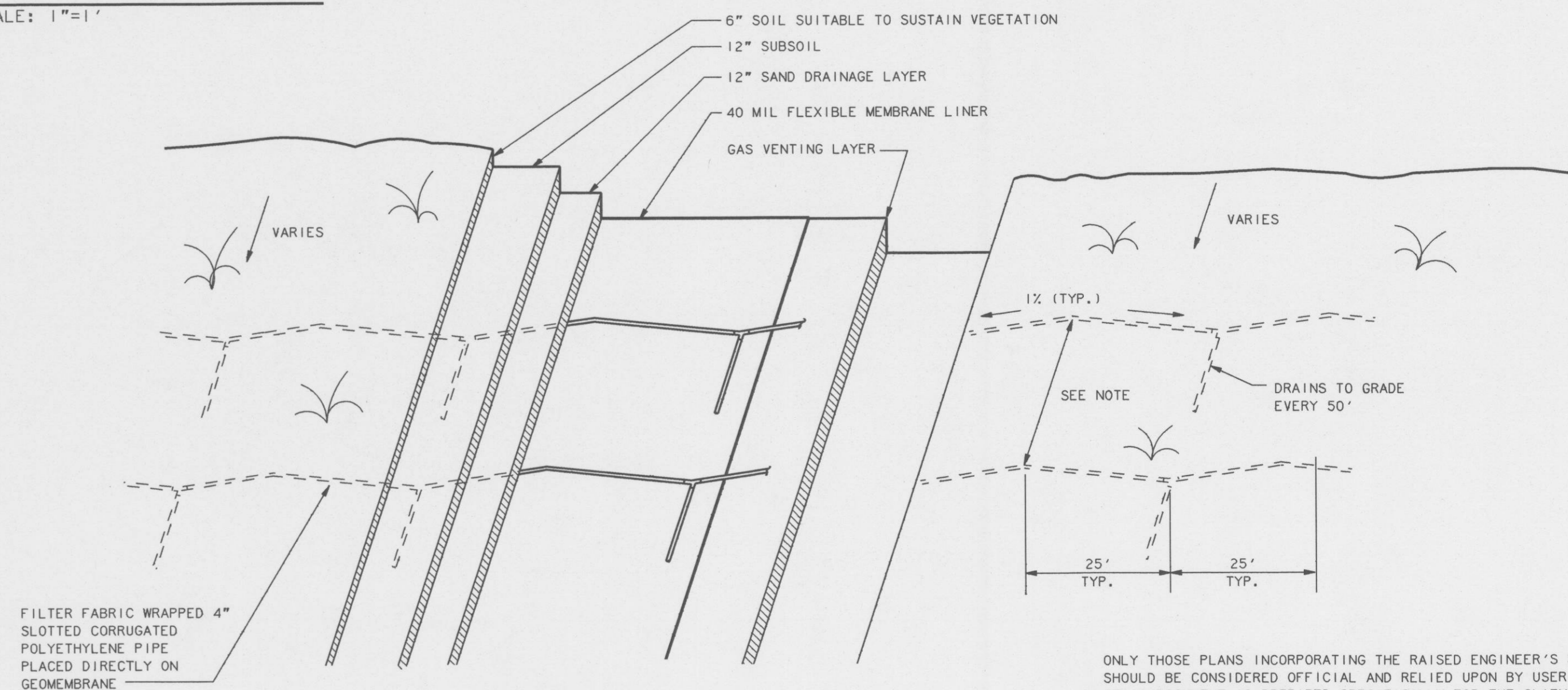
FINAL COVER ANCHOR DETAIL FOR
SLOPES LESS THAN 4 TO 1
SCALE: 1"=2'



FINAL COVER ANCHOR DETAIL FOR
SLOPES GREATER THAN 4 TO 1
SCALE: 1"=4'

NOTE: TEXTURED FML SHALL EXTEND A MINIMUM OF 5 FEET PAST THE TOP OF SLOPE.

NOTE:
1. RECYCLED GLASS MAY BE SUBSTITUTED FOR SUBANGULAR STONE WITHIN GAS COLLECTION TRENCHES FOR EITHER ALTERNATIVE



FINAL COVER DRAINAGE PIPE
N.T.S.

ONLY THOSE PLANS INCORPORATING THE RAISED ENGINEER'S SEAL SHOULD BE CONSIDERED OFFICIAL AND RELIED UPON BY USER. THIS DOCUMENT IS PREPARED SPECIFICALLY FOR THE CLIENT AND PROJECT DESIGNATED HEREON. MODIFICATION, ALTERATION, REVISION, DUPLICATION, OR USE WITHOUT THE CONSENT OF WEHRAN-NEW YORK, INC IS PROHIBITED. COPYRIGHT 1993 WEHRAN-NEW YORK, INC. ALL RIGHTS RESERVED.

IT IS A VIOLATION OF SECTION 7209, SUBDIVISION 2, OF THE NEW YORK STATE EDUCATION LAW FOR ANY PERSON UNLESS ACTING UNDER THE DIRECTION OF A LICENSED PROFESSIONAL ENGINEER OR LAND SURVEYOR TO ALTER, IN ANY WAY, PLANS, SPECIFICATIONS, PLATS OR REPORT TO WHICH THE SEAL OF A PROFESSIONAL ENGINEER OR LAND SURVEYOR HAS BEEN APPLIED UNLESS DONE SO IN CONFORMANCE WITH THE PROVISIONS OF THE ABOVE LAW.

BARRY J. CHENEY, P.E.
N.Y.P.E. Lic. No. 54349 Date

BROOME COUNTY DIVISION OF SOLID WASTE MANAGEMENT/
GAF CORPORATION
COLESVILLE LANDFILL REMEDIAL DESIGN
PRE-FINAL
TOWN OF COLESVILLE BROOME COUNTY NEW YORK

LANDFILL CAP DETAILS

NO.	DATE	REVISIONS	CHK BY:	DATE

Sheet 6 of 11
Project No. 02260.CS

DESIGN BY:	DATE

Scales
AS SHOWN