

DAILY STATUS REPORT

Prepared By: Owen Hennigan

WEATHER	Snow		Rain		Overcast		Partly Cloudy	x	Bright Sun	
TEMP.	< 32		32-50		50-70		70-85	x	>85	

Project No.:	20918.07	Date:	07-18-2022
Project Name:	589 Christopher Avenue, Brooklyn, New York		

Consultant: LaBella Associates	Safety Officer: Khalid Algende
General Contractor: Procida Construction Corp	Site Manager/ Supervisor: Jeremiah Doucet

Work Activities Performed (Since Last Report): <ul style="list-style-type: none">2 truck-loads of soil were transported offsite to a waste disposal facility.
--

Samples Collected (Since Last Report): N/A

Air Monitoring (Since Last Report): N/A
--

Problems Encountered: N/A.

Planned Activities for the Next Day/ Week: Additional soil will be transported offsite.
--

Daily Air Monitoring Record Form

68-92 New Lots Avenue, Brooklyn, NY

Site safety officer: Owen Hennigan

Date: 7/18/22

Instrument make & model PDR, Multi-RAE

Task of day/Locations Monitored

Two truck-loads of soil were transported offsite to a waste disposal facility.

Remarks:

PID in parts per million (ppm)

Dust Meter miligrams per meters cubed

Weather condition: 83oF

Wind direction: N 8 mph

Sky cover: Partly Cloudy



Air Monitoring Locations

	Time	North		South	
		PID	Dust	PID	Dust
Hour 1	8:00	0.0	0.094	0.0	0.026
Hour 2	9:00	0.0	0.036	0.0	0.005
Hour 3	10:00	0.0	0.061	0.0	0.001
Hour 4	11:00	0.0	0.059	0.0	0.003
Hour 5	12:00	0.0	0.075	0.0	0.007
Hour 6	13:00	0.0	0.061	0.0	0.008
Hour 7	14:00	0.0	0.041	0.0	0.001
Hour 8	15:00	0.0	0.033	0.0	0.000

Dust suppressant necessary: Yes or No

Dust Suppression technique used:

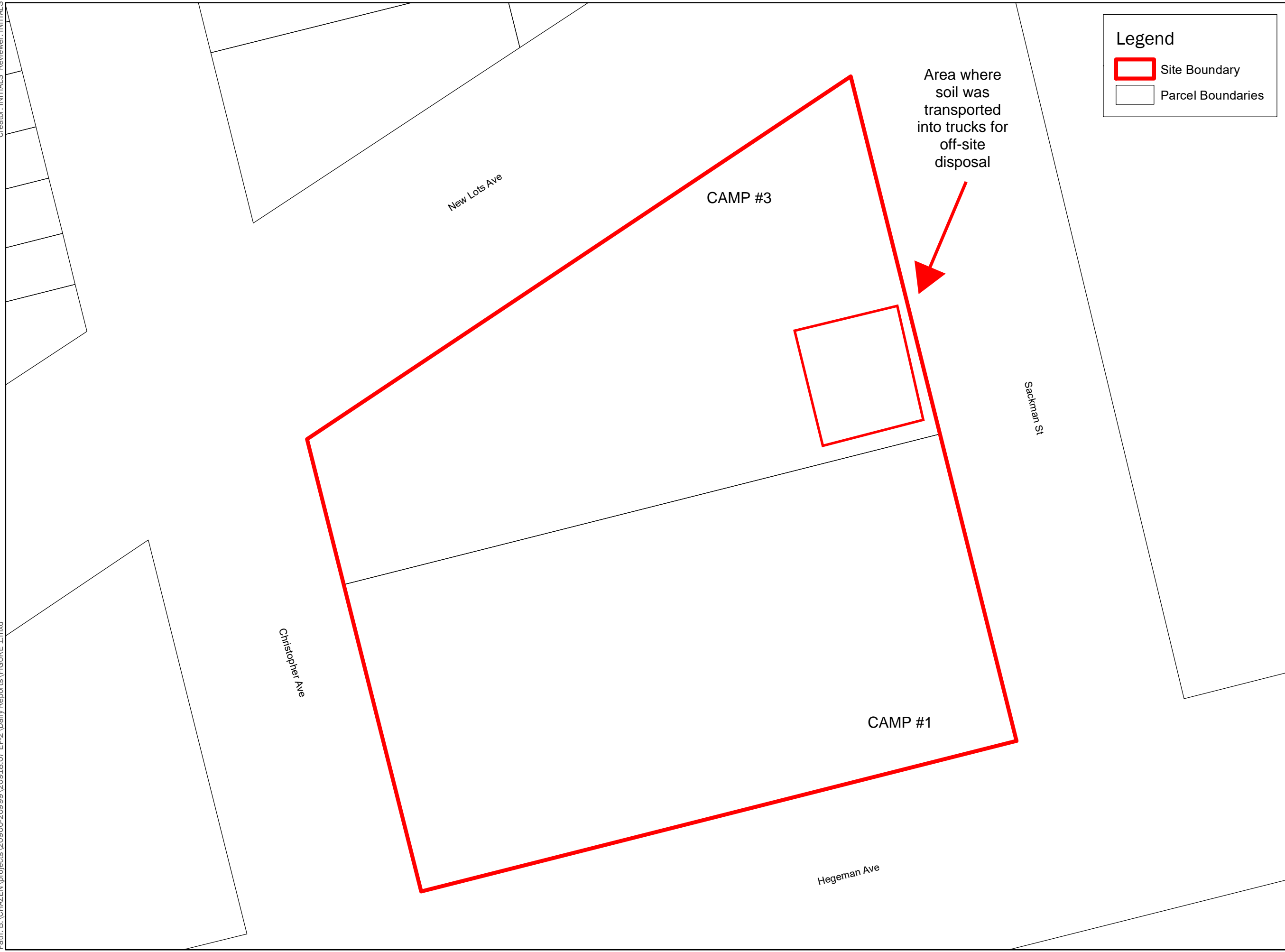
N/A

Monitoring results and comments:

N/A

Creator: INITIALS_ Reviewer: INITIALS

Path: B:\CHAZEN\projects\20900-20999\20918.07 EP-2\Daily Reports\FIGURE 1.mxd



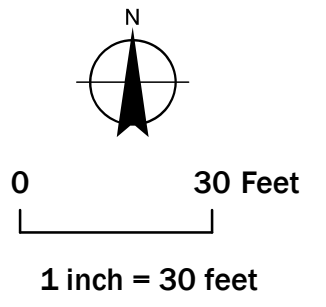
Legend

- Site Boundary
- Parcel Boundaries



**EBENEZER
PLAZA 2 SITE**

**SITE BOUNDARY
589 CHRISTOPHER AVE
BROOKLYN, NY**



LaBella Project No:20918.07
Date: 7/18/2022
11" x 17"

SITE LOCATION MAP

FIGURE 1

DAILY STATUS REPORT

Prepared By: Owen Hennigan

WEATHER	Snow	Rain	Overcast	Partly Cloudy	Bright Sun	x
TEMP.	< 32	32-50	50-70	70-85	>85	x

Project No.:	20918.07	Date:	07-20-2022
Project Name:	589 Christopher Avenue, Brooklyn, New York		

Consultant: LaBella Associates	Safety Officer: Khalid Algende
General Contractor: Procida Construction Corp	Site Manager/ Supervisor: Jeremiah Doucet

Work Activities Performed (Since Last Report): <ul style="list-style-type: none">• 28 truck-loads of soil were transported offsite to a waste disposal facility.
--

Samples Collected (Since Last Report): N/A

Air Monitoring (Since Last Report): N/A
--

Problems Encountered: N/A.

Planned Activities for the Next Day/ Week: Additional soil will be transported offsite.
--

Daily Air Monitoring Record Form

68-92 New Lots Avenue, Brooklyn, NY

Site safety officer: Owen Hennigan

Date: 7/20/22

Instrument make & model PDR, Multi-RAE

Task of day/Locations Monitored

28 truck-loads of soil were transported offsite to a waste disposal facility.

Remarks:

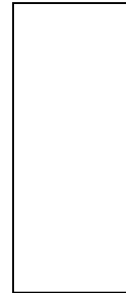
PID in parts per million (ppm)

Dust Meter miligrams per meters cubed

Weather condition: 95oF

Wind direction: N 10 mph

Sky cover: Sunny



Air Monitoring Locations

	Time	North		South	
		PID	Dust	PID	Dust
Hour 1	7:00	0.0	0.064	0.0	0.054
Hour 2	8:00	0.0	0.055	0.0	0.039
Hour 3	9:00	0.0	0.052	0.0	0.032
Hour 4	10:00	0.0	0.049	0.0	0.025
Hour 5	11:00	0.0	0.056	0.0	0.025
Hour 6	12:00	0.0	0.043	0.0	0.034
Hour 7	13:00	0.0	0.044	0.0	0.023
Hour 8	14:00	0.0	0.031	0.0	0.030
Hour 9	15:00	0.0	0.039	0.0	0.019

Dust suppressant necessary: Yes or **No**

Dust Suppression technique used:

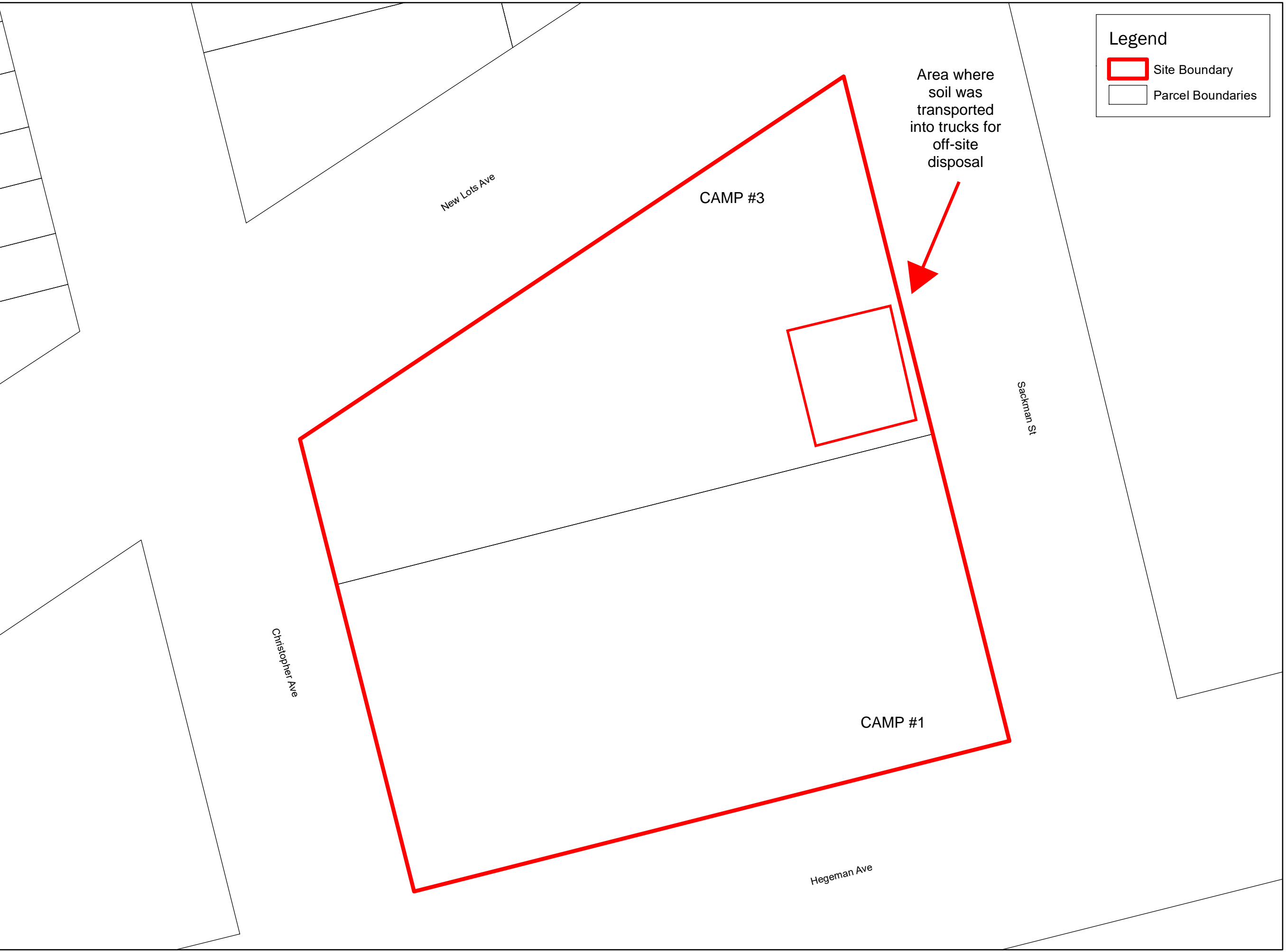
N/A

Monitoring results and comments:

N/A

Creator: INITIALS_ Reviewer: INITIALS

Path: B:\CHAZEN\projects\20900-20999\20918.07 EP-2\Daily Reports\FIGURE 1.mxd



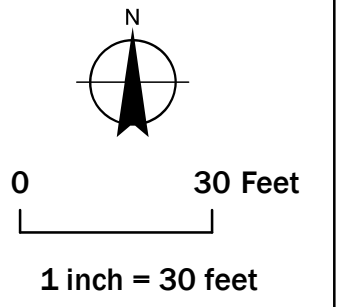
Legend

- Site Boundary
- Parcel Boundaries



**EBENEZER
PLAZA 2 SITE**

**SITE BOUNDARY
589 CHRISTOPHER AVE
BROOKLYN, NY**



LaBella Project No:20918.07
Date: 7/20/2022
11" x 17"

SITE LOCATION MAP

FIGURE 1

DAILY STATUS REPORT

Prepared By: Owen Hennigan

WEATHER	Snow		Rain		Overcast		Partly Cloudy		Bright Sun	x
TEMP.	< 32		32-50		50-70		70-85		>85	x

Project No.:	20918.07	Date:	07-21-2022
Project Name:	589 Christopher Avenue, Brooklyn, New York		

Consultant: LaBella Associates	Safety Officer: Khalid Algende
General Contractor: Procida Construction Corp	Site Manager/ Supervisor: Jeremiah Doucet

Work Activities Performed (Since Last Report): <ul style="list-style-type: none">16 truck-loads of soil were transported offsite to a waste disposal facility.

Samples Collected (Since Last Report): N/A

Air Monitoring (Since Last Report): N/A
--

Problems Encountered: N/A.

Planned Activities for the Next Day/ Week: Additional soil will be transported offsite.
--

Daily Air Monitoring Record Form

68-92 New Lots Avenue, Brooklyn, NY

Site safety officer: Owen Hennigan

Date: 7/21/22

Instrument make & model PDR, Multi-RAE

Task of day/Locations Monitored

16 truck-loads of soil were transported offsite to a waste disposal facility.

Remarks:

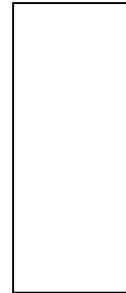
PID in parts per million (ppm)

Dust Meter miligrams per meters cubed

Weather condition: 90oF

Wind direction: N 5 mph

Sky cover: Sunny



Air Monitoring Locations

	Time	North		South	
		PID	Dust	PID	Dust
Hour 1	7:00	0.0	0.071	0.0	0.06
Hour 2	8:00	0.0	0.05	0.0	0.046
Hour 3	9:00	0.0	0.050	0.0	0.046
Hour 4	10:00	0.0	0.057	0.0	0.046
Hour 5	11:00	0.0	0.061	0.0	0.045
Hour 6	12:00	0.0	0.046	0.0	0.043
Hour 7	13:00	0.0	0.047	0.0	0.038

Dust suppressant necessary: Yes or No

Dust Suppression technique used:

N/A

Monitoring results and comments:

N/A

Creator: INITIALS_ Reviewer: INITIALS

Path: B:\CHAZEN\projects\20900-20999\20918.07_EP2_Daily Reports\FIGURE 1.mxd



Legend

- Site Boundary
- Parcel Boundaries



**EBENEZER
PLAZA 2 SITE**

**SITE BOUNDARY
589 CHRISTOPHER AVE
BROOKLYN, NY**

LaBella Project No:20918.07
Date: 7/21/2022
11" x 17"

SITE LOCATION MAP

FIGURE 1

Photo Log

Photo 1 –

16 truck-loads of soil were transported offsite to a waste disposal facility



DAILY STATUS REPORT

Prepared By: Owen Hennigan

WEATHER	Snow		Rain		Overcast		Partly Cloudy		Bright Sun	x
TEMP.	< 32		32-50		50-70		70-85		>85	x

Project No.:	20918.07	Date:	07-22-2022
Project Name:	589 Christopher Avenue, Brooklyn, New York		

Consultant: LaBella Associates	Safety Officer: Khalid Algende
General Contractor: Procida Construction Corp	Site Manager/ Supervisor: Jeremiah Doucet

Work Activities Performed (Since Last Report): <ul style="list-style-type: none">4 truck-loads of soil were transported offsite to a waste disposal facility.
--

Samples Collected (Since Last Report): N/A

Air Monitoring (Since Last Report): N/A
--

Problems Encountered: N/A.

Planned Activities for the Next Day/ Week: Additional soil will be transported offsite.
--

Daily Air Monitoring Record Form

68-92 New Lots Avenue, Brooklyn, NY

Site safety officer: Owen Hennigan

Date: 7/22/22

Instrument make & model PDR, Multi-RAE

Task of day/Locations Monitored

4 truck-loads of soil were transported offsite to a waste disposal facility.

Remarks:

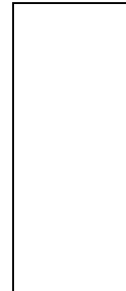
PID in parts per million (ppm)

Dust Meter miligrams per meters cubed

Weather condition: 90oF

Wind direction: S 5 mph

Sky cover: Sunny



Air Monitoring Locations

	Time	North		South	
		PID	Dust	PID	Dust
Hour 1	7:00	0.0	0.024	0.0	0.029
Hour 2	8:00	0.0	0.026	0.0	0.029
Hour 3	9:00	0.0	0.025	0.0	0.033
Hour 4	10:00	0.0	0.033	0.0	0.060
Hour 5	11:00	0.0	0.044	0.0	0.030

Dust suppressant necessary: Yes or No

Dust Suppression technique used:

N/A

Monitoring results and comments:

N/A

Creator: INITIALS_ Reviewer: INITIALS

Path: B:\CHAZEN\projects\20900-20999\20918.07 EP-2\Daily Reports\FIGURE 1.mxd



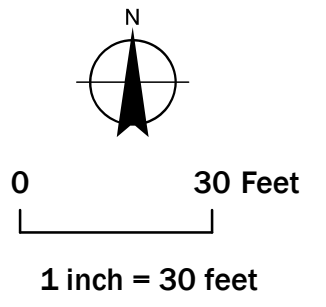
Legend

- Site Boundary
- Parcel Boundaries



**EBENEZER
PLAZA 2 SITE**

**SITE BOUNDARY
589 CHRISTOPHER AVE
BROOKLYN, NY**



LaBella Project No:20918.07
Date: 7/22/2022
11" x 17"

SITE LOCATION MAP

FIGURE 1

DAILY STATUS REPORT

Prepared By: Owen Hennigan

WEATHER	Snow	Rain	Overcast	Partly Cloudy	Bright Sun	x
TEMP.	< 32	32-50	50-70	70-85	>85	x

Project No.:	20918.07	Date:	07-23-2022
Project Name:	589 Christopher Avenue, Brooklyn, New York		

Consultant: LaBella Associates	Safety Officer: Khalid Algende
General Contractor: Procida Construction Corp	Site Manager/ Supervisor: Jeremiah Doucet

Work Activities Performed (Since Last Report): <ul style="list-style-type: none">25 truck-loads of soil were transported offsite to a waste disposal facility.

Samples Collected (Since Last Report): N/A

Air Monitoring (Since Last Report): N/A
--

Problems Encountered: N/A.

Planned Activities for the Next Day/ Week: Additional soil will be transported offsite.
--

Daily Air Monitoring Record Form

68-92 New Lots Avenue, Brooklyn, NY

Site safety officer: Owen Hennigan

Date: 7/23/22

Instrument make & model PDR, Multi-RAE

Task of day/Locations Monitored

25 truck-loads of soil were transported offsite to a waste disposal facility.

Remarks:

PID in parts per million (ppm)

Dust Meter miligrams per meters cubed

Weather condition: 90oF

Wind direction: S 5 mph

Sky cover: Sunny



Air Monitoring Locations

	Time	North		South	
		PID	Dust	PID	Dust
Hour 1	8:00	0.0	0.035	0.0	0.053
Hour 2	9:00	0.0	0.032	0.0	0.038
Hour 3	10:00	0.0	0.022	0.0	0.026
Hour 4	11:00	0.0	0.018	0.0	0.047
Hour 5	12:00	0.0	0.016	0.0	0.029

Dust suppressant necessary: Yes or No

Dust Suppression technique used:

N/A

Monitoring results and comments:

N/A

Creator: INITIALS Reviewer: INITIALS

Path: B:\CHAZEN\projects\20900-20999\20918.07 EP-2\Daily Reports\FIGURE 1.mxd



Legend

- Site Boundary
- Parcel Boundaries



**EBENEZER
PLAZA 2 SITE**

**SITE BOUNDARY
589 CHRISTOPHER AVE
BROOKLYN, NY**

LaBella Project No:20918.07
Date: 7/23/2022
11" x 17"

SITE LOCATION MAP

FIGURE 1

Photo Log

Photo 1 –

25 truck-loads of soil were transported offsite to a waste disposal facility.



DAILY STATUS REPORT

Prepared By: Owen Hennigan

WEATHER	Snow	Rain	Overcast	Partly Cloudy	Bright Sun	x
TEMP.	< 32	32-50	50-70	70-85	>85	x

Project No.:	20918.07	Date:	07-25-2022
Project Name:	589 Christopher Avenue, Brooklyn, New York		

Consultant: LaBella Associates	Safety Officer: Khalid Algende
General Contractor: Procida Construction Corp	Site Manager/ Supervisor: Jeremiah Doucet

Work Activities Performed (Since Last Report): <ul style="list-style-type: none">50 truck-loads of soil were transported offsite to a waste disposal facility.

Samples Collected (Since Last Report): N/A

Air Monitoring (Since Last Report): N/A
--

Problems Encountered: N/A.

Planned Activities for the Next Day/ Week: Additional soil will be transported offsite.
--

Daily Air Monitoring Record Form

68-92 New Lots Avenue, Brooklyn, NY

Site safety officer: Owen Hennigan

Date: 7/25/22

Instrument make & model PDR, Multi-RAE

Task of day/Locations Monitored

50 truck-loads of soil were transported offsite to a waste disposal facility.

Remarks:

PID in parts per million (ppm)

Dust Meter miligrams per meters cubed

Weather condition: 90oF

Wind direction: S 10 mph

Sky cover: Sunny



Air Monitoring Locations

	Time	North		South	
		PID	Dust	PID	Dust
Hour 1	8:00	0.0	0.027	0.0	0.075
Hour 2	9:00	0.0	0.045	0.0	0.029
Hour 3	10:00	0.0	0.040	0.0	0.070
Hour 4	11:00	0.0	0.057	0.0	0.035
Hour 5	12:00	0.0	0.051	0.0	0.042
Hour 6	13:00	0.0	0.038	0.0	0.044
Hour 7	14:00	0.0	0.030	0.0	0.040
Hour 8	15:00	0.0	0.033	0.0	0.029

Dust suppressant necessary: Yes or No

Dust Suppression technique used:

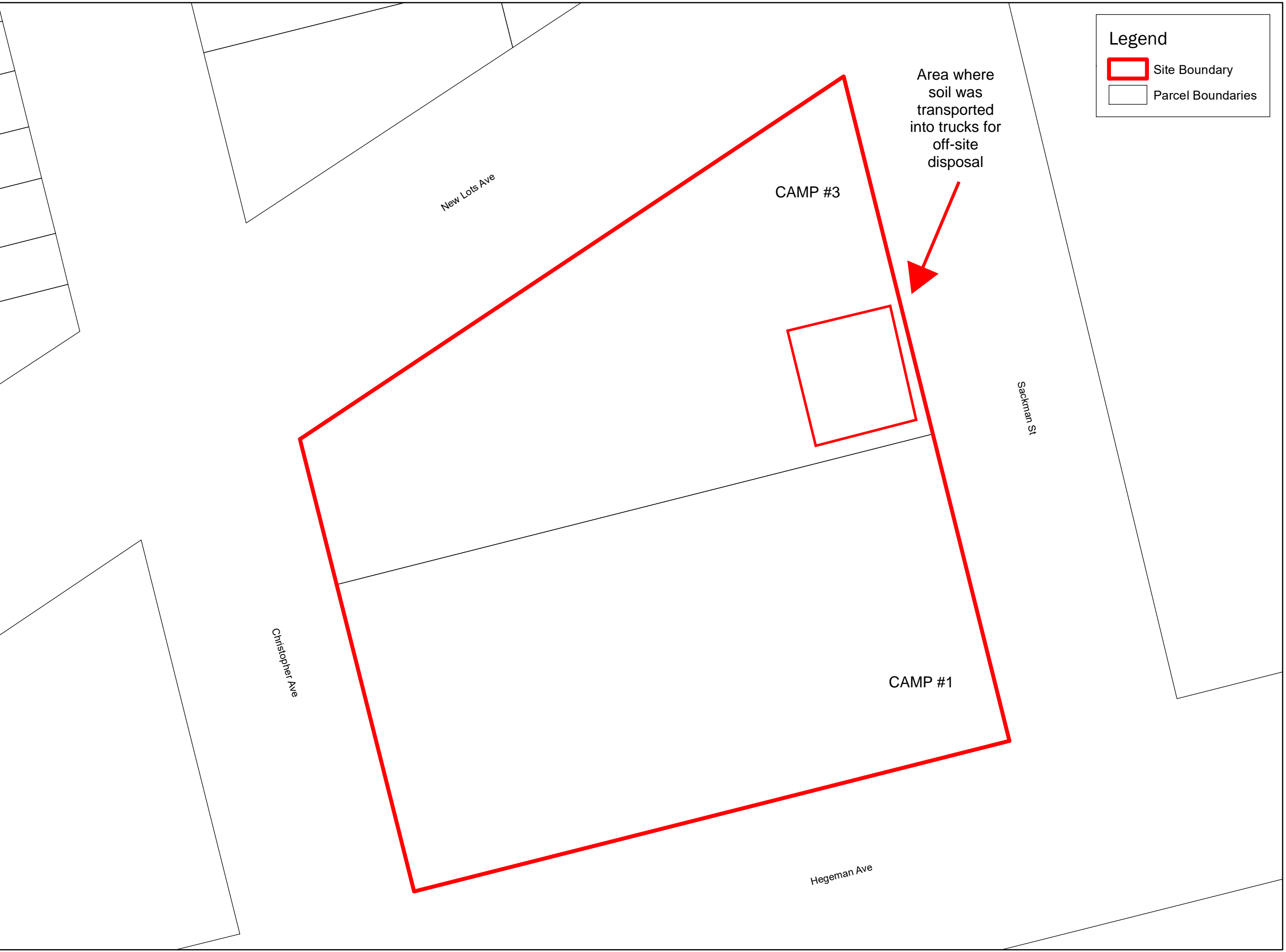
N/A

Monitoring results and comments:

N/A

Creator: INITIALS Reviewer: INITIALS

Path: B:\CHAZEN\projects\20900-20999\20918.07 EP-2\Daily Reports\FIGURE 1.mxd



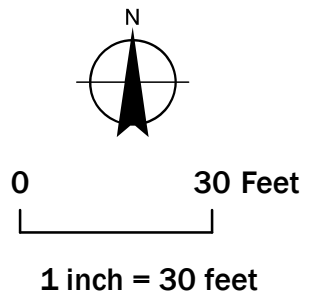
Legend

- Site Boundary
- Parcel Boundaries



**EBENEZER
PLAZA 2 SITE**

**SITE BOUNDARY
589 CHRISTOPHER AVE
BROOKLYN, NY**



LaBella Project No:20918.07
Date: 7/25/2022
11" x 17"

SITE LOCATION MAP

FIGURE 1

DAILY STATUS REPORT

Prepared By: Owen Hennigan

WEATHER	Snow	Rain	Overcast	Partly Cloudy	Bright Sun	x
TEMP.	< 32	32-50	50-70	70-85	>85	x

Project No.:	20918.07	Date:	07-26-2022
Project Name:	589 Christopher Avenue, Brooklyn, New York		

Consultant: LaBella Associates	Safety Officer: Khalid Algende
General Contractor: Procida Construction Corp	Site Manager/ Supervisor: Jeremiah Doucet

Work Activities Performed (Since Last Report): <ul style="list-style-type: none">24 truck-loads of soil were transported offsite to a waste disposal facility.
--

Samples Collected (Since Last Report): N/A

Air Monitoring (Since Last Report): N/A
--

Problems Encountered: N/A.

Planned Activities for the Next Day/ Week: Additional soil will be transported offsite.
--

Daily Air Monitoring Record Form

68-92 New Lots Avenue, Brooklyn, NY

Site safety officer: Owen Hennigan

Date: 7/26/22

Instrument make & model PDR, Multi-RAE

Task of day/Locations Monitored

24 truck-loads of soil were transported offsite to a waste disposal facility.

Remarks:

PID in parts per million (ppm)

Dust Meter miligrams per meters cubed

Weather condition: 90oF

Wind direction: N 10 mph

Sky cover: Sunny



Air Monitoring Locations

	Time	North		South	
		PID	Dust	PID	Dust
Hour 1	8:00	0.0	0.01	0.0	0.035
Hour 2	9:00	0.0	0.01	0.0	0.009
Hour 3	10:00	0.0	0.016	0.0	0.019
Hour 4	11:00	0.0	0.018	0.0	0.016
Hour 5	12:00	0.0	0.020	0.0	0.017
Hour 6	13:00	0.0	0.010	0.0	0.016
Hour 7	14:00	0.0	0.014	0.0	0.017
Hour 8	15:00	0.0	0.008	0.0	0.017

Dust suppressant necessary: Yes or **No**

Dust Suppression technique used:

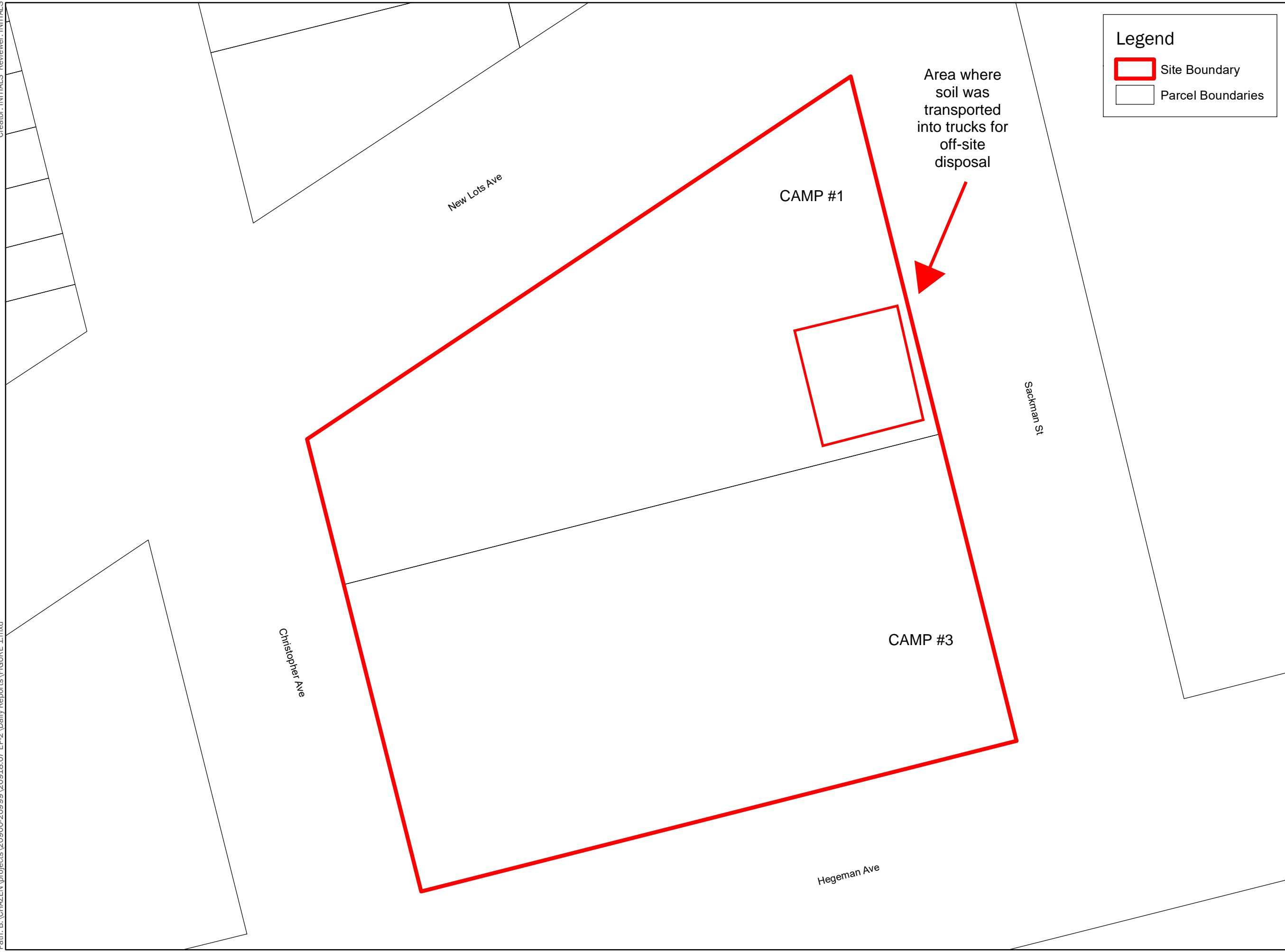
N/A

Monitoring results and comments:

N/A

Creator: INITIALS_ Reviewer: INITIALS

Path: B:\CHAZEN\projects\20900-20999\20918.07 EP-2\Daily Reports\FIGURE 1.mxd



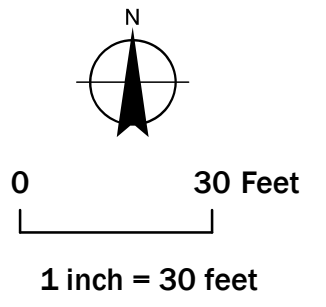
Legend

- Site Boundary
- Parcel Boundaries



**EBENEZER
PLAZA 2 SITE**

**SITE BOUNDARY
589 CHRISTOPHER AVE
BROOKLYN, NY**



LaBella Project No:20918.07
Date: 7/26/2022
11" x 17"

SITE LOCATION MAP

FIGURE 1

DAILY STATUS REPORT

Prepared By: Owen Hennigan

WEATHER	Snow	Rain	Overcast	Partly Cloudy	Bright Sun	x
TEMP.	< 32	32-50	50-70	70-85	>85	x

Project No.:	20918.07	Date:	07-27-2022
Project Name:	589 Christopher Avenue, Brooklyn, New York		

Consultant: LaBella Associates	Safety Officer: Khalid Algende
General Contractor: Procida Construction Corp	Site Manager/ Supervisor: Jeremiah Doucet

Work Activities Performed (Since Last Report): <ul style="list-style-type: none">26 truck-loads of soil were transported offsite to a waste disposal facility.
--

Samples Collected (Since Last Report): N/A

Air Monitoring (Since Last Report): N/A
--

Problems Encountered: N/A.

Planned Activities for the Next Day/ Week: Additional soil will be transported offsite.
--

Daily Air Monitoring Record Form

68-92 New Lots Avenue, Brooklyn, NY

Site safety officer: Owen Hennigan

Date: 7/27/22

Instrument make & model PDR, Multi-RAE

Task of day/Locations Monitored

26 truck-loads of soil were transported offsite to a waste disposal facility.

Remarks:

PID in parts per million (ppm)

Dust Meter miligrams per meters cubed

Weather condition: 90oF

Wind direction: N 8 mph

Sky cover: Sunny



Air Monitoring Locations

	Time	North		South	
		PID	Dust	PID	Dust
Hour 1	8:00	0.0	0.013	0.0	0.015
Hour 2	9:00	0.0	0.006	0.0	0.008
Hour 3	10:00	0.0	0.010	0.0	0.010
Hour 4	11:00	0.0	0.009	0.0	0.011
Hour 5	12:00	0.0	0.025	0.0	0.013
Hour 6	13:00	0.0	0.013	0.0	0.018
Hour 7	14:00	0.0	0.013	0.0	0.015
Hour 8	15:00	0.0	0.012	0.0	0.025

Dust suppressant necessary: Yes or **No**

Dust Suppression technique used:

N/A

Monitoring results and comments:

N/A

Creator: INITIALS_ Reviewer: INITIALS

Path: B:\CHAZEN\projects\20900-20999\20918.07 EP-2\Daily Reports\FIGURE 1.mxd



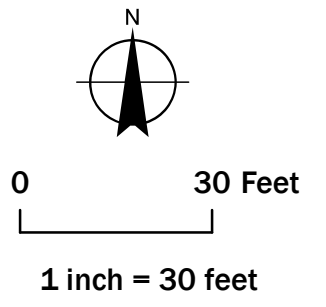
Legend

- Site Boundary
- Parcel Boundaries



**EBENEZER
PLAZA 2 SITE**

**SITE BOUNDARY
589 CHRISTOPHER AVE
BROOKLYN, NY**



LaBella Project No:20918.07
Date: 7/27/2022
11" x 17"

SITE LOCATION MAP

FIGURE 1

DAILY STATUS REPORT

Prepared By: Owen Hennigan

WEATHER	Snow		Rain		Overcast		Partly Cloudy		Bright Sun	x
TEMP.	< 32		32-50		50-70		70-85		>85	x

Project No.:	20918.07	Date:	07-28-2022
Project Name:	589 Christopher Avenue, Brooklyn, New York		

Consultant: LaBella Associates	Safety Officer: Khalid Algende
General Contractor: Procida Construction Corp	Site Manager/ Supervisor: Jeremiah Doucet

Work Activities Performed (Since Last Report): <ul style="list-style-type: none">20 truck-loads of soil were transported offsite to a waste disposal facility.

Samples Collected (Since Last Report): N/A

Air Monitoring (Since Last Report): N/A
--

Problems Encountered: N/A.

Planned Activities for the Next Day/ Week: Additional soil will be transported offsite.
--

Daily Air Monitoring Record Form

68-92 New Lots Avenue, Brooklyn, NY

Site safety officer: Owen Hennigan

Date: 7/28/22

Instrument make & model PDR, Multi-RAE

Task of day/Locations Monitored

20 truck-loads of soil were transported offsite to a waste disposal facility.

Remarks:

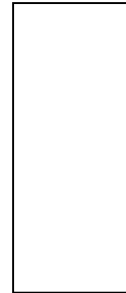
PID in parts per million (ppm)

Dust Meter miligrams per meters cubed

Weather condition: 87oF

Wind direction: N 5 mph

Sky cover: Sunny



Air Monitoring Locations

	Time	North		South	
		PID	Dust	PID	Dust
Hour 1	8:00	0.0	0.024	0.0	0.027
Hour 2	9:00	0.0	0.02	0.0	0.021
Hour 3	10:00	0.0	0.027	0.0	0.026
Hour 4	11:00	0.0	0.034	0.0	0.065
Hour 5	12:00	0.0	0.034	0.0	0.037
Hour 6	13:00	0.0	0.039	0.0	0.039
Hour 7	14:00	0.0	0.046	0.0	0.034
Hour 8	15:00	0.0	0.041	0.0	0.081

Dust suppressant necessary: Yes or **No**

Dust Suppression technique used:

N/A

Monitoring results and comments:

N/A

Creator: INITIALS Reviewer: INITIALS

Path: B:\CHAZEN\projects\20900-20999\20918.07 EP-2\Daily Reports\FIGURE 1.mxd



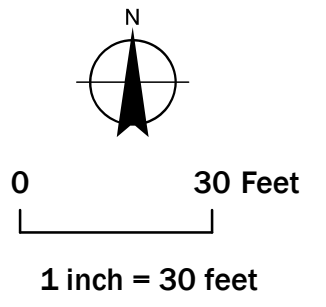
Legend

- Site Boundary
- Parcel Boundaries



**EBENEZER
PLAZA 2 SITE**

**SITE BOUNDARY
589 CHRISTOPHER AVE
BROOKLYN, NY**



LaBella Project No:20918.07
Date: 7/28/2022
11" x 17"

SITE LOCATION MAP

FIGURE 1

DAILY STATUS REPORT

Prepared By: Owen Hennigan

WEATHER	Snow		Rain		Overcast		Partly Cloudy		Bright Sun	x
TEMP.	< 32		32-50		50-70		70-85		>85	x

Project No.:	20918.07	Date:	07-29-2022
Project Name:	589 Christopher Avenue, Brooklyn, New York		

Consultant: LaBella Associates	Safety Officer: Khalid Algende
General Contractor: Procida Construction Corp	Site Manager/ Supervisor: Jeremiah Doucet

Work Activities Performed (Since Last Report): <ul style="list-style-type: none">• 21 truck-loads of soil were transported offsite to a waste disposal facility.• Soil was taken from grids 1 (0-5) and grid 10 (0-5). Supplemental delineation activities may begin later next week.
--

Samples Collected (Since Last Report): N/A

Air Monitoring (Since Last Report): N/A
--

Problems Encountered: N/A.

Planned Activities for the Next Day/ Week: Additional soil will be transported offsite.
--

Daily Air Monitoring Record Form

68-92 New Lots Avenue, Brooklyn, NY

Site safety officer: Owen Hennigan

Date: 7/29/22

Instrument make & model PDR, Multi-RAE

Task of day/Locations Monitored

21 truck-loads of soil were transported offsite to a waste disposal facility.

Remarks:

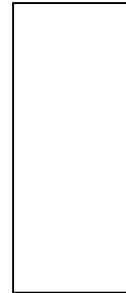
PID in parts per million (ppm)

Dust Meter miligrams per meters cubed

Weather condition: 85oF

Wind direction: N 5 mph

Sky cover: Sunny



Air Monitoring Locations

	Time	North		South	
		PID	Dust	PID	Dust
Hour 1	8:00	0.0	0.029	0.0	0.028
Hour 2	9:00	0.0	0.038	0.0	0.041
Hour 3	10:00	0.0	0.026	0.0	0.033
Hour 4	11:00	0.0	0.031	0.0	0.030
Hour 5	12:00	0.0	0.032	0.0	0.035
Hour 6	13:00	0.0	0.026	0.0	0.033
Hour 7	14:00	0.0	0.027	0.0	0.021

Dust suppressant necessary: Yes or No

Dust Suppression technique used:

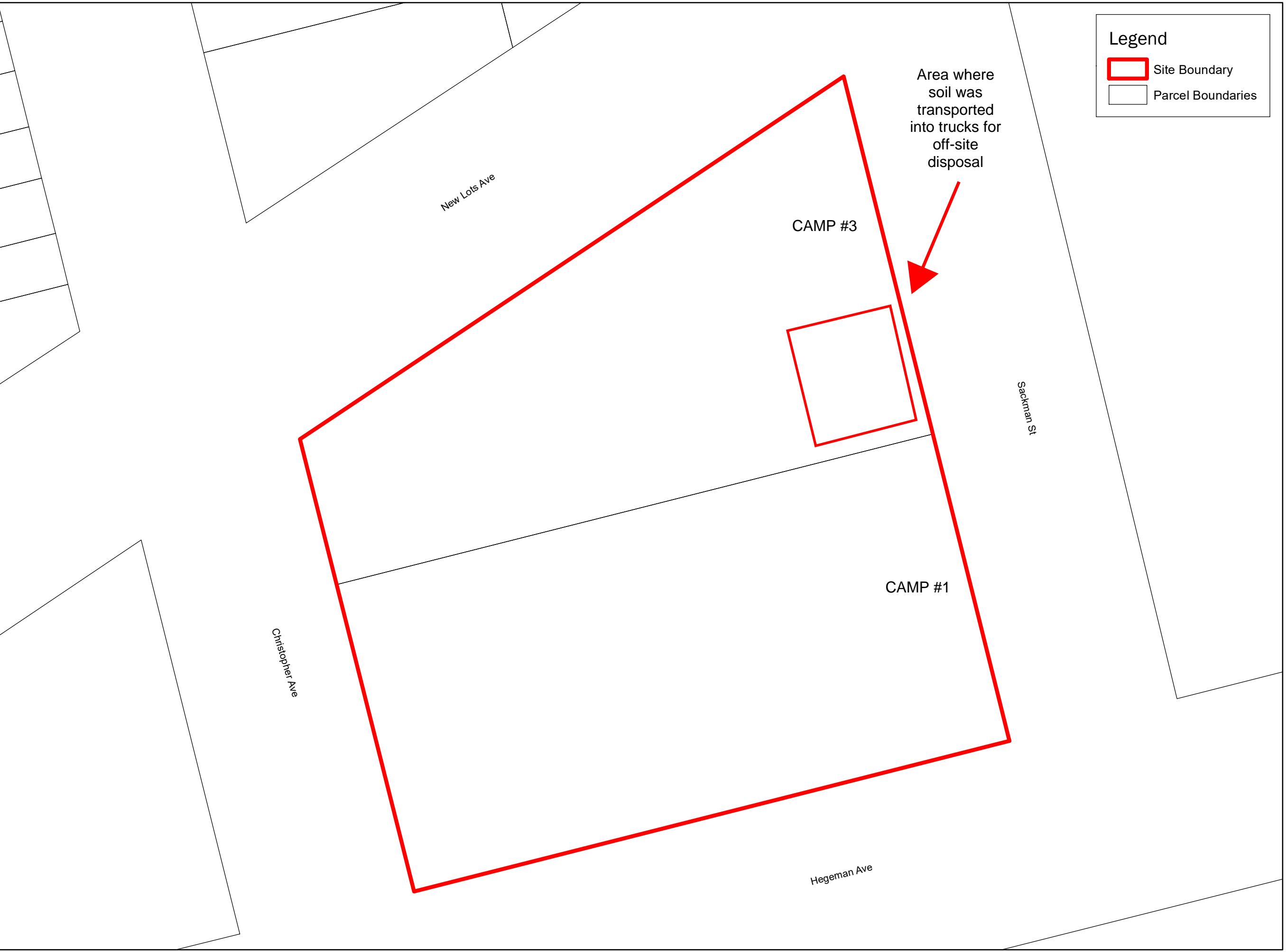
N/A

Monitoring results and comments:

N/A

Creator: INITIALS Reviewer: INITIALS

Path: B:\CHAZEN\projects\20900-20999\20918.07 EP-2\Daily Reports\FIGURE 1.mxd



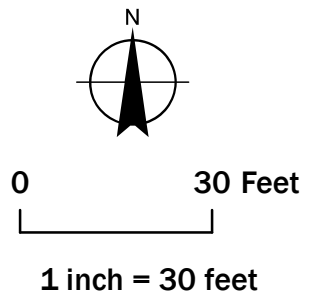
Legend

- Site Boundary
- Parcel Boundaries



**EBENEZER
PLAZA 2 SITE**

**SITE BOUNDARY
589 CHRISTOPHER AVE
BROOKLYN, NY**



LaBella Project No:20918.07
Date: 7/29/2022
11" x 17"

SITE LOCATION MAP

FIGURE 1