



DAILY STATUS REPORT

Prepared By:
Nicole Scalla

WEATHER	Snow		Rain	X	Overcast	X	Partly Cloudy		Bright Sun	Wind
TEMP.	< 32		32-50		50-70	X	70-85		>85	NNE - 8 mph

IEC Project No:	13928	NYSDEC BCP Site No:	C224367	Date:	5/2/23
Project:	251 Douglass Street, Brooklyn, NY				

<p>Consultant: Impact Environmental Engineering and Geology, PLLC (IEEG)</p> <p>Time On: 06:30 Time Out: 14:30</p>	<p>Personnel On Site: IEEG (Environmental) – Nicole Scalla Coastal Environmental Services – Drilling Contractor PAL Environmental Services (PAL) – Test Pit excavation contractor</p> <p>Equipment On Site: Fraste Eijkelkamp SonicSampDrill Drill Rig, Excavator.</p>
---	--

<p><u>Scope of Work:</u></p> <ul style="list-style-type: none"> Installation of seven (7) cluster wells per the <i>GCM/NAPL Mobility Assessment Work Plan</i>, approved by the NYSDEC on April 25, 2023 <p><u>Site Activities:</u></p> <ul style="list-style-type: none"> CAMP deployed at the start of the work day; Coastal mobilized to CW-2 cluster well. Utilizing a sonic drill rig, CW-2-85 was completed to 85 fbg. The well was screened from the 75-85 fbg interval; Coastal mobilized to CW-3 cluster wells. Utilizing a sonic drill rig, CW-3-80 was completed to 80 fbg. The well was screened from the 70-80 fbg interval; CW-3-75 was started and advanced to 65 fbg and will be completed on May 3, 2023; GES and PAL Environmental Services were on-site to dig test pits for geotechnical purposes (work approved in RWIP) <ul style="list-style-type: none"> Two test pits were advanced (it should be noted that all material excavated was placed on poly) on the southeastern portion of site. The test pits were unable to be completed due to thick concrete pad encountered-believed to be an old foundation. The material stockpiled was placed back in the test pit locations from which it came. A concrete saw will be utilized Thursday May 4, 2023 to complete test pits. Proper decontamination procedures between wells and after drilling concluded for the day were conducted within the decon/containment area. All IDW was placed in labeled 55-gallon steel drums that will be stored on-site. <p><u>Community Air Monitoring Program (CAMP) -</u> CAMP action level for dust (0.1 mg/m3) and VOCs (5 ppm)</p> <ul style="list-style-type: none"> PID remained at nominal levels throughout the day; No sustained dust exceedances were observed over a 1-min period during monitoring;
--

- Prestart Upwind Conditions – PID = _0.0_ ppm, Dust = _0.103_ mg/m³ @ 06:45. **High initial reading due to moisture buildup overnight.
- High Conditions (Upwind) – PID = _0.0_ ppm, Dust = _0.103_ mg/m³ @ 06:45.
- High Conditions (Downwind) – PID = _0.0_ ppm, Dust = _0.026_ @ 09:00.

Notable Site Conditions:

- See Site Activities.

Planned Activities for the Next Week(s):

- Continued installation of cluster wells; and
- PAL to conduct test pit installation on 5/4/23.

Photo Log

251 Douglass Street, Brooklyn, NY



Photo 1 –

Representative view of site at beginning of workday with advancement of wells in CW-2.



Photo 2 –

Representative photo of sonic drilling activities at cluster well location CW-2-85.



Photo 3 –
Representative
view of 2" well
casing
installation for
CW-2-85.



Photo 5 –
Representative
photo of
advancement of
one (1) or the
two (2) test pits
by PAL.



Photo 6 –
Representative
photo of CW-2-
85.



Photo 7 –
Representative
photo of CW-3
cluster well
location.



Photo 8 –
Representative
photo of sonic
drilling activities
at CW-3-80.



Photo 9 –
Representative
photo of
mudpan at CW-
3-80 cluster well
location. MGP
Coal Tar is
visible, this
material was
drummed.



Photo 10 –
Representative
photo of sonic
drilling activities
at CW-3-75.



Site Plan

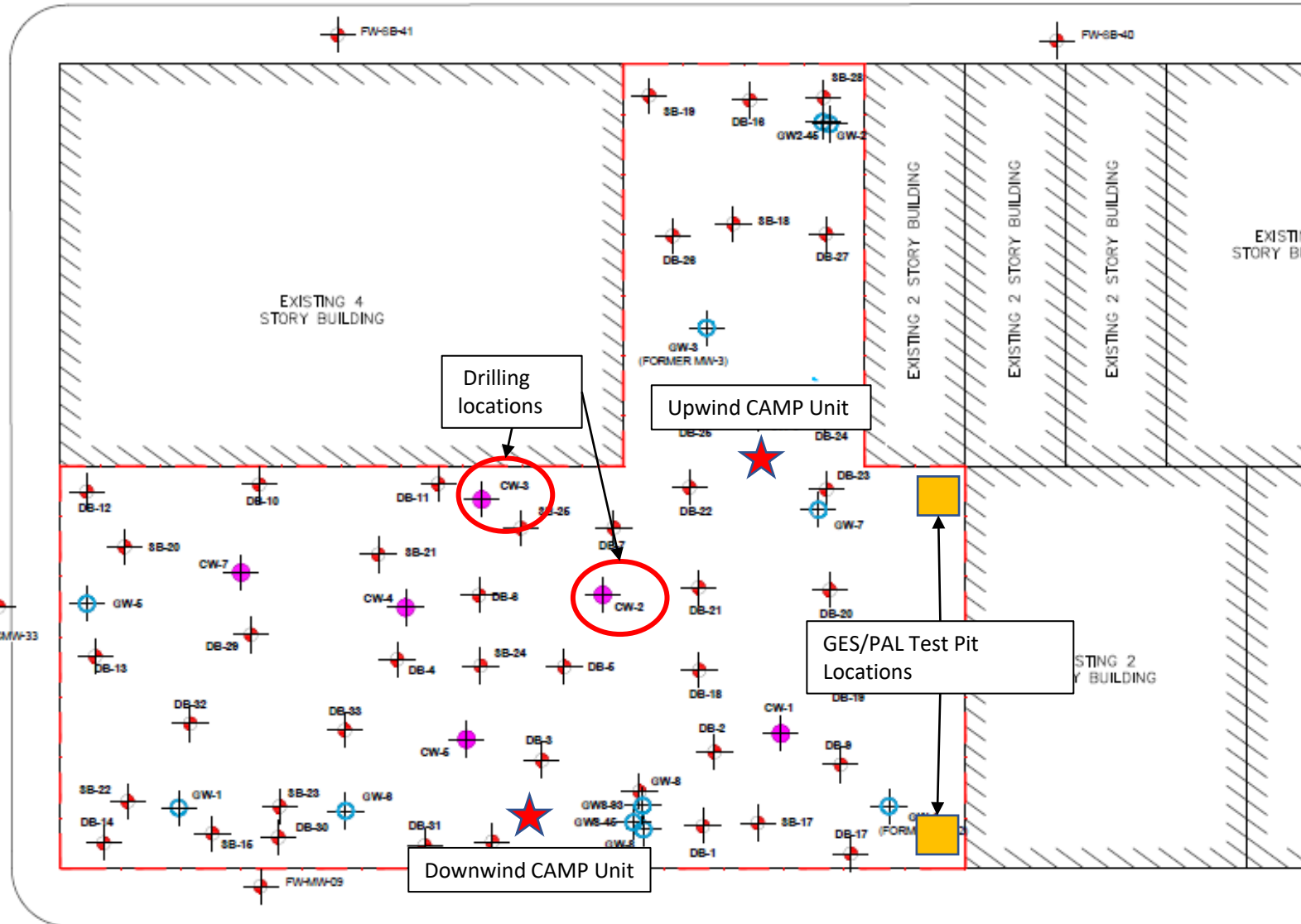
251 Douglass Street, Brooklyn, NY



BUTLER STREET

NEVINS STREET

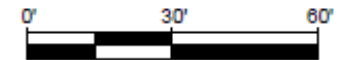
DOUGLASS STREET



LEGEND

- PROPERTY LINE
- SOIL BORING LOCATION
- MONITORING WELL LOCATION
- PROPOSED CLUSTER WELL LOCATION

PROJECT



NOTES:

PROPOSED CLUSTER WELLS

251 Douglas Street
Brooklyn, New York

Plate# 9

PROJECT NO.	DATE
DESIGNED BY	DATE
DRAWN BY	DATE
CHECKED BY	DATE
SCALE	DATE
NO. OF SHEETS	DATE
DATE	DATE
SCALE	DATE
NO. OF SHEETS	DATE
DATE	DATE
SCALE	DATE
NO. OF SHEETS	DATE

IMPACT ENVIRONMENTAL CLOSURES, INC.

170 KEYLAND COURT
BOHEMIA, NEW YORK 11716
TEL (631) 269-8800
FAX (631) 269-1599



UPWIND Air Monitor

251 Douglass Street, Brooklyn, NY



Instrument Name	DustTrak II
Model Number	8530
Serial Number	8530171406
Firmware Version	3.1
Calibration Date	5/24/2022
Test Name	MANUAL_004
Test Start Time	6:44:40 AM
Test Start Date	5/2/2023
Test Length [D:H:M]	0:07:00
Test Interval [M:S]	1:00
Mass Average [mg/m3]	0.009
Mass Minimum [mg/m3]	0.004
Mass Maximum [mg/m3]	0.103
Mass TWA [mg/m3]	0.008
Photometric User Cal	1
Flow User Cal	0
Errors	
Number of Samples	420

Elapsed Time [s]	Mass [mg/m3]	PID (ppmv)	Alarms	Errors
0 6:44:40 AM	0			
60 6:45:40 AM	0.103		0.0	
120 6:46:40 AM	0.006		0.0	
180 6:47:40 AM	0.006		0.0	
240 6:48:40 AM	0.005		0.0	
300 6:49:40 AM	0.007		0.0	
360 6:50:40 AM	0.005		0.0	
420 6:51:40 AM	0.005		0.0	
480 6:52:40 AM	0.006		0.0	
540 6:53:40 AM	0.005		0.0	
600 6:54:40 AM	0.007		0.0	
660 6:55:40 AM	0.006		0.0	
720 6:56:40 AM	0.007		0.0	
780 6:57:40 AM	0.006		0.0	
840 6:58:40 AM	0.006		0.0	
900 6:59:40 AM	0.006		0.0	
960 7:00:40 AM	0.006		0.0	
1020 7:01:40 AM	0.007		0.0	
1080 7:02:40 AM	0.005		0.0	
1140 7:03:40 AM	0.005		0.0	
1200 7:04:40 AM	0.004		0.0	
1260 7:05:40 AM	0.005		0.0	
1320 7:06:40 AM	0.005		0.0	
1380 7:07:40 AM	0.005		0.0	
1440 7:08:40 AM	0.004		0.0	
1500 7:09:40 AM	0.004		0.0	
1560 7:10:40 AM	0.005		0.0	

1620	7:11:40 AM	0.005	0.0
1680	7:12:40 AM	0.005	0.0
1740	7:13:40 AM	0.007	0.0
1800	7:14:40 AM	0.006	0.0
1860	7:15:40 AM	0.005	0.0
1920	7:16:40 AM	0.005	0.0
1980	7:17:40 AM	0.005	0.0
2040	7:18:40 AM	0.007	0.0
2100	7:19:40 AM	0.006	0.0
2160	7:20:40 AM	0.008	0.0
2220	7:21:40 AM	0.015	0.0
2280	7:22:40 AM	0.01	0.0
2340	7:23:40 AM	0.013	0.0
2400	7:24:40 AM	0.013	0.0
2460	7:25:40 AM	0.011	0.0
2520	7:26:40 AM	0.008	0.0
2580	7:27:40 AM	0.007	0.0
2640	7:28:40 AM	0.006	0.0
2700	7:29:40 AM	0.005	0.0
2760	7:30:40 AM	0.007	0.0
2820	7:31:40 AM	0.007	0.0
2880	7:32:40 AM	0.008	0.0
2940	7:33:40 AM	0.007	0.0
3000	7:34:40 AM	0.008	0.0
3060	7:35:40 AM	0.012	0.0
3120	7:36:40 AM	0.008	0.0
3180	7:37:40 AM	0.008	0.0
3240	7:38:40 AM	0.015	0.0
3300	7:39:40 AM	0.014	0.0
3360	7:40:40 AM	0.018	0.0
3420	7:41:40 AM	0.011	0.0
3480	7:42:40 AM	0.011	0.0
3540	7:43:40 AM	0.012	0.0
3600	7:44:40 AM	0.01	0.0
3660	7:45:40 AM	0.009	0.0
3720	7:46:40 AM	0.008	0.0
3780	7:47:40 AM	0.008	0.0
3840	7:48:40 AM	0.007	0.0
3900	7:49:40 AM	0.013	0.0
3960	7:50:40 AM	0.014	0.0
4020	7:51:40 AM	0.012	0.0
4080	7:52:40 AM	0.008	0.0
4140	7:53:40 AM	0.008	0.0
4200	7:54:40 AM	0.007	0.0
4260	7:55:40 AM	0.008	0.0
4320	7:56:40 AM	0.007	0.0
4380	7:57:40 AM	0.007	0.0

4440	7:58:40 AM	0.007	0.0
4500	7:59:40 AM	0.007	0.0
4560	8:00:40 AM	0.007	0.0
4620	8:01:40 AM	0.011	0.0
4680	8:02:40 AM	0.009	0.0
4740	8:03:40 AM	0.008	0.0
4800	8:04:40 AM	0.007	0.0
4860	8:05:40 AM	0.007	0.0
4920	8:06:40 AM	0.007	0.0
4980	8:07:40 AM	0.007	0.0
5040	8:08:40 AM	0.007	0.0
5100	8:09:40 AM	0.007	0.0
5160	8:10:40 AM	0.007	0.0
5220	8:11:40 AM	0.007	0.0
5280	8:12:40 AM	0.009	0.0
5340	8:13:40 AM	0.009	0.0
5400	8:14:40 AM	0.01	0.0
5460	8:15:40 AM	0.009	0.0
5520	8:16:40 AM	0.009	0.0
5580	8:17:40 AM	0.008	0.0
5640	8:18:40 AM	0.008	0.0
5700	8:19:40 AM	0.009	0.0
5760	8:20:40 AM	0.018	0.0
5820	8:21:40 AM	0.02	0.0
5880	8:22:40 AM	0.016	0.0
5940	8:23:40 AM	0.019	0.0
6000	8:24:40 AM	0.011	0.0
6060	8:25:40 AM	0.014	0.0
6120	8:26:40 AM	0.022	0.0
6180	8:27:40 AM	0.018	0.0
6240	8:28:40 AM	0.015	0.0
6300	8:29:40 AM	0.011	0.0
6360	8:30:40 AM	0.009	0.0
6420	8:31:40 AM	0.008	0.0
6480	8:32:40 AM	0.009	0.0
6540	8:33:40 AM	0.009	0.0
6600	8:34:40 AM	0.012	0.0
6660	8:35:40 AM	0.012	0.0
6720	8:36:40 AM	0.009	0.0
6780	8:37:40 AM	0.01	0.0
6840	8:38:40 AM	0.011	0.0
6900	8:39:40 AM	0.011	0.0
6960	8:40:40 AM	0.01	0.0
7020	8:41:40 AM	0.008	0.0
7080	8:42:40 AM	0.006	0.0
7140	8:43:40 AM	0.007	0.0
7200	8:44:40 AM	0.006	0.0

7260	8:45:40 AM	0.006	0.0
7320	8:46:40 AM	0.006	0.0
7380	8:47:40 AM	0.006	0.0
7440	8:48:40 AM	0.006	0.0
7500	8:49:40 AM	0.007	0.0
7560	8:50:40 AM	0.008	0.0
7620	8:51:40 AM	0.008	0.0
7680	8:52:40 AM	0.015	0.0
7740	8:53:40 AM	0.014	0.0
7800	8:54:40 AM	0.01	0.0
7860	8:55:40 AM	0.01	0.0
7920	8:56:40 AM	0.011	0.0
7980	8:57:40 AM	0.009	0.0
8040	8:58:40 AM	0.01	0.0
8100	8:59:40 AM	0.016	0.0
8160	9:00:40 AM	0.015	0.0
8220	9:01:40 AM	0.015	0.0
8280	9:02:40 AM	0.017	0.0
8340	9:03:40 AM	0.015	0.0
8400	9:04:40 AM	0.016	0.0
8460	9:05:40 AM	0.01	0.0
8520	9:06:40 AM	0.013	0.0
8580	9:07:40 AM	0.011	0.0
8640	9:08:40 AM	0.017	0.0
8700	9:09:40 AM	0.01	0.0
8760	9:10:40 AM	0.01	0.0
8820	9:11:40 AM	0.012	0.0
8880	9:12:40 AM	0.013	0.0
8940	9:13:40 AM	0.011	0.0
9000	9:14:40 AM	0.015	0.0
9060	9:15:40 AM	0.012	0.0
9120	9:16:40 AM	0.018	0.0
9180	9:17:40 AM	0.012	0.0
9240	9:18:40 AM	0.015	0.0
9300	9:19:40 AM	0.016	0.0
9360	9:20:40 AM	0.018	0.0
9420	9:21:40 AM	0.018	0.0
9480	9:22:40 AM	0.014	0.0
9540	9:23:40 AM	0.017	0.0
9600	9:24:40 AM	0.016	0.0
9660	9:25:40 AM	0.012	0.0
9720	9:26:40 AM	0.014	0.0
9780	9:27:40 AM	0.016	0.0
9840	9:28:40 AM	0.014	0.0
9900	9:29:40 AM	0.011	0.0
9960	9:30:40 AM	0.014	0.0
10020	9:31:40 AM	0.026	0.0

10080	9:32:40 AM	0.019	0.0
10140	9:33:40 AM	0.018	0.0
10200	9:34:40 AM	0.022	0.0
10260	9:35:40 AM	0.019	0.0
10320	9:36:40 AM	0.018	0.0
10380	9:37:40 AM	0.025	0.0
10440	9:38:40 AM	0.016	0.0
10500	9:39:40 AM	0.025	0.0
10560	9:40:40 AM	0.019	0.0
10620	9:41:40 AM	0.015	0.0
10680	9:42:40 AM	0.022	0.0
10740	9:43:40 AM	0.018	0.0
10800	9:44:40 AM	0.015	0.0
10860	9:45:40 AM	0.017	0.0
10920	9:46:40 AM	0.014	0.0
10980	9:47:40 AM	0.011	0.0
11040	9:48:40 AM	0.013	0.0
11100	9:49:40 AM	0.019	0.0
11160	9:50:40 AM	0.016	0.0
11220	9:51:40 AM	0.014	0.0
11280	9:52:40 AM	0.011	0.0
11340	9:53:40 AM	0.011	0.0
11400	9:54:40 AM	0.015	0.0
11460	9:55:40 AM	0.019	0.0
11520	9:56:40 AM	0.021	0.0
11580	9:57:40 AM	0.017	0.0
11640	9:58:40 AM	0.013	0.0
11700	9:59:40 AM	0.009	0.0
11760	10:00:40 AM	0.01	0.0
11820	10:01:40 AM	0.012	0.0
11880	10:02:40 AM	0.019	0.0
11940	10:03:40 AM	0.018	0.0
12000	10:04:40 AM	0.011	0.0
12060	10:05:40 AM	0.013	0.0
12120	10:06:40 AM	0.011	0.0
12180	10:07:40 AM	0.011	0.0
12240	10:08:40 AM	0.01	0.0
12300	10:09:40 AM	0.008	0.0
12360	10:10:40 AM	0.011	0.0
12420	10:11:40 AM	0.007	0.0
12480	10:12:40 AM	0.008	0.0
12540	10:13:40 AM	0.008	0.0
12600	10:14:40 AM	0.01	0.0
12660	10:15:40 AM	0.009	0.0
12720	10:16:40 AM	0.008	0.0
12780	10:17:40 AM	0.008	0.0
12840	10:18:40 AM	0.007	0.0

12900	10:19:40 AM	0.007	0.0
12960	10:20:40 AM	0.008	0.0
13020	10:21:40 AM	0.008	0.0
13080	10:22:40 AM	0.007	0.0
13140	10:23:40 AM	0.007	0.0
13200	10:24:40 AM	0.006	0.0
13260	10:25:40 AM	0.007	0.0
13320	10:26:40 AM	0.006	0.0
13380	10:27:40 AM	0.007	0.0
13440	10:28:40 AM	0.007	0.0
13500	10:29:40 AM	0.006	0.0
13560	10:30:40 AM	0.006	0.0
13620	10:31:40 AM	0.007	0.0
13680	10:32:40 AM	0.007	0.0
13740	10:33:40 AM	0.009	0.0
13800	10:34:40 AM	0.009	0.0
13860	10:35:40 AM	0.01	0.0
13920	10:36:40 AM	0.01	0.0
13980	10:37:40 AM	0.01	0.0
14040	10:38:40 AM	0.01	0.0
14100	10:39:40 AM	0.011	0.0
14160	10:40:40 AM	0.01	0.0
14220	10:41:40 AM	0.01	0.0
14280	10:42:40 AM	0.011	0.0
14340	10:43:40 AM	0.01	0.0
14400	10:44:40 AM	0.01	0.0
14460	10:45:40 AM	0.01	0.0
14520	10:46:40 AM	0.011	0.0
14580	10:47:40 AM	0.011	0.0
14640	10:48:40 AM	0.011	0.0
14700	10:49:40 AM	0.01	0.0
14760	10:50:40 AM	0.01	0.0
14820	10:51:40 AM	0.01	0.0
14880	10:52:40 AM	0.01	0.0
14940	10:53:40 AM	0.011	0.0
15000	10:54:40 AM	0.01	0.0
15060	10:55:40 AM	0.011	0.0
15120	10:56:40 AM	0.01	0.0
15180	10:57:40 AM	0.01	0.0
15240	10:58:40 AM	0.01	0.0
15300	10:59:40 AM	0.01	0.0
15360	11:00:40 AM	0.01	0.0
15420	11:01:40 AM	0.011	0.0
15480	11:02:40 AM	0.011	0.0
15540	11:03:40 AM	0.011	0.0
15600	11:04:40 AM	0.01	0.0
15660	11:05:40 AM	0.012	0.0

15720	11:06:40 AM	0.011	0.0
15780	11:07:40 AM	0.008	0.0
15840	11:08:40 AM	0.008	0.0
15900	11:09:40 AM	0.007	0.0
15960	11:10:40 AM	0.008	0.0
16020	11:11:40 AM	0.006	0.0
16080	11:12:40 AM	0.007	0.0
16140	11:13:40 AM	0.006	0.0
16200	11:14:40 AM	0.006	0.0
16260	11:15:40 AM	0.006	0.0
16320	11:16:40 AM	0.007	0.0
16380	11:17:40 AM	0.007	0.0
16440	11:18:40 AM	0.013	0.0
16500	11:19:40 AM	0.008	0.0
16560	11:20:40 AM	0.008	0.0
16620	11:21:40 AM	0.012	0.0
16680	11:22:40 AM	0.011	0.0
16740	11:23:40 AM	0.005	0.0
16800	11:24:40 AM	0.007	0.0
16860	11:25:40 AM	0.007	0.0
16920	11:26:40 AM	0.008	0.0
16980	11:27:40 AM	0.013	0.0
17040	11:28:40 AM	0.015	0.0
17100	11:29:40 AM	0.015	0.0
17160	11:30:40 AM	0.007	0.0
17220	11:31:40 AM	0.008	0.0
17280	11:32:40 AM	0.006	0.0
17340	11:33:40 AM	0.007	0.0
17400	11:34:40 AM	0.008	0.0
17460	11:35:40 AM	0.008	0.0
17520	11:36:40 AM	0.007	0.0
17580	11:37:40 AM	0.006	0.0
17640	11:38:40 AM	0.005	0.0
17700	11:39:40 AM	0.006	0.0
17760	11:40:40 AM	0.006	0.0
17820	11:41:40 AM	0.006	0.0
17880	11:42:40 AM	0.006	0.0
17940	11:43:40 AM	0.006	0.0
18000	11:44:40 AM	0.006	0.0
18060	11:45:40 AM	0.006	0.0
18120	11:46:40 AM	0.006	0.0
18180	11:47:40 AM	0.006	0.0
18240	11:48:40 AM	0.006	0.0
18300	11:49:40 AM	0.005	0.0
18360	11:50:40 AM	0.005	0.0
18420	11:51:40 AM	0.006	0.0
18480	11:52:40 AM	0.006	0.0

18540	11:53:40 AM	0.006	0.0
18600	11:54:40 AM	0.006	0.0
18660	11:55:40 AM	0.006	0.0
18720	11:56:40 AM	0.006	0.0
18780	11:57:40 AM	0.006	0.0
18840	11:58:40 AM	0.006	0.0
18900	11:59:40 AM	0.006	0.0
18960	12:00:40 PM	0.005	0.0
19020	12:01:40 PM	0.005	0.0
19080	12:02:40 PM	0.006	0.0
19140	12:03:40 PM	0.005	0.0
19200	12:04:40 PM	0.005	0.0
19260	12:05:40 PM	0.005	0.0
19320	12:06:40 PM	0.006	0.0
19380	12:07:40 PM	0.006	0.0
19440	12:08:40 PM	0.006	0.0
19500	12:09:40 PM	0.006	0.0
19560	12:10:40 PM	0.006	0.0
19620	12:11:40 PM	0.007	0.0
19680	12:12:40 PM	0.006	0.0
19740	12:13:40 PM	0.006	0.0
19800	12:14:40 PM	0.007	0.0
19860	12:15:40 PM	0.007	0.0
19920	12:16:40 PM	0.007	0.0
19980	12:17:40 PM	0.007	0.0
20040	12:18:40 PM	0.007	0.0
20100	12:19:40 PM	0.007	0.0
20160	12:20:40 PM	0.007	0.0
20220	12:21:40 PM	0.007	0.0
20280	12:22:40 PM	0.009	0.0
20340	12:23:40 PM	0.009	0.0
20400	12:24:40 PM	0.008	0.0
20460	12:25:40 PM	0.009	0.0
20520	12:26:40 PM	0.007	0.0
20580	12:27:40 PM	0.006	0.0
20640	12:28:40 PM	0.005	0.0
20700	12:29:40 PM	0.005	0.0
20760	12:30:40 PM	0.005	0.0
20820	12:31:40 PM	0.005	0.0
20880	12:32:40 PM	0.006	0.0
20940	12:33:40 PM	0.006	0.0
21000	12:34:40 PM	0.007	0.0
21060	12:35:40 PM	0.006	0.0
21120	12:36:40 PM	0.006	0.0
21180	12:37:40 PM	0.007	0.0
21240	12:38:40 PM	0.01	0.0
21300	12:39:40 PM	0.006	0.0

21360	12:40:40 PM	0.006	0.0
21420	12:41:40 PM	0.005	0.0
21480	12:42:40 PM	0.005	0.0
21540	12:43:40 PM	0.005	0.0
21600	12:44:40 PM	0.005	0.0
21660	12:45:40 PM	0.005	0.0
21720	12:46:40 PM	0.006	0.0
21780	12:47:40 PM	0.006	0.0
21840	12:48:40 PM	0.005	0.0
21900	12:49:40 PM	0.005	0.0
21960	12:50:40 PM	0.007	0.0
22020	12:51:40 PM	0.007	0.0
22080	12:52:40 PM	0.006	0.0
22140	12:53:40 PM	0.006	0.0
22200	12:54:40 PM	0.007	0.0
22260	12:55:40 PM	0.006	0.0
22320	12:56:40 PM	0.006	0.0
22380	12:57:40 PM	0.007	0.0
22440	12:58:40 PM	0.007	0.0
22500	12:59:40 PM	0.007	0.0
22560	1:00:40 PM	0.007	0.0
22620	1:01:40 PM	0.007	0.0
22680	1:02:40 PM	0.007	0.0
22740	1:03:40 PM	0.007	0.0
22800	1:04:40 PM	0.007	0.0
22860	1:05:40 PM	0.008	0.0
22920	1:06:40 PM	0.008	0.0
22980	1:07:40 PM	0.007	0.0
23040	1:08:40 PM	0.007	0.0
23100	1:09:40 PM	0.007	0.0
23160	1:10:40 PM	0.007	0.0
23220	1:11:40 PM	0.007	0.0
23280	1:12:40 PM	0.007	0.0
23340	1:13:40 PM	0.009	0.0
23400	1:14:40 PM	0.008	0.0
23460	1:15:40 PM	0.007	0.0
23520	1:16:40 PM	0.009	0.0
23580	1:17:40 PM	0.008	0.0
23640	1:18:40 PM	0.008	0.0
23700	1:19:40 PM	0.008	0.0
23760	1:20:40 PM	0.007	0.0
23820	1:21:40 PM	0.008	0.0
23880	1:22:40 PM	0.008	0.0
23940	1:23:40 PM	0.007	0.0
24000	1:24:40 PM	0.007	0.0
24060	1:25:40 PM	0.006	0.0
24120	1:26:40 PM	0.006	0.0

24180	1:27:40 PM	0.006	0.0
24240	1:28:40 PM	0.007	0.0
24300	1:29:40 PM	0.007	0.0
24360	1:30:40 PM	0.007	0.0
24420	1:31:40 PM	0.006	0.0
24480	1:32:40 PM	0.006	0.0
24540	1:33:40 PM	0.008	0.0
24600	1:34:40 PM	0.006	0.0
24660	1:35:40 PM	0.01	0.0
24720	1:36:40 PM	0.009	0.0
24780	1:37:40 PM	0.007	0.0
24840	1:38:40 PM	0.006	0.0
24900	1:39:40 PM	0.006	0.0
24960	1:40:40 PM	0.006	0.0
25020	1:41:40 PM	0.005	0.0
25080	1:42:40 PM	0.006	0.0
25140	1:43:40 PM	0.006	0.0
25200	1:44:40 PM	0.005	0.0

DOWNWIND Air Monitor

251 Douglass Street, Brooklyn, NY



Instrument Name	DustTrak II
Model Number	8530
Serial Number	8530142303
Firmware Version	3.1
Calibration Date	2/4/2023
Test Name	MANUAL_006
Test Start Time	6:39:46 AM
Test Start Date	5/2/2023
Test Length [D:H:M]	0:07:07
Test Interval [M:S]	1:00
Mass Average [mg/m3]	0.008
Mass Minimum [mg/m3]	0.003
Mass Maximum [mg/m3]	0.026
Mass TWA [mg/m3]	0.007
Photometric User Cal	1
Flow User Cal	0
Errors	
Number of Samples	427

Elapsed Time	Time	Mass [mg/m3]	PID (ppmv)	Alarms	Errors
0	6:39:46 AM	0			
60	6:40:46 AM	0.007		0.0	
120	6:41:46 AM	0.005		0.0	
180	6:42:46 AM	0.004		0.0	
240	6:43:46 AM	0.005		0.0	
300	6:44:46 AM	0.005		0.0	
360	6:45:46 AM	0.005		0.0	
420	6:46:46 AM	0.005		0.0	
480	6:47:46 AM	0.005		0.0	
540	6:48:46 AM	0.004		0.0	
600	6:49:46 AM	0.004		0.0	
660	6:50:46 AM	0.005		0.0	
720	6:51:46 AM	0.005		0.0	
780	6:52:46 AM	0.005		0.0	
840	6:53:46 AM	0.005		0.0	
900	6:54:46 AM	0.006		0.0	
960	6:55:46 AM	0.005		0.0	
1020	6:56:46 AM	0.005		0.0	
1080	6:57:46 AM	0.005		0.0	
1140	6:58:46 AM	0.005		0.0	
1200	6:59:46 AM	0.005		0.0	
1260	7:00:46 AM	0.005		0.0	
1320	7:01:46 AM	0.004		0.0	
1380	7:02:46 AM	0.004		0.0	
1440	7:03:46 AM	0.004		0.0	
1500	7:04:46 AM	0.004		0.0	
1560	7:05:46 AM	0.003		0.0	

1620	7:06:46 AM	0.004	0.0
1680	7:07:46 AM	0.003	0.0
1740	7:08:46 AM	0.003	0.0
1800	7:09:46 AM	0.004	0.0
1860	7:10:46 AM	0.004	0.0
1920	7:11:46 AM	0.004	0.0
1980	7:12:46 AM	0.005	0.0
2040	7:13:46 AM	0.004	0.0
2100	7:14:46 AM	0.004	0.0
2160	7:15:46 AM	0.003	0.0
2220	7:16:46 AM	0.004	0.0
2280	7:17:46 AM	0.005	0.0
2340	7:18:46 AM	0.005	0.0
2400	7:19:46 AM	0.006	0.0
2460	7:20:46 AM	0.01	0.0
2520	7:21:46 AM	0.007	0.0
2580	7:22:46 AM	0.009	0.0
2640	7:23:46 AM	0.011	0.0
2700	7:24:46 AM	0.01	0.0
2760	7:25:46 AM	0.009	0.0
2820	7:26:46 AM	0.006	0.0
2880	7:27:46 AM	0.005	0.0
2940	7:28:46 AM	0.004	0.0
3000	7:29:46 AM	0.006	0.0
3060	7:30:46 AM	0.007	0.0
3120	7:31:46 AM	0.004	0.0
3180	7:32:46 AM	0.005	0.0
3240	7:33:46 AM	0.005	0.0
3300	7:34:46 AM	0.011	0.0
3360	7:35:46 AM	0.006	0.0
3420	7:36:46 AM	0.006	0.0
3480	7:37:46 AM	0.008	0.0
3540	7:38:46 AM	0.014	0.0
3600	7:39:46 AM	0.019	0.0
3660	7:40:46 AM	0.01	0.0
3720	7:41:46 AM	0.01	0.0
3780	7:42:46 AM	0.011	0.0
3840	7:43:46 AM	0.007	0.0
3900	7:44:46 AM	0.009	0.0
3960	7:45:46 AM	0.007	0.0
4020	7:46:46 AM	0.012	0.0
4080	7:47:46 AM	0.005	0.0
4140	7:48:46 AM	0.01	0.0
4200	7:49:46 AM	0.014	0.0
4260	7:50:46 AM	0.014	0.0
4320	7:51:46 AM	0.008	0.0
4380	7:52:46 AM	0.005	0.0

4440	7:53:46 AM	0.007	0.0
4500	7:54:46 AM	0.006	0.0
4560	7:55:46 AM	0.005	0.0
4620	7:56:46 AM	0.005	0.0
4680	7:57:46 AM	0.005	0.0
4740	7:58:46 AM	0.005	0.0
4800	7:59:46 AM	0.005	0.0
4860	8:00:46 AM	0.005	0.0
4920	8:01:46 AM	0.01	0.0
4980	8:02:46 AM	0.006	0.0
5040	8:03:46 AM	0.005	0.0
5100	8:04:46 AM	0.005	0.0
5160	8:05:46 AM	0.005	0.0
5220	8:06:46 AM	0.005	0.0
5280	8:07:46 AM	0.005	0.0
5340	8:08:46 AM	0.005	0.0
5400	8:09:46 AM	0.004	0.0
5460	8:10:46 AM	0.005	0.0
5520	8:11:46 AM	0.009	0.0
5580	8:12:46 AM	0.008	0.0
5640	8:13:46 AM	0.009	0.0
5700	8:14:46 AM	0.005	0.0
5760	8:15:46 AM	0.007	0.0
5820	8:16:46 AM	0.007	0.0
5880	8:17:46 AM	0.008	0.0
5940	8:18:46 AM	0.008	0.0
6000	8:19:46 AM	0.01	0.0
6060	8:20:46 AM	0.014	0.0
6120	8:21:46 AM	0.016	0.0
6180	8:22:46 AM	0.017	0.0
6240	8:23:46 AM	0.01	0.0
6300	8:24:46 AM	0.014	0.0
6360	8:25:46 AM	0.023	0.0
6420	8:26:46 AM	0.021	0.0
6480	8:27:46 AM	0.02	0.0
6540	8:28:46 AM	0.011	0.0
6600	8:29:46 AM	0.008	0.0
6660	8:30:46 AM	0.006	0.0
6720	8:31:46 AM	0.007	0.0
6780	8:32:46 AM	0.008	0.0
6840	8:33:46 AM	0.011	0.0
6900	8:34:46 AM	0.014	0.0
6960	8:35:46 AM	0.008	0.0
7020	8:36:46 AM	0.008	0.0
7080	8:37:46 AM	0.008	0.0
7140	8:38:46 AM	0.009	0.0
7200	8:39:46 AM	0.008	0.0

7260	8:40:46 AM	0.007	0.0
7320	8:41:46 AM	0.005	0.0
7380	8:42:46 AM	0.006	0.0
7440	8:43:46 AM	0.005	0.0
7500	8:44:46 AM	0.005	0.0
7560	8:45:46 AM	0.005	0.0
7620	8:46:46 AM	0.005	0.0
7680	8:47:46 AM	0.005	0.0
7740	8:48:46 AM	0.006	0.0
7800	8:49:46 AM	0.007	0.0
7860	8:50:46 AM	0.007	0.0
7920	8:51:46 AM	0.017	0.0
7980	8:52:46 AM	0.015	0.0
8040	8:53:46 AM	0.008	0.0
8100	8:54:46 AM	0.009	0.0
8160	8:55:46 AM	0.01	0.0
8220	8:56:46 AM	0.008	0.0
8280	8:57:46 AM	0.008	0.0
8340	8:58:46 AM	0.011	0.0
8400	8:59:46 AM	0.017	0.0
8460	9:00:46 AM	0.026	0.0
8520	9:01:46 AM	0.018	0.0
8580	9:02:46 AM	0.013	0.0
8640	9:03:46 AM	0.011	0.0
8700	9:04:46 AM	0.008	0.0
8760	9:05:46 AM	0.01	0.0
8820	9:06:46 AM	0.009	0.0
8880	9:07:46 AM	0.012	0.0
8940	9:08:46 AM	0.009	0.0
9000	9:09:46 AM	0.009	0.0
9060	9:10:46 AM	0.009	0.0
9120	9:11:46 AM	0.009	0.0
9180	9:12:46 AM	0.009	0.0
9240	9:13:46 AM	0.011	0.0
9300	9:14:46 AM	0.009	0.0
9360	9:15:46 AM	0.014	0.0
9420	9:16:46 AM	0.012	0.0
9480	9:17:46 AM	0.015	0.0
9540	9:18:46 AM	0.016	0.0
9600	9:19:46 AM	0.017	0.0
9660	9:20:46 AM	0.025	0.0
9720	9:21:46 AM	0.015	0.0
9780	9:22:46 AM	0.018	0.0
9840	9:23:46 AM	0.016	0.0
9900	9:24:46 AM	0.01	0.0
9960	9:25:46 AM	0.012	0.0
10020	9:26:46 AM	0.016	0.0

10080	9:27:46 AM	0.014	0.0
10140	9:28:46 AM	0.01	0.0
10200	9:29:46 AM	0.01	0.0
10260	9:30:46 AM	0.026	0.0
10320	9:31:46 AM	0.015	0.0
10380	9:32:46 AM	0.019	0.0
10440	9:33:46 AM	0.019	0.0
10500	9:34:46 AM	0.022	0.0
10560	9:35:46 AM	0.019	0.0
10620	9:36:46 AM	0.021	0.0
10680	9:37:46 AM	0.018	0.0
10740	9:38:46 AM	0.018	0.0
10800	9:39:46 AM	0.014	0.0
10860	9:40:46 AM	0.015	0.0
10920	9:41:46 AM	0.02	0.0
10980	9:42:46 AM	0.023	0.0
11040	9:43:46 AM	0.016	0.0
11100	9:44:46 AM	0.015	0.0
11160	9:45:46 AM	0.013	0.0
11220	9:46:46 AM	0.01	0.0
11280	9:47:46 AM	0.011	0.0
11340	9:48:46 AM	0.018	0.0
11400	9:49:46 AM	0.011	0.0
11460	9:50:46 AM	0.013	0.0
11520	9:51:46 AM	0.009	0.0
11580	9:52:46 AM	0.01	0.0
11640	9:53:46 AM	0.015	0.0
11700	9:54:46 AM	0.016	0.0
11760	9:55:46 AM	0.019	0.0
11820	9:56:46 AM	0.018	0.0
11880	9:57:46 AM	0.012	0.0
11940	9:58:46 AM	0.008	0.0
12000	9:59:46 AM	0.008	0.0
12060	10:00:46 AM	0.01	0.0
12120	10:01:46 AM	0.016	0.0
12180	10:02:46 AM	0.017	0.0
12240	10:03:46 AM	0.009	0.0
12300	10:04:46 AM	0.013	0.0
12360	10:05:46 AM	0.014	0.0
12420	10:06:46 AM	0.009	0.0
12480	10:07:46 AM	0.008	0.0
12540	10:08:46 AM	0.007	0.0
12600	10:09:46 AM	0.007	0.0
12660	10:10:46 AM	0.006	0.0
12720	10:11:46 AM	0.008	0.0
12780	10:12:46 AM	0.007	0.0
12840	10:13:46 AM	0.008	0.0

12900	10:14:46 AM	0.008	0.0
12960	10:15:46 AM	0.007	0.0
13020	10:16:46 AM	0.007	0.0
13080	10:17:46 AM	0.006	0.0
13140	10:18:46 AM	0.006	0.0
13200	10:19:46 AM	0.007	0.0
13260	10:20:46 AM	0.008	0.0
13320	10:21:46 AM	0.006	0.0
13380	10:22:46 AM	0.006	0.0
13440	10:23:46 AM	0.005	0.0
13500	10:24:46 AM	0.006	0.0
13560	10:25:46 AM	0.006	0.0
13620	10:26:46 AM	0.006	0.0
13680	10:27:46 AM	0.006	0.0
13740	10:28:46 AM	0.005	0.0
13800	10:29:46 AM	0.005	0.0
13860	10:30:46 AM	0.006	0.0
13920	10:31:46 AM	0.006	0.0
13980	10:32:46 AM	0.008	0.0
14040	10:33:46 AM	0.009	0.0
14100	10:34:46 AM	0.008	0.0
14160	10:35:46 AM	0.01	0.0
14220	10:36:46 AM	0.01	0.0
14280	10:37:46 AM	0.01	0.0
14340	10:38:46 AM	0.012	0.0
14400	10:39:46 AM	0.009	0.0
14460	10:40:46 AM	0.009	0.0
14520	10:41:46 AM	0.01	0.0
14580	10:42:46 AM	0.008	0.0
14640	10:43:46 AM	0.009	0.0
14700	10:44:46 AM	0.008	0.0
14760	10:45:46 AM	0.009	0.0
14820	10:46:46 AM	0.01	0.0
14880	10:47:46 AM	0.009	0.0
14940	10:48:46 AM	0.008	0.0
15000	10:49:46 AM	0.009	0.0
15060	10:50:46 AM	0.008	0.0
15120	10:51:46 AM	0.009	0.0
15180	10:52:46 AM	0.009	0.0
15240	10:53:46 AM	0.009	0.0
15300	10:54:46 AM	0.009	0.0
15360	10:55:46 AM	0.009	0.0
15420	10:56:46 AM	0.009	0.0
15480	10:57:46 AM	0.009	0.0
15540	10:58:46 AM	0.009	0.0
15600	10:59:46 AM	0.009	0.0
15660	11:00:46 AM	0.009	0.0

15720	11:01:46 AM	0.009	0.0
15780	11:02:46 AM	0.009	0.0
15840	11:03:46 AM	0.009	0.0
15900	11:04:46 AM	0.01	0.0
15960	11:05:46 AM	0.009	0.0
16020	11:06:46 AM	0.006	0.0
16080	11:07:46 AM	0.007	0.0
16140	11:08:46 AM	0.006	0.0
16200	11:09:46 AM	0.008	0.0
16260	11:10:46 AM	0.005	0.0
16320	11:11:46 AM	0.004	0.0
16380	11:12:46 AM	0.005	0.0
16440	11:13:46 AM	0.004	0.0
16500	11:14:46 AM	0.005	0.0
16560	11:15:46 AM	0.005	0.0
16620	11:16:46 AM	0.006	0.0
16680	11:17:46 AM	0.01	0.0
16740	11:18:46 AM	0.01	0.0
16800	11:19:46 AM	0.006	0.0
16860	11:20:46 AM	0.01	0.0
16920	11:21:46 AM	0.009	0.0
16980	11:22:46 AM	0.004	0.0
17040	11:23:46 AM	0.005	0.0
17100	11:24:46 AM	0.005	0.0
17160	11:25:46 AM	0.006	0.0
17220	11:26:46 AM	0.012	0.0
17280	11:27:46 AM	0.015	0.0
17340	11:28:46 AM	0.017	0.0
17400	11:29:46 AM	0.007	0.0
17460	11:30:46 AM	0.008	0.0
17520	11:31:46 AM	0.006	0.0
17580	11:32:46 AM	0.006	0.0
17640	11:33:46 AM	0.008	0.0
17700	11:34:46 AM	0.008	0.0
17760	11:35:46 AM	0.006	0.0
17820	11:36:46 AM	0.005	0.0
17880	11:37:46 AM	0.004	0.0
17940	11:38:46 AM	0.005	0.0
18000	11:39:46 AM	0.005	0.0
18060	11:40:46 AM	0.004	0.0
18120	11:41:46 AM	0.005	0.0
18180	11:42:46 AM	0.005	0.0
18240	11:43:46 AM	0.004	0.0
18300	11:44:46 AM	0.005	0.0
18360	11:45:46 AM	0.005	0.0
18420	11:46:46 AM	0.005	0.0
18480	11:47:46 AM	0.004	0.0

18540	11:48:46 AM	0.004	0.0
18600	11:49:46 AM	0.004	0.0
18660	11:50:46 AM	0.005	0.0
18720	11:51:46 AM	0.005	0.0
18780	11:52:46 AM	0.005	0.0
18840	11:53:46 AM	0.005	0.0
18900	11:54:46 AM	0.005	0.0
18960	11:55:46 AM	0.005	0.0
19020	11:56:46 AM	0.005	0.0
19080	11:57:46 AM	0.004	0.0
19140	11:58:46 AM	0.005	0.0
19200	11:59:46 AM	0.004	0.0
19260	12:00:46 PM	0.004	0.0
19320	12:01:46 PM	0.006	0.0
19380	12:02:46 PM	0.004	0.0
19440	12:03:46 PM	0.005	0.0
19500	12:04:46 PM	0.005	0.0
19560	12:05:46 PM	0.005	0.0
19620	12:06:46 PM	0.005	0.0
19680	12:07:46 PM	0.005	0.0
19740	12:08:46 PM	0.005	0.0
19800	12:09:46 PM	0.005	0.0
19860	12:10:46 PM	0.007	0.0
19920	12:11:46 PM	0.006	0.0
19980	12:12:46 PM	0.006	0.0
20040	12:13:46 PM	0.006	0.0
20100	12:14:46 PM	0.006	0.0
20160	12:15:46 PM	0.006	0.0
20220	12:16:46 PM	0.007	0.0
20280	12:17:46 PM	0.006	0.0
20340	12:18:46 PM	0.006	0.0
20400	12:19:46 PM	0.007	0.0
20460	12:20:46 PM	0.007	0.0
20520	12:21:46 PM	0.008	0.0
20580	12:22:46 PM	0.008	0.0
20640	12:23:46 PM	0.007	0.0
20700	12:24:46 PM	0.008	0.0
20760	12:25:46 PM	0.007	0.0
20820	12:26:46 PM	0.005	0.0
20880	12:27:46 PM	0.004	0.0
20940	12:28:46 PM	0.005	0.0
21000	12:29:46 PM	0.004	0.0
21060	12:30:46 PM	0.004	0.0
21120	12:31:46 PM	0.006	0.0
21180	12:32:46 PM	0.006	0.0
21240	12:33:46 PM	0.006	0.0
21300	12:34:46 PM	0.005	0.0

21360	12:35:46 PM	0.005	0.0
21420	12:36:46 PM	0.01	0.0
21480	12:37:46 PM	0.008	0.0
21540	12:38:46 PM	0.005	0.0
21600	12:39:46 PM	0.007	0.0
21660	12:40:46 PM	0.005	0.0
21720	12:41:46 PM	0.005	0.0
21780	12:42:46 PM	0.004	0.0
21840	12:43:46 PM	0.004	0.0
21900	12:44:46 PM	0.005	0.0
21960	12:45:46 PM	0.005	0.0
22020	12:46:46 PM	0.004	0.0
22080	12:47:46 PM	0.004	0.0
22140	12:48:46 PM	0.005	0.0
22200	12:49:46 PM	0.005	0.0
22260	12:50:46 PM	0.006	0.0
22320	12:51:46 PM	0.005	0.0
22380	12:52:46 PM	0.005	0.0
22440	12:53:46 PM	0.006	0.0
22500	12:54:46 PM	0.005	0.0
22560	12:55:46 PM	0.005	0.0
22620	12:56:46 PM	0.006	0.0
22680	12:57:46 PM	0.006	0.0
22740	12:58:46 PM	0.006	0.0
22800	12:59:46 PM	0.006	0.0
22860	1:00:46 PM	0.006	0.0
22920	1:01:46 PM	0.006	0.0
22980	1:02:46 PM	0.007	0.0
23040	1:03:46 PM	0.007	0.0
23100	1:04:46 PM	0.007	0.0
23160	1:05:46 PM	0.007	0.0
23220	1:06:46 PM	0.007	0.0
23280	1:07:46 PM	0.008	0.0
23340	1:08:46 PM	0.007	0.0
23400	1:09:46 PM	0.007	0.0
23460	1:10:46 PM	0.008	0.0
23520	1:11:46 PM	0.007	0.0
23580	1:12:46 PM	0.009	0.0
23640	1:13:46 PM	0.008	0.0
23700	1:14:46 PM	0.006	0.0
23760	1:15:46 PM	0.007	0.0
23820	1:16:46 PM	0.007	0.0
23880	1:17:46 PM	0.008	0.0
23940	1:18:46 PM	0.007	0.0
24000	1:19:46 PM	0.006	0.0
24060	1:20:46 PM	0.007	0.0
24120	1:21:46 PM	0.007	0.0

24180	1:22:46 PM	0.007	0.0
24240	1:23:46 PM	0.005	0.0
24300	1:24:46 PM	0.006	0.0
24360	1:25:46 PM	0.006	0.0
24420	1:26:46 PM	0.006	0.0
24480	1:27:46 PM	0.006	0.0
24540	1:28:46 PM	0.006	0.0
24600	1:29:46 PM	0.006	0.0
24660	1:30:46 PM	0.006	0.0
24720	1:31:46 PM	0.006	0.0
24780	1:32:46 PM	0.008	0.0
24840	1:33:46 PM	0.008	0.0
24900	1:34:46 PM	0.011	0.0
24960	1:35:46 PM	0.009	0.0
25020	1:36:46 PM	0.005	0.0
25080	1:37:46 PM	0.005	0.0
25140	1:38:46 PM	0.006	0.0
25200	1:39:46 PM	0.006	0.0
25260	1:40:46 PM	0.005	0.0
25320	1:41:46 PM	0.005	0.0
25380	1:42:46 PM	0.006	0.0
25440	1:43:46 PM	0.005	0.0
25500	1:44:46 PM	0.005	0.0
25560	1:45:46 PM	0.005	0.0
25620	1:46:46 PM	0.005	0.0