



**NEW YORK STATE
DEPARTMENT OF ENVIRONMENTAL CONSERVATION**



Request to Import/Reuse Fill or Soil

This form is based on the information required by DER-10, Section 5.4(e) and 6NYCRR Part 360.13. Use of this form is not a substitute for reading the applicable regulations and Technical Guidance document.

SECTION 1 – SITE BACKGROUND

Site Name:

Site Number:

The allowable site use is:

Have Ecological Resources been identified?

Is this soil originating from the site?

How many cubic yards of soil will be imported/reused?
If greater than 1000 cubic yards will be imported, enter volume to be imported:

SECTION 2 – MATERIAL OTHER THAN SOIL

Is the material to be imported gravel, rock or stone?

Does it contain less than 10%, by weight, material that passes a size 100 sieve?

Is this virgin material from a permitted mine or quarry?

Is this material recycled concrete or brick from a DEC registered processing facility?

SECTION 3 - SAMPLING

Provide a brief description of the number and type of samples collected in the space below:

The proposed imported Rip Rap stone is mined from a virgin quarry source with a certification letter from the producer, and the sieve report indicates <10% passes a #100 sieve. Therefore, no sampling is proposed for this material.

Example Text: 5 discrete samples were collected and analyzed for VOCs. 2 composite samples were collected and analyzed for SVOCs, Inorganics & PCBs/Pesticides.

If the material meets requirements of DER-10 section 5.4(e)5 (other material), no chemical testing needed.

SECTION 3 CONT'D - SAMPLING

Provide a brief written summary of the sampling results or attach evaluation tables (compare to DER-10, Appendix 5):

N/A

Example Text: Arsenic was detected up to 17 ppm in 1 (of 5) samples; the allowable level is 16 ppm.

If Ecological Resources have been identified use the "If Ecological Resources are Present" column in Appendix 5.

SECTION 4 – SOURCE OF FILL

Name of person providing fill and relationship to the source:

Wingdale Materials Corp. - Quarry owner and operator

Name and address of fill source:

Wingdale Materials Quarry - 3206 Pleasant Ridge Road, Wingdale, NY

Location where fill was obtained:

Wingdale Materials Quarry

Identification of any state or local approvals as a fill source:

N/A

If no approvals are available, provide a brief history of the use of the property that is the fill source:

The Wingdale Materials Quarry has operated as a quarry since the late 1960s.

Provide a list of supporting documentation included with this request:

- Gradation Test Sieve Analysis
- Virgin Aggregate Source Certification Letter
- Rip Rap Placement Locations

The information provided on this form is accurate and complete.



4/13/2026

Signature

Date

Stephen M. Kline

Print Name

GZA GeoEnvironmental of NY

Firm

3206 Pleasant Ridge Rd
Wingdale, NY 12594
845-832-6000

Riprap
Approx. 495 CY

February 6, 2025

RE: Control of Stone Filling and Rip-Rap Items

This letter shall serve as certification that the material supplied by Wingdale Materials Corp, satisfies all requirements for hardness and gradation for the items listed below in the “Standard Specifications – Construction and Materials,” published by the New York State Department of Transportation.

The stone items are produced in a manner consistent with material that is used for Department projects. It is in fact taken from the same stockpiles that we use to construct our NYSDOT approved piles for Department projects.

The materials listed below shall be supplied from NYSDOT approved quarries.

TABLE 733-21A STONE FILLING GRADATION			
Stone Filling Items	See Notes	Stone Size	Percent of Total by Weight
Fine	2, 3, 4	Smaller than 8 in.	90-100
		Larger than 3 in.	50-100
		Smaller than No. 10 sieve	0-10
→ Light	2, 3, 4	Lighter than 100 lbs.	90-100
		Larger than 6 in.	50-100
		Smaller than ½ in.	0-10
Medium	2, 4	Heavier than 100 lbs.	50-100
		Smaller than 4 in.	0-10
Heavy	2, 4, 5	Heavier than 600 lbs.	50-100
		Smaller than 6 in.	0-10

TABLE 733-22A RIP-RAP GRADATION	
Stone Weight	Gradation Spread
Heavier than 300 lbs.	50-100 percent of total by weight
100 lbs. ≤ γ ≤ 300 lbs.	Remainder of stones

Peckham Materials Corp.
Wingdale Materials Corp.

Michael Crowley

Michael Crowley
Assistant Quality Control Manager

3206 Pleasant Ridge Rd
Wingdale, NY 12594
(845) 832-6000

RE: Virgin Aggregate Source

This letter serves as certification that the aggregate provided by Wingdale Materials' quarry, situated in Wingdale, New York, is a virgin source of aggregate. All material has been newly mined, extracted, and manufactured from a naturally occurring geological formation and has not been utilized in any previous construction projects or other applications.

This certification ensures the integrity and originality of the aggregate, confirming its suitability for use in any construction endeavors requiring virgin material.

If further information or verification is required, please do not hesitate to contact us.

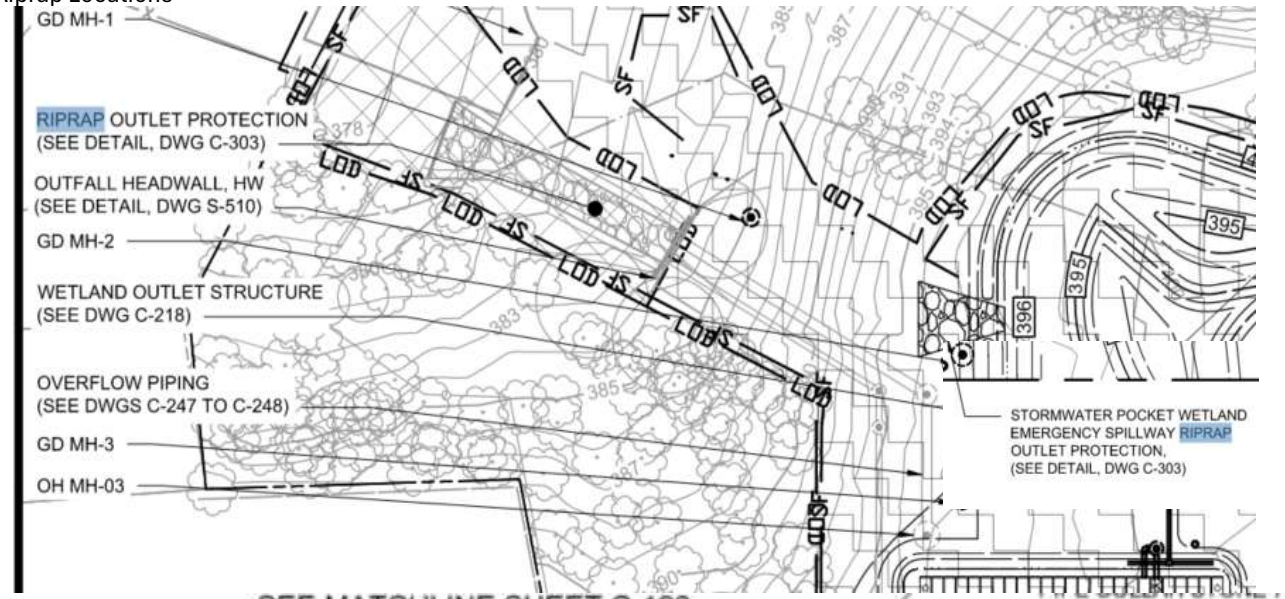
**Peckham Industries, Inc.
Wingdale Materials Corporation**

Michael Crowley

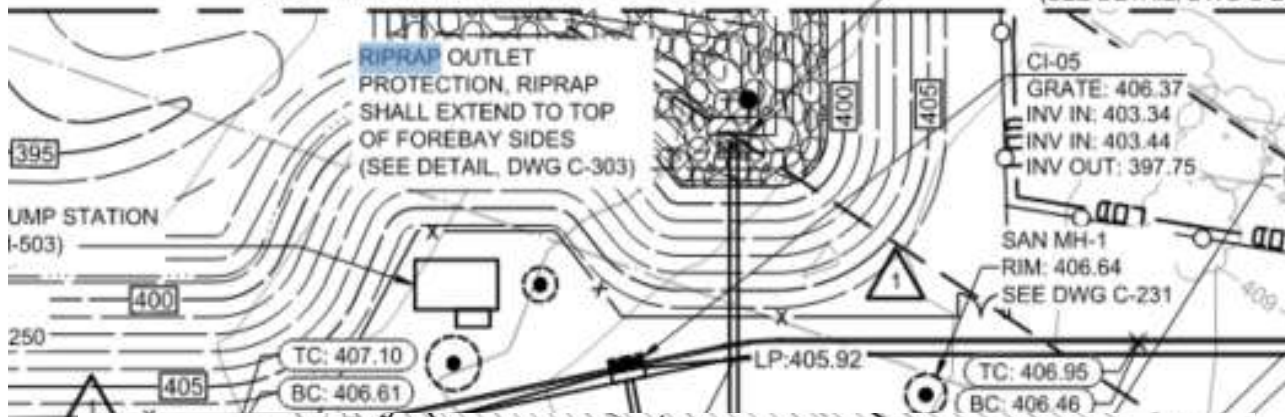
Michael Crowley
Assistant Quality Control Manager

Riprap Locations

Riprap Locations



SEE MATCHLINE SHEET C-122

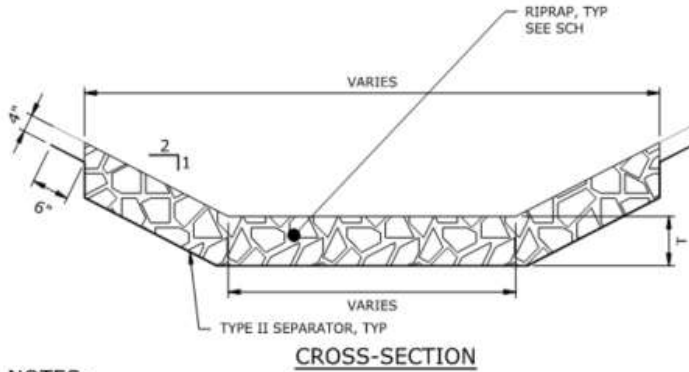
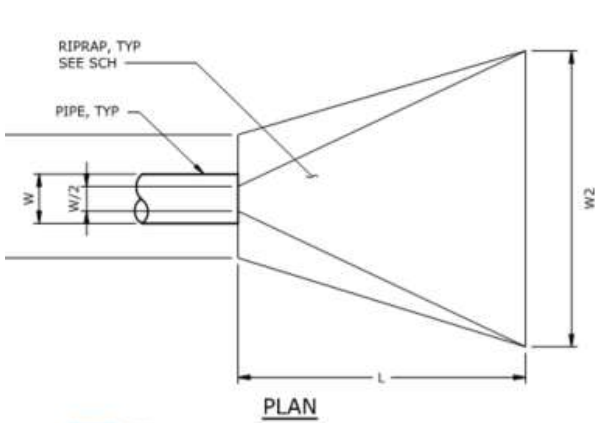
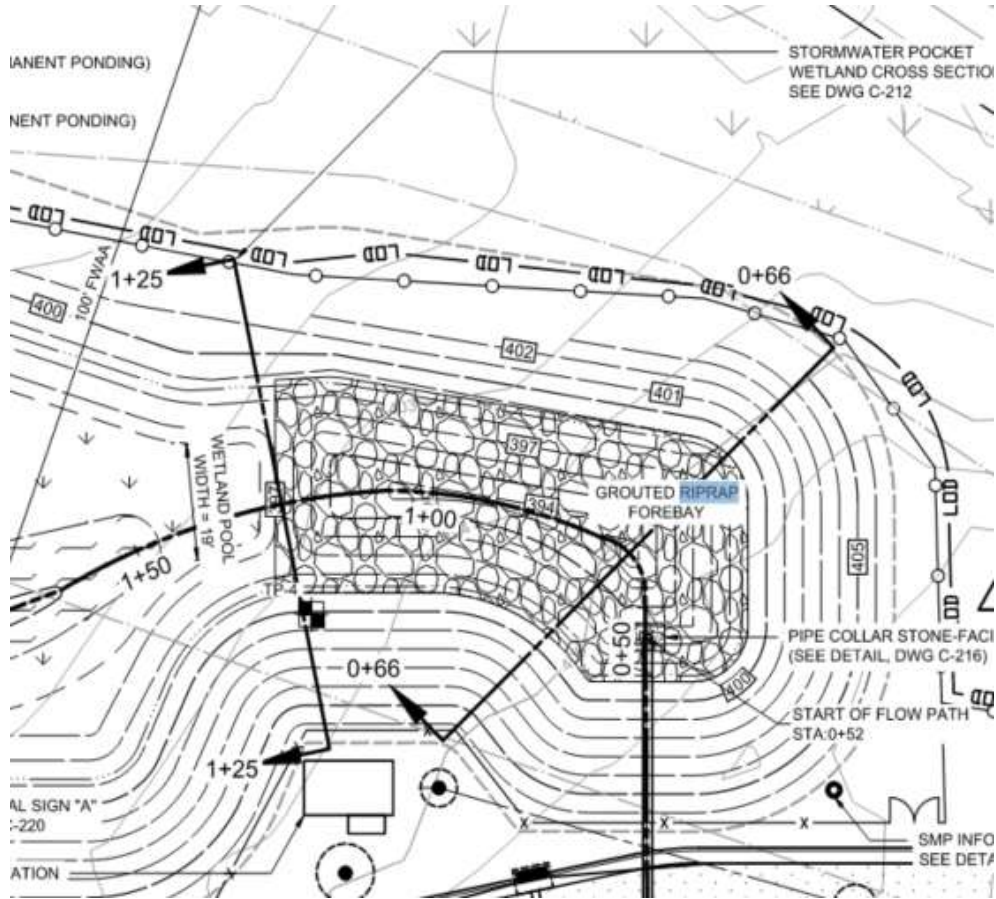


(SEE DETAIL, DWG C-2)



6.72
C-213

6.72
C-213

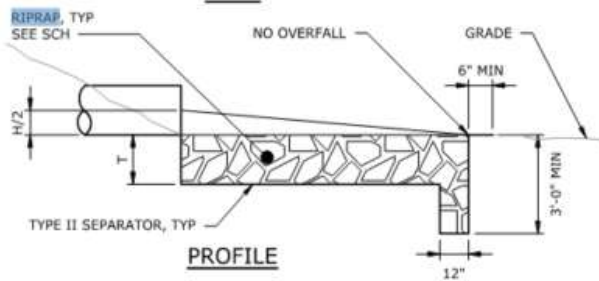


NOTES:

1. DETAIL AND SCHEDULE PROVIDE MINIMUM DIMENSIONS. SEE CONTRACT DWGS FOR LOCATIONS, EXTENTS, AND SHAPE OF RIPRAP OUTLET PROTECTION.
2. RIPRAP SHALL BE COMPOSED OF A WELL-GRADED MIXTURE OF ROCK SIZE SO THAT 50 PERCENT OF THE PIECES, BY WEIGHT SHALL BE LARGER THAN THE D50 SIZE. WELL-GRADED MIXTURE IS DEFINED AS A MIXTURE COMPOSED OF PRIMARILY LARGER ROCK SIZES, BUT WITH SUFFICIENT MIXTURE OF OTHER SIZES TO FILL THE SMALLER VOIDS BETWEEN THE ROCKS.

SCHEDULE OF DIMENSIONS

PIPE	H	W	W1	W2	L	T	D ₅₀	D _{MAX}
SD AND OF OUTFALL	SEE GRADING PLANS		20'	9"	14"			
WETLAND SPILLWAY	2'	--	8'	26'	22'	20"	9"	14"
FOREBAY HEADWALL	SEE GRADING PLANS		20"	9"	14"			
GALLERY DRAIN	1.25'	--	9'	18.5'	17'	20"	9"	14"
CD-1	1'	--	12'	24'	20'	20"	9"	14"
CD-2	1'	--	12'	24'	20'	20"	9"	14"



RIPRAP OUTLET PROTECTION

NTS