

State Land/Easement Project Work Plan
for
Construction of New Facilities and Expansion or
Modification of Existing Facilities
Fiscal Year 2023

Project # Click or tap to enter Project Number (leave blank if not applicable)

<u>Region</u>	<u>Project Title</u>
6	Constable Creek Foot Bridge Replacement

<u>Project Type</u>	<u>Town(s)</u>	<u>County</u>	<u>Management Unit</u>
Modification of Existing Facility	Webb	Herkimer	Pigeon Lake Wilderness

Project Description/Desired Condition(s):

Install a replacement foot bridge across Constable Creek on the Constable Pond-West Mountain Trail within the Pigeon Lake Wilderness per the attached work plan.

Trees to be Removed:

No trees greater than 1" DBH are to be cut.

Earthwork and Disturbance, Including Identification of Work Outside Trail Corridor:

See attached work plan.

Analysis of Project Location and Design Alternatives:

See attached work plan.

Description of Measures Taken to Mitigate Impacts on Vegetation, Water Quality, Wild Forest Character and the Aesthetics of the area:

See attached work plan.

Identification of Rare, Threatened or Endangered Species:

None known to be present.

Description of Use of Motorized Equipment and/or Motor Vehicles, if any:

No motorized vehicles to be used in a Wilderness area, motorized hand tools (chainsaw, drill) will be used but only during the off-peak use period (September 15th to May 24th).

Other Relevant Considerations:

See attached work plan.

Prepared by (Name & Title): Michael Marsh, Forester
Phone: 315-866-6330

Date: 12/16/2022

Approvals:

Comments:

REGULATORY CLEARANCE CHECKLIST – STATE LANDS and CONSERVATION EASEMENT PROJECTS

PROGRAM 12-	PERMIT	REQUIRED		SECURED BY	COMMENTS
		YES	NO	(NAME)	
Air Resources	Restricted Burning	<input type="checkbox"/>	<input checked="" type="checkbox"/>		
Mineral Resources	Mining	<input type="checkbox"/>	<input checked="" type="checkbox"/>		
Materials Management	Solid Waste Mgt. Fac.	<input type="checkbox"/>	<input checked="" type="checkbox"/>		
Water	Dam Safety Review	<input type="checkbox"/>	<input checked="" type="checkbox"/>		
	Const. in Flood Hazard	<input type="checkbox"/>	<input checked="" type="checkbox"/>		
	Public Water Supply	<input type="checkbox"/>	<input checked="" type="checkbox"/>		
	SPDES	<input type="checkbox"/>	<input checked="" type="checkbox"/>		
Spills Management	Petro. Bulk Storage	<input type="checkbox"/>	<input checked="" type="checkbox"/>		
Lands and Forests	Unit Management Plan	<input type="checkbox"/>	<input checked="" type="checkbox"/>		See APA SL2022-0014
	Tree Cutting	<input type="checkbox"/>	<input checked="" type="checkbox"/>		
	Protected Native Plants	<input type="checkbox"/>	<input checked="" type="checkbox"/>		
	Historic Preservation	<input type="checkbox"/>	<input checked="" type="checkbox"/>		
Fish and Wildlife	Freshwater Wetlands	<input type="checkbox"/>	<input checked="" type="checkbox"/>		
	Wild Scenic & Rec. River	<input type="checkbox"/>	<input checked="" type="checkbox"/>		
Compliance Services	Other Protection of Waters	<input type="checkbox"/>	<input checked="" type="checkbox"/>		State Agency, exempt
	EAF	<input checked="" type="checkbox"/>	<input type="checkbox"/>	Michael Marsh	See attached
	Negative Declaration	<input checked="" type="checkbox"/>	<input type="checkbox"/>	Michael Marsh	Prepared
	Env. Impact Statement	<input type="checkbox"/>	<input checked="" type="checkbox"/>		
	Water Quality Cert.	<input type="checkbox"/>	<input checked="" type="checkbox"/>		
DEC (other)	CP-17	<input type="checkbox"/>	<input checked="" type="checkbox"/>		
	Commissioner (aircraft, motorized equipment)	<input type="checkbox"/>	<input checked="" type="checkbox"/>		
	Flight Request	<input type="checkbox"/>	<input checked="" type="checkbox"/>		
	Contract Clearance Sh.	<input type="checkbox"/>	<input checked="" type="checkbox"/>		
	DOB Exemption	<input type="checkbox"/>	<input checked="" type="checkbox"/>		
Other Agencies	APA MOU	<input checked="" type="checkbox"/>	<input type="checkbox"/>	Michael Marsh	Attached, SL2022-0014
	APA Wetlands Permit	<input type="checkbox"/>	<input checked="" type="checkbox"/>		None present per APA
	Corps. of Engineers	<input type="checkbox"/>	<input checked="" type="checkbox"/>		No discharge of fill.
	Building Permits	<input type="checkbox"/>	<input checked="" type="checkbox"/>		
	Local Permits	<input type="checkbox"/>	<input checked="" type="checkbox"/>		
	Easements	<input type="checkbox"/>	<input checked="" type="checkbox"/>		
	Highway Enter DOT	<input type="checkbox"/>	<input checked="" type="checkbox"/>		
	Wastewater Disposal	<input type="checkbox"/>	<input checked="" type="checkbox"/>		

Constable Creek Bridge Replacement

Current Conditions

Within the Pigeon Lake Wilderness, the Constable Pond-West Mountain Trail off Higby Road is a popular starting point for those accessing Chub Lake and Mays Pond. Around 0.3 miles from the trailhead on Big Moose Road, this foot trail crosses Constable Creek, the outlet of Constable Pond. The foot bridge which used to span this stream was removed in the spring of 2021 due to its deteriorating condition. This project seeks to construct a replacement bridge in this same location.

Proposed Work

This project will be completed by a combined effort of DEC Operations Staff and a contract trail crew.

DEC Operations Staff will be tasked with purchasing the materials and transporting them to the site. After staging at the Wilderness gate, the help of a teamster (draft horse) contractor will be sought to move the heavy materials to the bridge site. These poles and lumber will be temporarily stored adjacent to the trail and bridge site until they are needed. Operations will also be asked to remove the waste remains from the old bridge (currently stockpiled not far from this site, they are to be staged at the gate, preferably by the same teamster contractor) for off-site disposal. The construction of the replacement bridge is tentatively planned for a contract trail crew but will ultimately be tasked to whoever is available for this project. Further, this project will be scheduled as other priorities permit.

The former bridge was 41 feet long by 3 feet wide and composed entirely of dimensional lumber; however, this replacement will be constructed differently as shown in the attached bridge design plan. Notably, poletimber stringers will be used with the total bridge length increased to 44 ft to better span this stream, thereby providing additional clearance for high water events and ice jams. This increase in length will require minor excavation of both banks to install the bridge sill (foundation) with the resulting material being used to construct a dirt ramp approaching the bridge. All digging will be well above the ordinary mean high-water mark of Constable Creek and there will not be any discharge of fill material in this stream. It should be noted that the design shows an optional set of stairs to be installed; this feature will only be constructed if the bridge cannot be set at an appropriate height with the surrounding banks.

No trees greater than, or equal to, 1 inch at Diameter at Breast Height (4.5 feet) are to be cut as part of this project.

Alternatives Considered

No Action: The recreating public was accustomed to using the former bridge to cross Constable Creek and there is desire to restore this access, especially since fording this stream can be very difficult, if not dangerous, during times of elevated flow. For these reasons, this option was rejected.

Reconstructing the Bridge at an Alternate Crossing: The boundary between Forest Preserve and private land is nearby; this trail is a “Webb Covenant” trail, meaning that all have the right to cross it by deed restrictions from Dr. William Seward Webb in 1895. Without any other access rights across adjacent privately owned land, it is very likely that any resulting crossing would have to be on State Land. Looking around in the immediate area, the current crossing appears to be the shortest way across Constable Creek. Other locations would require a longer bridge along with a trail reroute, which would require tree cutting (mostly of understory trees 4” DBH or less with a few larger midstory and overstory trees greater than 5” DBH). For all these reasons, this option was rejected.

Reconstructing the Bridge from Native Materials Sourced On-site: Building a bridge from native red spruce trees growing nearby was considered but ultimately rejected due to the longevity gained by using treated poles and dimensional lumber. Based on experience, bridges constructed from timber cut on-site generally have an expected lifespan of around 12 years while using comparable treated materials can effectively double any resulting structure’s time in service. This latter option gains some efficiency in that less work over the long run would be required. Further, although many good footbridges have been constructed from native timber, this location is not that remote, making transporting materials less of a burden than at other more remote Wilderness bridge sites. For these reasons, the native materials option was rejected.

Reconstructing a Bridge of the Same Length: Due to the need to better span the stream and sit a little higher on the bank, the proposed longer bridge was decided upon.

Closing this section of the Constable Pond-West Mountain Trail: Being a Webb Covenant Trail, this access has existed since prior to 1895; closing this long-time path used to access the Pigeon Lake Wilderness would likely cause an adverse public reaction. Even if closed as an official DEC maintained trail, the access rights would remain, and as a result, this path would likely still be used by various recreationists. For these reasons, this option was rejected.

Discussion on Site Impacts and Mitigation

The alternatives explored above all have their benefits and drawbacks, but to provide the same recreational access and experience demanded by the public, while simultaneously protecting the resource, replacing the bridge as proposed above appears to be the best option over the long-term. This proposed bridge would provide a

single, safe, hardened crossing of Constable Creek, where no action would leave hikers to find their own way across. This situation could potentially herd recreationists to try and cross during unsafe water levels as well as lead to impact of the stream banks through erosion caused by repeated foot traffic on these steeper slopes.

Although bridges, like the one proposed in this project, are allowable improvements within Wilderness areas underneath the Adirondack Park State Land Master Plan, the ideal character of this classification seeks to minimize the works of man. However, in this case, providing for safety, as well as for resource protection, through replacing this structure is appropriate. Constable Creek is a significant stream that can carry an impressive volume of water and is not easily or safely crossed for much of the year. Maintaining safe recreational access is a DEC priority.

Following reconstruction, the most direct access across Constable Creek will be restored. Afterwards, the number of users on this trail is expected to return to the levels experienced prior to removing the old bridge but not increase or decrease overall.

Erosion and Sediment Control Plan

Reconstructing the bridge will not have much, if any, impact since it will occur in the same corridor the old bridge was located. The only ground disturbance that will be necessary is minor excavation for the sill plates and on both banks this digging will be conducted away from running water and well above the mean high-water mark. Care will be taken that all material is stockpiled uphill of the bridge and not allowed to enter the stream. Lastly, to the extent possible, this project will be scheduled to avoid the high water/spring run-off season.

The Adirondack Park Agency has determined that wetlands will not be affected by this project.

Description of Motorized Equipment and Vehicles to be Used

Since this project is located within the Pigeon Lake Wilderness, motorized vehicles (such as trucks, ATVs/UTVs, skid-steer, etc.) cannot be used; however, all materials will be staged at the Wilderness boundary across private land in this manner. From this gate to the bridge site, non-motorized methods of transportation will have to be used.

Small hand-held power equipment, such as a chainsaw or drill, will only be used during the off-peak use period of Wilderness (defined by the Adirondack Park State Land Master Plan as being from September 15th to May 24th). If constructing this bridge is scheduled during the peak-use timeframe, then only non-motorized hand tools will be used.

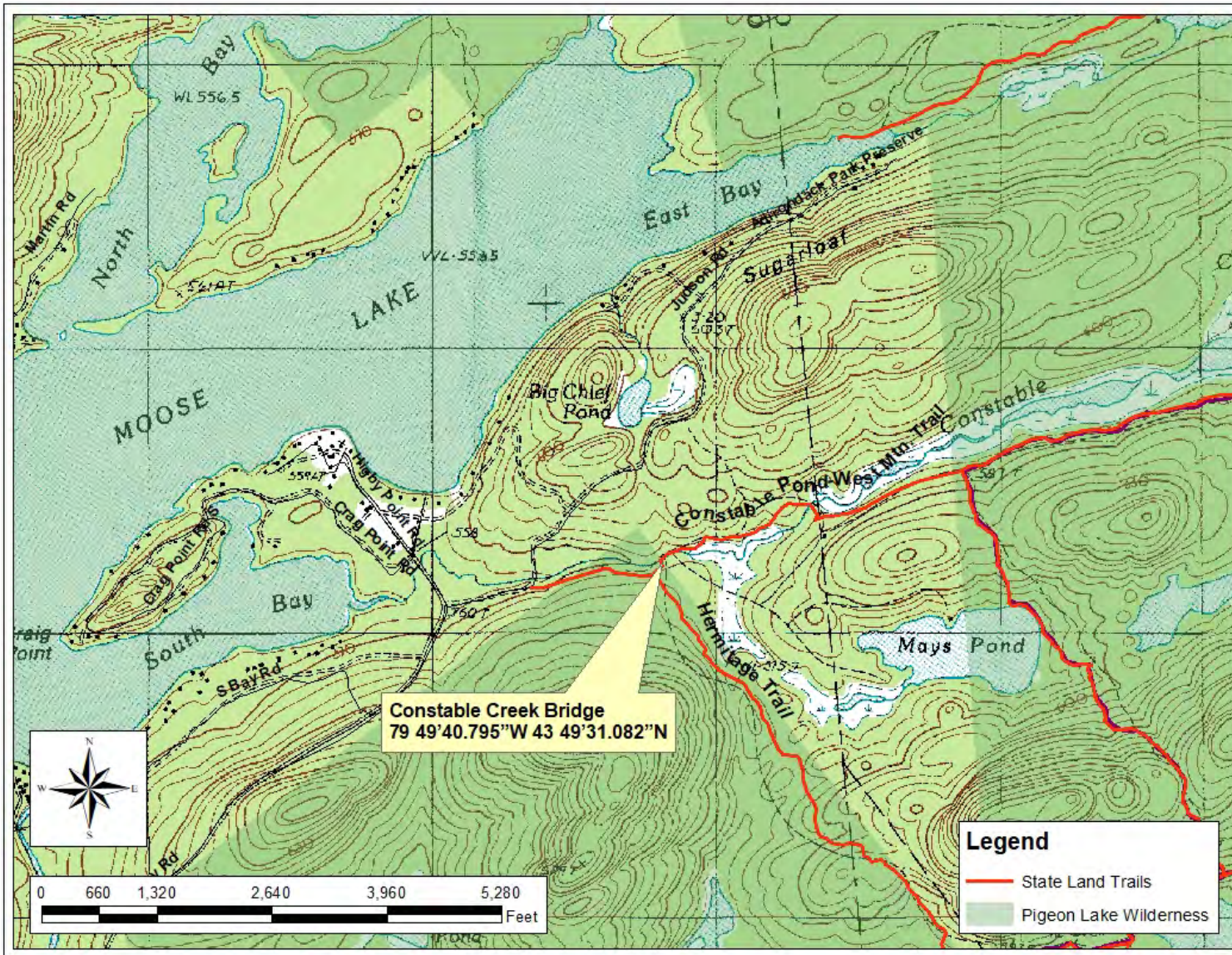
Designated Species/Critical Habitat

A check of the Natural Heritage Database indicates that there are no records of rare, threatened, or endangered species of flora or fauna at the project site. Additionally, there are no critical habitats in the project location.

National Register of Historic Places/Archeological Resources

This project is located on State Forest Preserve lands within the Adirondack Park, a National Historical Landmark. However, there are no other listings on the National Register of Historic Places within the project area.

A check of a GIS database maintained in consultation with the New York State Office of Parks, Recreation and Historic Preservation revealed no known archeological sites are present in the project area.



Location Map



Looking North at the bridge prior to its removal



Looking east at the bridge from the northern bank



Looking west at the bridge from the northern bank



Looking east at the bridge from the northern bank just prior to its removal



Looking north at the crossing from the southern bank following the removal of the bridge.

Pigeon Lakes Wilderness Area – Constable Creek Footbridge

GENERAL NOTES & SPECIFICATIONS:

Design Criteria

- New York State Department of Environmental Conservation *Piseco Corridor Snowmobile Bridge* and *Forest Preserve Snowmobile Bridge (FPSB)* plans referenced for design and details.

Timber & Lumber

- Lumber and timber for bridge components shall be Southern Yellow Pine.
- Sawn lumber shall be No.2 non-dense or better.
- Round timber stringers for the structure shall be sized and graded in accordance with ASTM D3200 – Standard Specifications and Test Method for Establishing Recommended Design Stresses for Round Timber Poles.
 - Gun Barrel Poles are recommended for use in construction of this structure; however, the design allows for use of natural tapered poles. If natural tapered poles are selected, the poles shall meet the requirements detailed on the FPSB plan. The 14" diameter requirement allows for a minimum 12" diameter tip and maximum 16" dia. butt. Strict conformance to these dimensions is required for the structure to achieve the maximum design loading. ***To source timber poles meeting the taper requirements, "Pile Lumber" shall be specified. Timber poles not meeting the required taper dimensions are considered "Pole Lumber" resulting in reduced residual surplus strength in the structure.***

Treatment

- All timber and lumber called out on the plans shall be pressure treated. Treatment retentions shall meet the requirements of the American Wood Protection association (AWPA) use categories as detailed below:

COMPONENT	USE CATEGORY
FOUNDATION (ABUTMENT OR SILL PLATE), STRINGERS, BACKWALL, AND ALL GROUND CONTACT COMPONENTS	UC4B
DECK PLANKS, RAIL & CURB COMPONENTS	UC4A

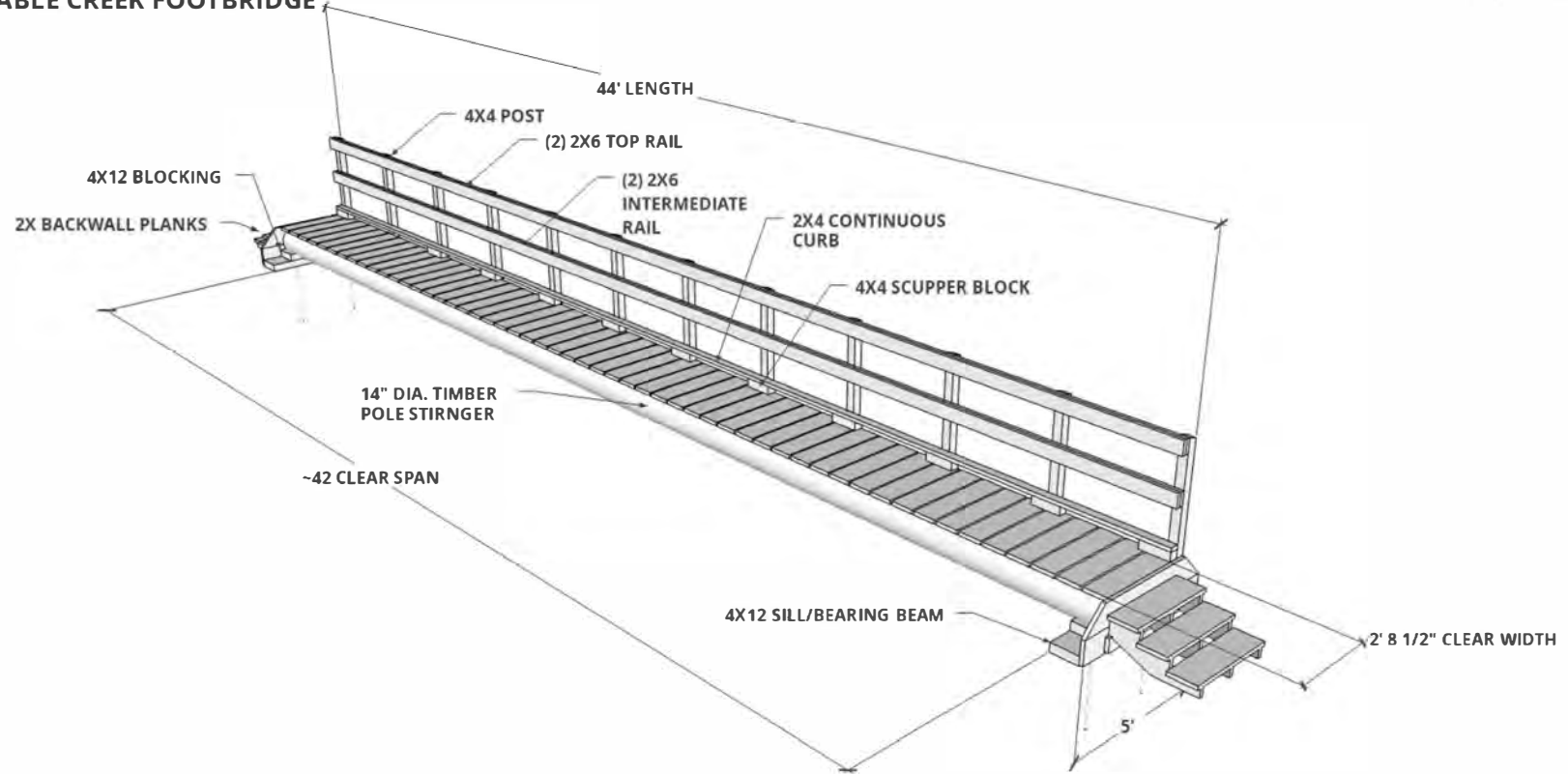
Hardware

- All fasteners and hardware shall be compatible for use with treated lumber (i.e., stainless steel, galvanized, or coated).

Construction

- Timber sill shall bear on native soil or ledge rock free from compressible organic material and capable of supporting the bridge under full load. Provide uniform bearing under the entire length.
- Treat all field fabrications, drilling, cuts, and abrasions with approved field applied preservative.
- Deck planks shall be laid heart side down.

**PIGEON LAKES WILDERNESS AREA
CONSTABLE CREEK FOOTBRIDGE**



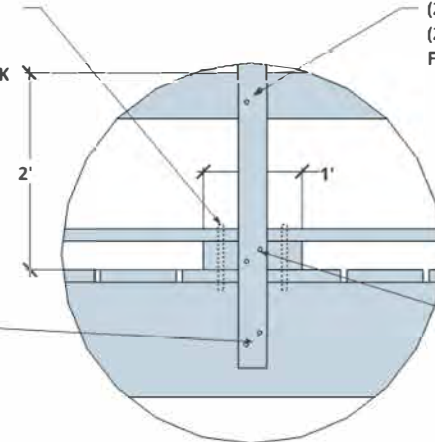
NO SCALE

WWM; 02.07.2022

**PIGEON LAKES WILDERNESS AREA
CONSTABLE CREEK FOOTBRIDGE**

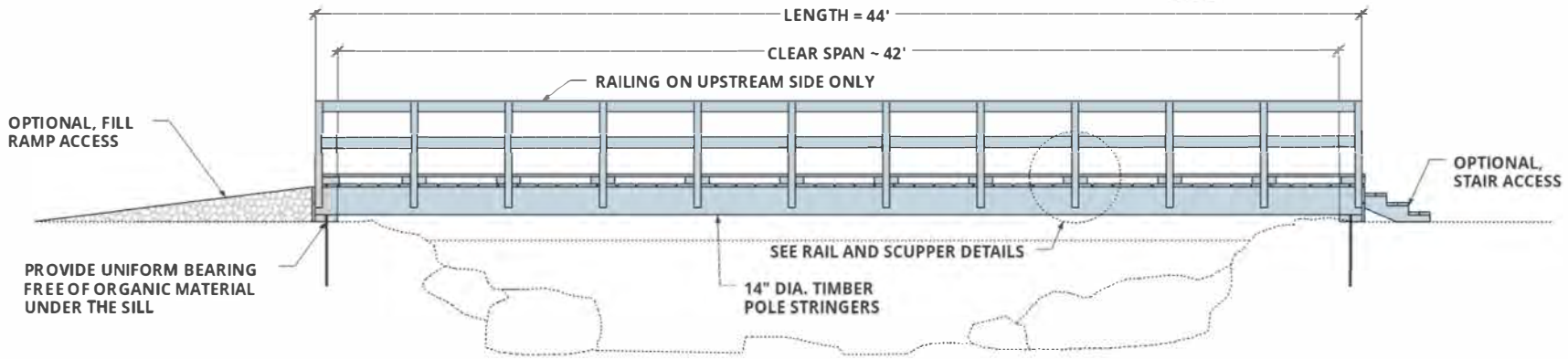
4X4 - 1'L SCUPPER TO DECK,
PAIR OF 5/8" DIA. X 8" LENGTH
CARRIAGE HEAD BOLTS WITH
WASHER AND NUT BELOW PLANK

(2) 2X6 RAIL TO POST,
(2) 6" TIMBERLOK
FASTENERS, TYPICAL



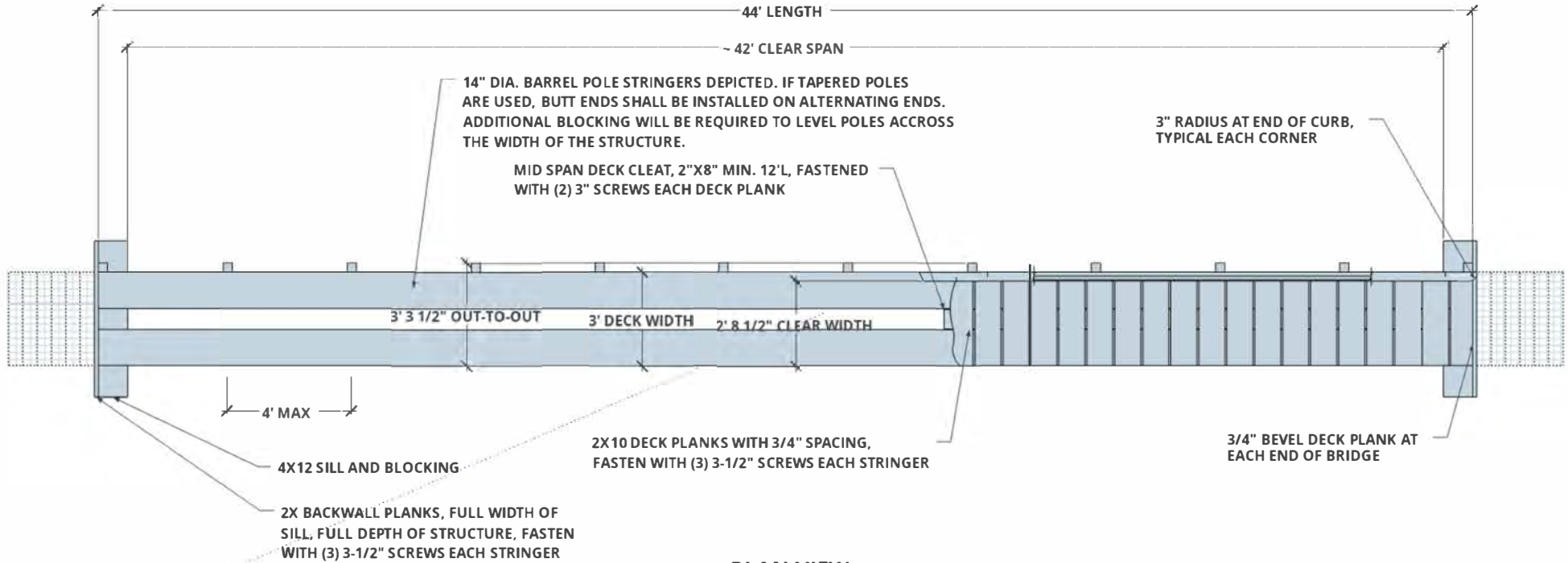
4X4 POST TO STRINGER,
(2) 10" TIMBERLOK FASTENER

(2) 2X6 RAIL TO POST,
(2) 6" TIMBERLOK
FASTENERS, TYPICAL



ELEVATION VIEW
NO SCALE

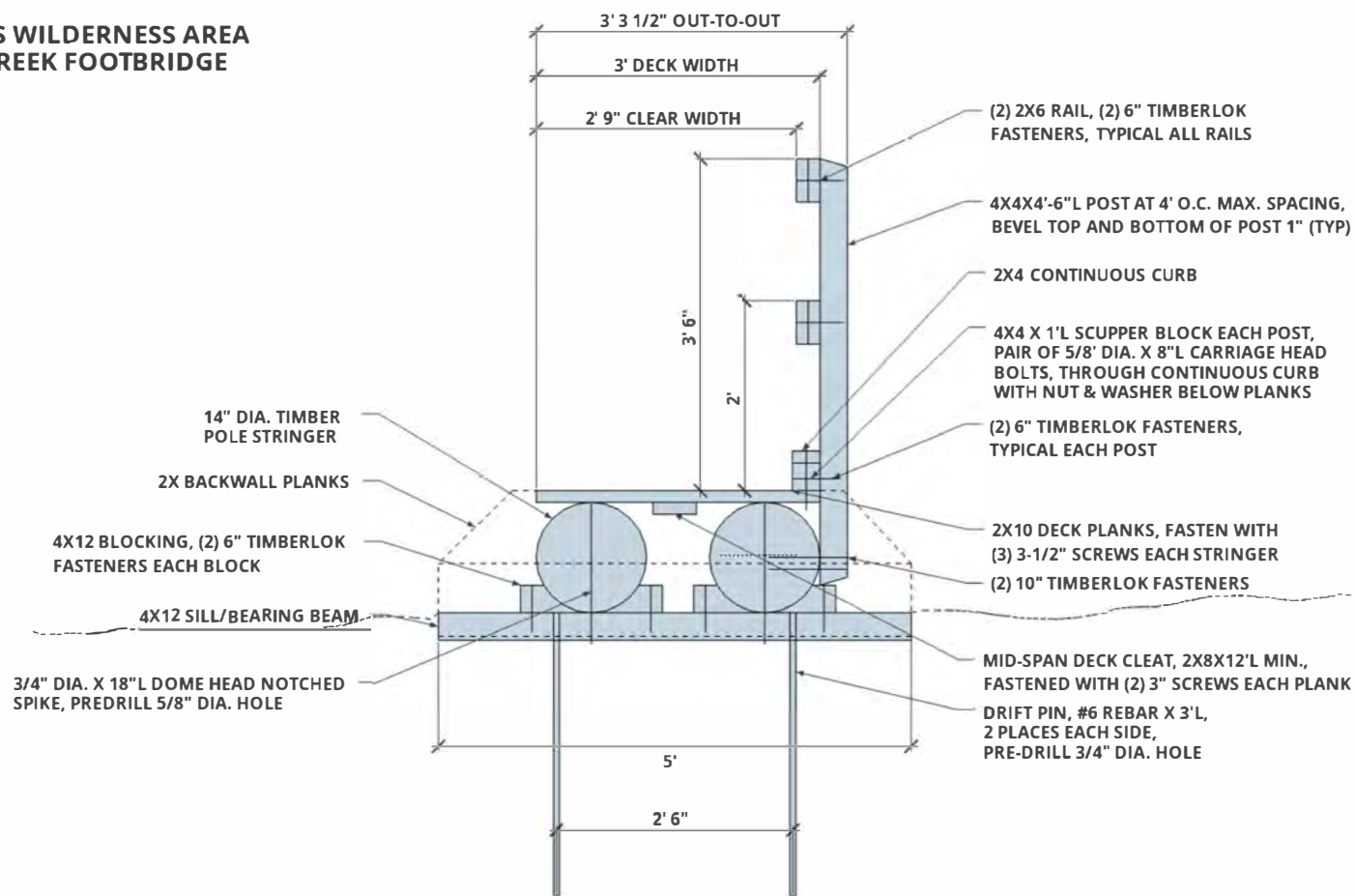
**PIGEON LAKES WILDERNESS AREA
CONSTABLE CREEK FOOTBRIDGE**



PLAN VIEW

NO SCALE

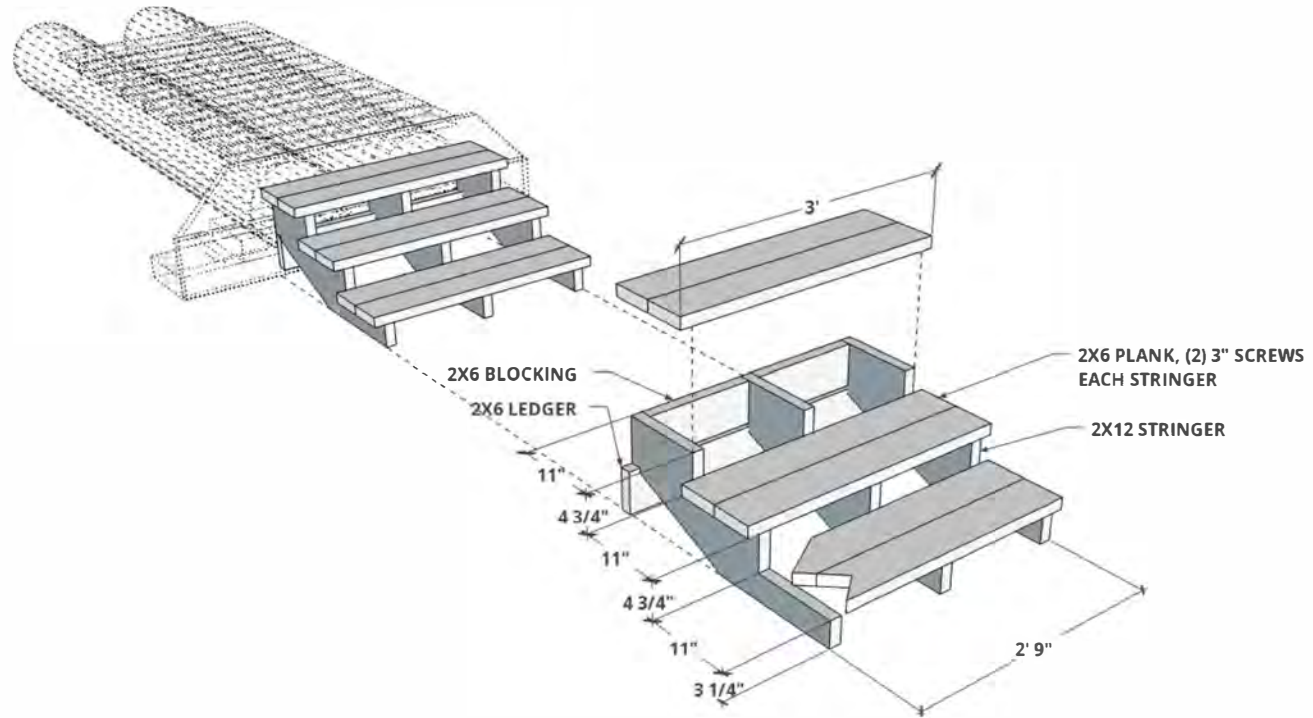
**PIGEON LAKES WILDERNESS AREA
CONSTABLE CREEK FOOTBRIDGE**



CROSS SECTION

WWM; 02.07.2022

**PIGEON LAKES WILDERNESS AREA
CONSTABLE CREEK FOOTBRIDGE**



ACCESS STAIR DETAIL (OPTIONAL)

WWM; 02.07.2022

State Land Consultation

File Number:



**Adirondack
Park Agency**

KATHY HOCHUL
Governor

BARBARA RICE
Executive Director

STATE LAND PROJECT CONSULTATION FORM

Completion of this form is required to receive a determination of Adirondack Park State Land Master Plan (APSLMP) and/or Unit Management Plan compliance and wetland jurisdiction for all DEC State land projects from the Agency. A site visit by Agency staff may be required depending on the complexity of the project, the natural resources involved and the level of documentation provided.

Part 1

(To be completed by DEC staff)

A. Project Identification

Project Name:

DEC Contact Person:

Telephone:

Email:

B. Project Location and Other Information

State Land Unit:

Region:

Town:

County:

Is a UMP for this unit completed and approved? Yes No

(If yes, please attach a copy of the cover page and all pages relevant to this project.)

Is the proposal to replace an existing structure? Yes No

If yes:

a) When was the structure constructed?

b) Will the new structure be the same size and located in the same place?

Yes No (Describe in the narrative, section D.)

C. Prior Agency Contact

Has there been prior contact (including any wetland delineation work) with the Agency regarding this project? Yes No

If yes, name of contact person(s) and date(s) (approximate, if not known):

Contact person: Date:

D. Project Description

Provide a brief, narrative description as precisely as possible with any additional location information necessary. Include/attach map(s), photograph(s) and plan(s) whenever possible. (attach another sheet if needed)

Replace the bridge per the attached work plan.

If the proposed project is determined to be compliant with the APSLMP but jurisdictional for wetlands, the Agency can determine if the project qualifies for *General Permit 2005G-1R* or if an individual Article 24 Freshwater Wetlands permit will be required. If either of these wetlands permits is applied for, additional information about the project will likely be requested. Agency staff can provide the appropriate permit application form with the return of this completed State Land Consultation Form, if requested.

Submitted by:

Date:

Return this form to the Agency (preferably electronically) for APA staff completion of Part 2.

Part 2

(To be completed by APA staff)

ADIRONDACK PARK STATE LAND MASTER PLAN COMPLIANCE REVIEW

Planning Status (check one)

- A) The project, as planned, is described sufficiently in an approved UMP and does not require additional consultation with APA State land staff before being undertaken.
- B) The project is proposed in insufficient detail in an approved UMP and so does require additional consultation with APA State land staff before being undertaken.
- C) The project is not proposed in an approved UMP and – via this submission - is the subject of consultation with APA State land staff to determine if it may be undertaken, as per Section V of the DEC/APA MOU.

DEC/APA Consultation Guidelines

Planning Status “A” Projects:

- The proposed project has been determined by the APA Board, via approval of a UMP, to conform to APSLMP guidelines and criteria in all respects other than potential wetland impacts.
- IF the result of the “Preliminary APA Wetlands Jurisdiction Assessment” (page 6) is an APA staff conclusion that jurisdictional wetlands:
 - WILL NOT be involved or affected by the proposed project, THEN, the project may be undertaken.
 - MAY BE involved or affected by the proposed project, THEN, the Agency can determine if the project qualifies for *General Permit 2005G-1R* or an individual Article 24 Freshwater Wetlands permit and may request additional information.

Planning Status “B” Projects:

- The proposed project, via review and approval of a UMP, has received conceptual approval by the APA Board but must still be reviewed by APA State land staff in sufficient detail before it may be determined to conform to APSLMP guidelines and criteria in all respects other than potential wetland impacts.
- IF the result of the “Preliminary APA Wetlands Jurisdiction Assessment” (page 6) is an APA staff conclusion that jurisdictional wetlands:
 - WILL NOT be involved or affected by the proposed project, THEN, the project may be undertaken.
 - MAY BE involved or affected by the proposed project, THEN, the Agency can determine if the project qualifies for *General Permit 2005G-1R* or an individual Article 24 Freshwater Wetlands permit and may request additional information.
- IF the result of the “APSLMP Compliance Review” is a conclusion that the proposed project:
 - DOES NOT CONFORM to APSLMP guidelines and criteria regardless of wetland impacts, THEN, the project should not be undertaken by DEC staff.

Planning Status “C” Projects:

- The project has NOT been proposed within a UMP approved by the APA Board, and so it has not been determined to conform to APSLMP guidelines and criteria. It must therefore be determined by APA State land staff to meet the definition of “ordinary maintenance,” “rehabilitation” or “minor relocation” of conforming structures or improvements as per Section V of the DEC/APA MOU if it is to be undertaken without being included in such a UMP.
- IF the result of the determination is that the proposed project:
 - CANNOT BE so defined, THEN, the project should not be undertaken by DEC staff at this time.
 - CAN BE so defined, THEN, the Agency can determine if the project qualifies for *General Permit 2005G-1R* or an individual Article 24 Freshwater Wetlands permit and may request additional information.
- IF the result of the “Preliminary APA Wetlands Jurisdiction Assessment” (page 6) is an APA staff conclusion that jurisdictional wetlands:

- WILL NOT be involved or affected by the proposed project, THEN, the project may be undertaken.
- MAY BE involved or affected by the proposed project, THEN, the Agency can determine if the project qualifies for *General Permit 2005G-1R* or an individual Article 24 Freshwater Wetlands permit and may request additional information.

APA State Land Staff Determination Regarding Consistency with the Adirondack Park State Land Master Plan

Staff have determined the proposed project – in all respects other than potential wetlands impacts – conforms , does not conform , to the guidelines and criteria of the Adirondack Park State Land Master Plan.

/s/ Megan Phillips

5/23/22

Deputy Director, Planning or designee

Date

Rationale for Determination

See attached RationaleForDetermination.pdf

PRELIMINARY APA WETLANDS JURISDICTION ASSESSMENT

1) Is the proposed project located in a wetland? Yes No

2) Does the project involve any of the following activities whether or not it is located in a wetland? Yes No

Discharge of liquid wastes into (or so as to drain into) a wetland, including sewage treatment effluent within 100' of a wetland? Yes No

Any other form of pollution of a wetland? Yes No

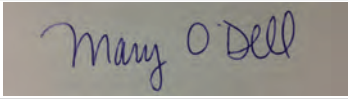
Any activity that may substantially impair the functions served by, or the benefits derived from, wetlands?

Yes

No

APA RASS Staff Preliminary Assessment Regarding Adirondack Park Freshwater Wetlands Jurisdiction

Staff have determined that wetlands subject to the review jurisdiction of the Adirondack Park Agency may , will not be involved or affected by the proposal.



5/17/22

Supervisor, Natural Resource Analysis or designee

Date

Rationale for Determination

Photos submitted by the applicant do not indicate the presence of wetlands in the vicinity of the project.

If the project is determined to be jurisdictional for wetlands, the Agency will determine if the project qualifies for *General Permit 2005G-1R* or an individual Article 24 Freshwater Wetlands permit and may request additional information.

Form completed by APA State Land member: Kevin Prickett

Completion Date: 5/17/22

Distribution:

DEC Contact: Michael Marsh

Regional Forester: Keith Rivers

Natural Resources Supervisor of Region: Fred Munk

Forest Preserve Coordinator, Central Office: Josh Clague

Rationale for Determination

This project consists of the replacement of a pre-existing bridge in the Pigeon Lake Wilderness on the Constable Pond-West Mountain Trail. The UMP for the area was completed in 1992. The UMP identifies the project site as being on the Constable Pond-West Mt. Trail. The UMP does include an inventory of bridges in the unit, including one on Constable Creek. Map 3 of the UMP identifies the trail.

Bridges are identified in the APSLMP as a structure. Furthermore, foot bridges (constructed of natural materials) are listed as a structure considered as conforming to Wilderness standards and their maintenance, rehabilitation and construction permitted. The DEC/APA MOU states “ordinary maintenance, rehabilitation, and minor relocation shall include....replacement of existing...bridges.” This activity is one that will not materially change the use or appearance of land or the vegetation thereon nor involve the cutting or destruction of trees over three inch dbh. This activity will be carried out in a manner that preserves the land and trails consistent with the character of the area prior to commencement. The re-construction of the bridge is being completed on an existing trail approved in a UMP. Replacement of the bridge is considered “routine maintenance” and does not require an amendment to the UMP.

Full Environmental Assessment Form
Part 1 - Project and Setting

Instructions for Completing Part 1

Part 1 is to be completed by the applicant or project sponsor. Responses become part of the application for approval or funding, are subject to public review, and may be subject to further verification.

Complete Part 1 based on information currently available. If additional research or investigation would be needed to fully respond to any item, please answer as thoroughly as possible based on current information; indicate whether missing information does not exist, or is not reasonably available to the sponsor; and, when possible, generally describe work or studies which would be necessary to update or fully develop that information.

Applicants/sponsors must complete all items in Sections A & B. In Sections C, D & E, most items contain an initial question that must be answered either “Yes” or “No”. If the answer to the initial question is “Yes”, complete the sub-questions that follow. If the answer to the initial question is “No”, proceed to the next question. Section F allows the project sponsor to identify and attach any additional information. Section G requires the name and signature of the applicant or project sponsor to verify that the information contained in Part 1 is accurate and complete.

A. Project and Applicant/Sponsor Information.

Name of Action or Project:		
Project Location (describe, and attach a general location map):		
Brief Description of Proposed Action (include purpose or need):		
Name of Applicant/Sponsor:		Telephone:
		E-Mail:
Address:		
City/PO:	State:	Zip Code:
Project Contact (if not same as sponsor; give name and title/role):		Telephone:
		E-Mail:
Address:		
City/PO:	State:	Zip Code:
Property Owner (if not same as sponsor):		Telephone:
		E-Mail:
Address:		
City/PO:	State:	Zip Code:

B. Government Approvals

B. Government Approvals, Funding, or Sponsorship. (“Funding” includes grants, loans, tax relief, and any other forms of financial assistance.)

Government Entity	If Yes: Identify Agency and Approval(s) Required	Application Date (Actual or projected)
a. City Council, Town Board, or Village Board of Trustees <input type="checkbox"/> Yes <input type="checkbox"/> No		
b. City, Town or Village Planning Board or Commission <input type="checkbox"/> Yes <input type="checkbox"/> No		
c. City, Town or Village Zoning Board of Appeals <input type="checkbox"/> Yes <input type="checkbox"/> No		
d. Other local agencies <input type="checkbox"/> Yes <input type="checkbox"/> No		
e. County agencies <input type="checkbox"/> Yes <input type="checkbox"/> No		
f. Regional agencies <input type="checkbox"/> Yes <input type="checkbox"/> No		
g. State agencies <input type="checkbox"/> Yes <input type="checkbox"/> No		
h. Federal agencies <input type="checkbox"/> Yes <input type="checkbox"/> No		
i. Coastal Resources. <ul style="list-style-type: none"> <li data-bbox="121 829 1485 861">i. Is the project site within a Coastal Area, or the waterfront area of a Designated Inland Waterway? <input type="checkbox"/> Yes <input type="checkbox"/> No <li data-bbox="121 892 1485 924">ii. Is the project site located in a community with an approved Local Waterfront Revitalization Program? <input type="checkbox"/> Yes <input type="checkbox"/> No <li data-bbox="121 924 1485 955">iii. Is the project site within a Coastal Erosion Hazard Area? <input type="checkbox"/> Yes <input type="checkbox"/> No 		

C. Planning and Zoning

C.1. Planning and zoning actions.

Will administrative or legislative adoption, or amendment of a plan, local law, ordinance, rule or regulation be the only approval(s) which must be granted to enable the proposed action to proceed? Yes No

- **If Yes**, complete sections C, F and G.
- **If No**, proceed to question C.2 and complete all remaining sections and questions in Part 1

C.2. Adopted land use plans.

a. Do any municipally- adopted (city, town, village or county) comprehensive land use plan(s) include the site where the proposed action would be located? Yes No

If Yes, does the comprehensive plan include specific recommendations for the site where the proposed action would be located? Yes No

b. Is the site of the proposed action within any local or regional special planning district (for example: Greenway; Brownfield Opportunity Area (BOA); designated State or Federal heritage area; watershed management plan; or other?) Yes No

If Yes, identify the plan(s):

c. Is the proposed action located wholly or partially within an area listed in an adopted municipal open space plan, or an adopted municipal farmland protection plan? Yes No

If Yes, identify the plan(s):

C.3. Zoning

a. Is the site of the proposed action located in a municipality with an adopted zoning law or ordinance. Yes No
If Yes, what is the zoning classification(s) including any applicable overlay district?

b. Is the use permitted or allowed by a special or conditional use permit? Yes No

c. Is a zoning change requested as part of the proposed action? Yes No

If Yes,

i. What is the proposed new zoning for the site? _____

C.4. Existing community services.

a. In what school district is the project site located? _____

b. What police or other public protection forces serve the project site?

c. Which fire protection and emergency medical services serve the project site?

d. What parks serve the project site?

D. Project Details

D.1. Proposed and Potential Development

a. What is the general nature of the proposed action (e.g., residential, industrial, commercial, recreational; if mixed, include all components)?

b. a. Total acreage of the site of the proposed action? _____ acres

b. Total acreage to be physically disturbed? _____ acres

c. Total acreage (project site and any contiguous properties) owned or controlled by the applicant or project sponsor? _____ acres

c. Is the proposed action an expansion of an existing project or use? Yes No

i. If Yes, what is the approximate percentage of the proposed expansion and identify the units (e.g., acres, miles, housing units, square feet)? % _____ Units: _____

d. Is the proposed action a subdivision, or does it include a subdivision? Yes No

If Yes,

i. Purpose or type of subdivision? (e.g., residential, industrial, commercial; if mixed, specify types)

ii. Is a cluster/conservation layout proposed? Yes No

iii. Number of lots proposed? _____

iv. Minimum and maximum proposed lot sizes? Minimum _____ Maximum _____

e. Will the proposed action be constructed in multiple phases? Yes No

i. If No, anticipated period of construction: _____ months

ii. If Yes:

• Total number of phases anticipated _____

• Anticipated commencement date of phase 1 (including demolition) _____ month _____ year

• Anticipated completion date of final phase _____ month _____ year

• Generally describe connections or relationships among phases, including any contingencies where progress of one phase may determine timing or duration of future phases: _____

f. Does the project include new residential uses? Yes No
 If Yes, show numbers of units proposed.

	<u>One Family</u>	<u>Two Family</u>	<u>Three Family</u>	<u>Multiple Family (four or more)</u>
Initial Phase	_____	_____	_____	_____
At completion	_____	_____	_____	_____
of all phases	_____	_____	_____	_____

g. Does the proposed action include new non-residential construction (including expansions)? Yes No
 If Yes,

i. Total number of structures _____

ii. Dimensions (in feet) of largest proposed structure: _____ height; _____ width; and _____ length

iii. Approximate extent of building space to be heated or cooled: _____ square feet

h. Does the proposed action include construction or other activities that will result in the impoundment of any liquids, such as creation of a water supply, reservoir, pond, lake, waste lagoon or other storage? Yes No
 If Yes,

i. Purpose of the impoundment: _____

ii. If a water impoundment, the principal source of the water: Ground water Surface water streams Other specify: _____

iii. If other than water, identify the type of impounded/contained liquids and their source.

iv. Approximate size of the proposed impoundment. Volume: _____ million gallons; surface area: _____ acres

v. Dimensions of the proposed dam or impounding structure: _____ height; _____ length

vi. Construction method/materials for the proposed dam or impounding structure (e.g., earth fill, rock, wood, concrete):

D.2. Project Operations

a. Does the proposed action include any excavation, mining, or dredging, during construction, operations, or both? Yes No
 (Not including general site preparation, grading or installation of utilities or foundations where all excavated materials will remain onsite)
 If Yes:

i. What is the purpose of the excavation or dredging? _____

ii. How much material (including rock, earth, sediments, etc.) is proposed to be removed from the site?

- Volume (specify tons or cubic yards): _____
- Over what duration of time? _____

iii. Describe nature and characteristics of materials to be excavated or dredged, and plans to use, manage or dispose of them.

iv. Will there be onsite dewatering or processing of excavated materials? Yes No
 If yes, describe. _____

v. What is the total area to be dredged or excavated? _____ acres

vi. What is the maximum area to be worked at any one time? _____ acres

vii. What would be the maximum depth of excavation or dredging? _____ feet

viii. Will the excavation require blasting? Yes No

ix. Summarize site reclamation goals and plan: _____

b. Would the proposed action cause or result in alteration of, increase or decrease in size of, or encroachment into any existing wetland, waterbody, shoreline, beach or adjacent area? Yes No
 If Yes:

i. Identify the wetland or waterbody which would be affected (by name, water index number, wetland map number or geographic description): _____

ii. Describe how the proposed action would affect that waterbody or wetland, e.g. excavation, fill, placement of structures, or alteration of channels, banks and shorelines. Indicate extent of activities, alterations and additions in square feet or acres:

iii. Will the proposed action cause or result in disturbance to bottom sediments? Yes No

If Yes, describe: _____

iv. Will the proposed action cause or result in the destruction or removal of aquatic vegetation? Yes No

If Yes:

- acres of aquatic vegetation proposed to be removed: _____
- expected acreage of aquatic vegetation remaining after project completion: _____
- purpose of proposed removal (e.g. beach clearing, invasive species control, boat access): _____
- proposed method of plant removal: _____
- if chemical/herbicide treatment will be used, specify product(s): _____

v. Describe any proposed reclamation/mitigation following disturbance: _____

c. Will the proposed action use, or create a new demand for water? Yes No

If Yes:

i. Total anticipated water usage/demand per day: _____ gallons/day

ii. Will the proposed action obtain water from an existing public water supply? Yes No

If Yes:

- Name of district or service area: _____
- Does the existing public water supply have capacity to serve the proposal? Yes No
- Is the project site in the existing district? Yes No
- Is expansion of the district needed? Yes No
- Do existing lines serve the project site? Yes No

iii. Will line extension within an existing district be necessary to supply the project? Yes No

If Yes:

- Describe extensions or capacity expansions proposed to serve this project: _____
- Source(s) of supply for the district: _____

iv. Is a new water supply district or service area proposed to be formed to serve the project site? Yes No

If Yes:

- Applicant/sponsor for new district: _____
- Date application submitted or anticipated: _____
- Proposed source(s) of supply for new district: _____

v. If a public water supply will not be used, describe plans to provide water supply for the project: _____

vi. If water supply will be from wells (public or private), what is the maximum pumping capacity: _____ gallons/minute.

d. Will the proposed action generate liquid wastes? Yes No

If Yes:

i. Total anticipated liquid waste generation per day: _____ gallons/day

ii. Nature of liquid wastes to be generated (e.g., sanitary wastewater, industrial; if combination, describe all components and approximate volumes or proportions of each): _____

iii. Will the proposed action use any existing public wastewater treatment facilities? Yes No

If Yes:

- Name of wastewater treatment plant to be used: _____
- Name of district: _____
- Does the existing wastewater treatment plant have capacity to serve the project? Yes No
- Is the project site in the existing district? Yes No
- Is expansion of the district needed? Yes No

• Do existing sewer lines serve the project site? Yes No
 • Will a line extension within an existing district be necessary to serve the project? Yes No
 If Yes:
 • Describe extensions or capacity expansions proposed to serve this project: _____

iv. Will a new wastewater (sewage) treatment district be formed to serve the project site? Yes No
 If Yes:
 • Applicant/sponsor for new district: _____
 • Date application submitted or anticipated: _____
 • What is the receiving water for the wastewater discharge? _____

v. If public facilities will not be used, describe plans to provide wastewater treatment for the project, including specifying proposed receiving water (name and classification if surface discharge or describe subsurface disposal plans):

vi. Describe any plans or designs to capture, recycle or reuse liquid waste: _____

e. Will the proposed action disturb more than one acre and create stormwater runoff, either from new point sources (i.e. ditches, pipes, swales, curbs, gutters or other concentrated flows of stormwater) or non-point source (i.e. sheet flow) during construction or post construction? Yes No
 If Yes:
 i. How much impervious surface will the project create in relation to total size of project parcel?
 _____ Square feet or _____ acres (impervious surface)
 _____ Square feet or _____ acres (parcel size)
 ii. Describe types of new point sources. _____

iii. Where will the stormwater runoff be directed (i.e. on-site stormwater management facility/structures, adjacent properties, groundwater, on-site surface water or off-site surface waters)?

 • If to surface waters, identify receiving water bodies or wetlands: _____

• Will stormwater runoff flow to adjacent properties? Yes No

iv. Does the proposed plan minimize impervious surfaces, use pervious materials or collect and re-use stormwater? Yes No

f. Does the proposed action include, or will it use on-site, one or more sources of air emissions, including fuel combustion, waste incineration, or other processes or operations? Yes No
 If Yes, identify:
 i. Mobile sources during project operations (e.g., heavy equipment, fleet or delivery vehicles)

 ii. Stationary sources during construction (e.g., power generation, structural heating, batch plant, crushers)

 iii. Stationary sources during operations (e.g., process emissions, large boilers, electric generation)

g. Will any air emission sources named in D.2.f (above), require a NY State Air Registration, Air Facility Permit, or Federal Clean Air Act Title IV or Title V Permit? Yes No
 If Yes:
 i. Is the project site located in an Air quality non-attainment area? (Area routinely or periodically fails to meet ambient air quality standards for all or some parts of the year) Yes No
 ii. In addition to emissions as calculated in the application, the project will generate:
 • _____ Tons/year (short tons) of Carbon Dioxide (CO₂)
 • _____ Tons/year (short tons) of Nitrous Oxide (N₂O)
 • _____ Tons/year (short tons) of Perfluorocarbons (PFCs)
 • _____ Tons/year (short tons) of Sulfur Hexafluoride (SF₆)
 • _____ Tons/year (short tons) of Carbon Dioxide equivalent of Hydroflouorocarbons (HFCs)
 • _____ Tons/year (short tons) of Hazardous Air Pollutants (HAPs)

h. Will the proposed action generate or emit methane (including, but not limited to, sewage treatment plants, landfills, composting facilities)? Yes No

If Yes:

i. Estimate methane generation in tons/year (metric): _____

ii. Describe any methane capture, control or elimination measures included in project design (e.g., combustion to generate heat or electricity, flaring): _____

i. Will the proposed action result in the release of air pollutants from open-air operations or processes, such as quarry or landfill operations? Yes No

If Yes: Describe operations and nature of emissions (e.g., diesel exhaust, rock particulates/dust): _____

j. Will the proposed action result in a substantial increase in traffic above present levels or generate substantial new demand for transportation facilities or services? Yes No

If Yes:

i. When is the peak traffic expected (Check all that apply): Morning Evening Weekend
 Randomly between hours of _____ to _____.

ii. For commercial activities only, projected number of truck trips/day and type (e.g., semi trailers and dump trucks): _____

iii. Parking spaces: Existing _____ Proposed _____ Net increase/decrease _____

iv. Does the proposed action include any shared use parking? Yes No

v. If the proposed action includes any modification of existing roads, creation of new roads or change in existing access, describe: _____

vi. Are public/private transportation service(s) or facilities available within 1/2 mile of the proposed site? Yes No

vii. Will the proposed action include access to public transportation or accommodations for use of hybrid, electric or other alternative fueled vehicles? Yes No

viii. Will the proposed action include plans for pedestrian or bicycle accommodations for connections to existing pedestrian or bicycle routes? Yes No

k. Will the proposed action (for commercial or industrial projects only) generate new or additional demand for energy? Yes No

If Yes:

i. Estimate annual electricity demand during operation of the proposed action: _____

ii. Anticipated sources/suppliers of electricity for the project (e.g., on-site combustion, on-site renewable, via grid/local utility, or other): _____

iii. Will the proposed action require a new, or an upgrade, to an existing substation? Yes No

l. Hours of operation. Answer all items which apply.

<p><i>i.</i> During Construction:</p> <ul style="list-style-type: none"> • Monday - Friday: _____ • Saturday: _____ • Sunday: _____ • Holidays: _____ 	<p><i>ii.</i> During Operations:</p> <ul style="list-style-type: none"> • Monday - Friday: _____ • Saturday: _____ • Sunday: _____ • Holidays: _____
---	--

<p>m. Will the proposed action produce noise that will exceed existing ambient noise levels during construction, operation, or both? <input type="checkbox"/> Yes <input type="checkbox"/> No</p> <p>If yes:</p> <p>i. Provide details including sources, time of day and duration:</p> <p>_____</p> <p>_____</p>	
<p>ii. Will the proposed action remove existing natural barriers that could act as a noise barrier or screen? <input type="checkbox"/> Yes <input type="checkbox"/> No</p> <p>Describe: _____</p> <p>_____</p>	
<p>n. Will the proposed action have outdoor lighting? <input type="checkbox"/> Yes <input type="checkbox"/> No</p> <p>If yes:</p> <p>i. Describe source(s), location(s), height of fixture(s), direction/aim, and proximity to nearest occupied structures:</p> <p>_____</p> <p>_____</p>	
<p>ii. Will proposed action remove existing natural barriers that could act as a light barrier or screen? <input type="checkbox"/> Yes <input type="checkbox"/> No</p> <p>Describe: _____</p> <p>_____</p>	
<p>o. Does the proposed action have the potential to produce odors for more than one hour per day? <input type="checkbox"/> Yes <input type="checkbox"/> No</p> <p>If Yes, describe possible sources, potential frequency and duration of odor emissions, and proximity to nearest occupied structures: _____</p> <p>_____</p> <p>_____</p>	
<p>p. Will the proposed action include any bulk storage of petroleum (combined capacity of over 1,100 gallons) or chemical products 185 gallons in above ground storage or any amount in underground storage? <input type="checkbox"/> Yes <input type="checkbox"/> No</p> <p>If Yes:</p> <p>i. Product(s) to be stored _____</p> <p>ii. Volume(s) _____ per unit time _____ (e.g., month, year)</p> <p>iii. Generally, describe the proposed storage facilities: _____</p> <p>_____</p>	
<p>q. Will the proposed action (commercial, industrial and recreational projects only) use pesticides (i.e., herbicides, insecticides) during construction or operation? <input type="checkbox"/> Yes <input type="checkbox"/> No</p> <p>If Yes:</p> <p>i. Describe proposed treatment(s):</p> <p>_____</p> <p>_____</p> <p>_____</p>	
<p>ii. Will the proposed action use Integrated Pest Management Practices? <input type="checkbox"/> Yes <input type="checkbox"/> No</p>	
<p>r. Will the proposed action (commercial or industrial projects only) involve or require the management or disposal of solid waste (excluding hazardous materials)? <input type="checkbox"/> Yes <input type="checkbox"/> No</p> <p>If Yes:</p> <p>i. Describe any solid waste(s) to be generated during construction or operation of the facility:</p> <ul style="list-style-type: none"> • Construction: _____ tons per _____ (unit of time) • Operation : _____ tons per _____ (unit of time) <p>ii. Describe any proposals for on-site minimization, recycling or reuse of materials to avoid disposal as solid waste:</p> <ul style="list-style-type: none"> • Construction: _____ _____ • Operation: _____ _____ <p>iii. Proposed disposal methods/facilities for solid waste generated on-site:</p> <ul style="list-style-type: none"> • Construction: _____ _____ • Operation: _____ _____ 	

s. Does the proposed action include construction or modification of a solid waste management facility? Yes No
 If Yes:
 i. Type of management or handling of waste proposed for the site (e.g., recycling or transfer station, composting, landfill, or other disposal activities): _____
 ii. Anticipated rate of disposal/processing:
 • _____ Tons/month, if transfer or other non-combustion/thermal treatment, or
 • _____ Tons/hour, if combustion or thermal treatment
 iii. If landfill, anticipated site life: _____ years

t. Will the proposed action at the site involve the commercial generation, treatment, storage, or disposal of hazardous waste? Yes No
 If Yes:
 i. Name(s) of all hazardous wastes or constituents to be generated, handled or managed at facility: _____

 ii. Generally describe processes or activities involving hazardous wastes or constituents: _____

 iii. Specify amount to be handled or generated _____ tons/month
 iv. Describe any proposals for on-site minimization, recycling or reuse of hazardous constituents: _____

 v. Will any hazardous wastes be disposed at an existing offsite hazardous waste facility? Yes No
 If Yes: provide name and location of facility: _____

 If No: describe proposed management of any hazardous wastes which will not be sent to a hazardous waste facility:

E. Site and Setting of Proposed Action

E.1. Land uses on and surrounding the project site

a. Existing land uses.
 i. Check all uses that occur on, adjoining and near the project site.
 Urban Industrial Commercial Residential (suburban) Rural (non-farm)
 Forest Agriculture Aquatic Other (specify): _____
 ii. If mix of uses, generally describe:

b. Land uses and covertypes on the project site.

Land use or Covertypes	Current Acreage	Acreage After Project Completion	Change (Acres +/-)
• Roads, buildings, and other paved or impervious surfaces			
• Forested			
• Meadows, grasslands or brushlands (non-agricultural, including abandoned agricultural)			
• Agricultural (includes active orchards, field, greenhouse etc.)			
• Surface water features (lakes, ponds, streams, rivers, etc.)			
• Wetlands (freshwater or tidal)			
• Non-vegetated (bare rock, earth or fill)			
• Other Describe: _____ _____			

c. Is the project site presently used by members of the community for public recreation? Yes No
i. If Yes: explain: _____

d. Are there any facilities serving children, the elderly, people with disabilities (e.g., schools, hospitals, licensed day care centers, or group homes) within 1500 feet of the project site? Yes No
If Yes,
i. Identify Facilities:

e. Does the project site contain an existing dam? Yes No
If Yes:
i. Dimensions of the dam and impoundment:

- Dam height: _____ feet
- Dam length: _____ feet
- Surface area: _____ acres
- Volume impounded: _____ gallons OR acre-feet

ii. Dam's existing hazard classification: _____
iii. Provide date and summarize results of last inspection:

f. Has the project site ever been used as a municipal, commercial or industrial solid waste management facility, or does the project site adjoin property which is now, or was at one time, used as a solid waste management facility? Yes No
If Yes:
i. Has the facility been formally closed? Yes No

- If yes, cite sources/documentation: _____

ii. Describe the location of the project site relative to the boundaries of the solid waste management facility:

g. Have hazardous wastes been generated, treated and/or disposed of at the site, or does the project site adjoin property which is now or was at one time used to commercially treat, store and/or dispose of hazardous waste? Yes No
If Yes:
i. Describe waste(s) handled and waste management activities, including approximate time when activities occurred:

h. Potential contamination history. Has there been a reported spill at the proposed project site, or have any remedial actions been conducted at or adjacent to the proposed site? Yes No
If Yes:
i. Is any portion of the site listed on the NYSDEC Spills Incidents database or Environmental Site Remediation database? Check all that apply: Yes No
 Yes – Spills Incidents database Provide DEC ID number(s): _____
 Yes – Environmental Site Remediation database Provide DEC ID number(s): _____
 Neither database
ii. If site has been subject of RCRA corrective activities, describe control measures: _____

iii. Is the project within 2000 feet of any site in the NYSDEC Environmental Site Remediation database? Yes No
If yes, provide DEC ID number(s): _____
iv. If yes to (i), (ii) or (iii) above, describe current status of site(s):

v. Is the project site subject to an institutional control limiting property uses? Yes No

- If yes, DEC site ID number: _____
- Describe the type of institutional control (e.g., deed restriction or easement): _____
- Describe any use limitations: _____
- Describe any engineering controls: _____
- Will the project affect the institutional or engineering controls in place? Yes No
- Explain: _____

E.2. Natural Resources On or Near Project Site

a. What is the average depth to bedrock on the project site? _____ feet

b. Are there bedrock outcroppings on the project site? Yes No
 If Yes, what proportion of the site is comprised of bedrock outcroppings? _____%

c. Predominant soil type(s) present on project site: _____ %
 _____ %
 _____ %

d. What is the average depth to the water table on the project site? Average: _____ feet

e. Drainage status of project site soils: Well Drained: _____ % of site
 Moderately Well Drained: _____ % of site
 Poorly Drained _____ % of site

f. Approximate proportion of proposed action site with slopes: 0-10%: _____ % of site
 10-15%: _____ % of site
 15% or greater: _____ % of site

g. Are there any unique geologic features on the project site? Yes No
 If Yes, describe: _____

h. Surface water features.

i. Does any portion of the project site contain wetlands or other waterbodies (including streams, rivers, ponds or lakes)? Yes No

ii. Do any wetlands or other waterbodies adjoin the project site? Yes No
 If Yes to either *i* or *ii*, continue. If No, skip to E.2.i.

iii. Are any of the wetlands or waterbodies within or adjoining the project site regulated by any federal, state or local agency? Yes No

iv. For each identified regulated wetland and waterbody on the project site, provide the following information:

- Streams: Name _____ Classification _____
- Lakes or Ponds: Name _____ Classification _____
- Wetlands: Name _____ Approximate Size _____
- Wetland No. (if regulated by DEC) _____

v. Are any of the above water bodies listed in the most recent compilation of NYS water quality-impaired waterbodies? Yes No
 If yes, name of impaired water body/bodies and basis for listing as impaired: _____

i. Is the project site in a designated Floodway? Yes No

j. Is the project site in the 100-year Floodplain? Yes No

k. Is the project site in the 500-year Floodplain? Yes No

l. Is the project site located over, or immediately adjoining, a primary, principal or sole source aquifer? Yes No
 If Yes:
 i. Name of aquifer: _____

m. Identify the predominant wildlife species that occupy or use the project site: _____ _____ _____	
n. Does the project site contain a designated significant natural community? <input type="checkbox"/> Yes <input type="checkbox"/> No If Yes: i. Describe the habitat/community (composition, function, and basis for designation): _____ _____ ii. Source(s) of description or evaluation: _____ iii. Extent of community/habitat: <ul style="list-style-type: none"> • Currently: _____ acres • Following completion of project as proposed: _____ acres • Gain or loss (indicate + or -): _____ acres 	
o. Does project site contain any species of plant or animal that is listed by the federal government or NYS as endangered or threatened, or does it contain any areas identified as habitat for an endangered or threatened species? <input type="checkbox"/> Yes <input type="checkbox"/> No If Yes: i. Species and listing (endangered or threatened): _____ _____ _____	
p. Does the project site contain any species of plant or animal that is listed by NYS as rare, or as a species of special concern? <input type="checkbox"/> Yes <input type="checkbox"/> No If Yes: i. Species and listing: _____ _____	
q. Is the project site or adjoining area currently used for hunting, trapping, fishing or shell fishing? <input type="checkbox"/> Yes <input type="checkbox"/> No If yes, give a brief description of how the proposed action may affect that use: _____ _____	
E.3. Designated Public Resources On or Near Project Site	
a. Is the project site, or any portion of it, located in a designated agricultural district certified pursuant to Agriculture and Markets Law, Article 25-AA, Section 303 and 304? <input type="checkbox"/> Yes <input type="checkbox"/> No If Yes, provide county plus district name/number: _____	
b. Are agricultural lands consisting of highly productive soils present? <input type="checkbox"/> Yes <input type="checkbox"/> No i. If Yes: acreage(s) on project site? _____ ii. Source(s) of soil rating(s): _____	
c. Does the project site contain all or part of, or is it substantially contiguous to, a registered National Natural Landmark? <input type="checkbox"/> Yes <input type="checkbox"/> No If Yes: i. Nature of the natural landmark: <input type="checkbox"/> Biological Community <input type="checkbox"/> Geological Feature ii. Provide brief description of landmark, including values behind designation and approximate size/extent: _____ _____ _____	
d. Is the project site located in or does it adjoin a state listed Critical Environmental Area? <input type="checkbox"/> Yes <input type="checkbox"/> No If Yes: i. CEA name: _____ ii. Basis for designation: _____ iii. Designating agency and date: _____	

<p>e. Does the project site contain, or is it substantially contiguous to, a building, archaeological site, or district which is listed on the National or State Register of Historic Places, or that has been determined by the Commissioner of the NYS Office of Parks, Recreation and Historic Preservation to be eligible for listing on the State Register of Historic Places? <input type="checkbox"/> Yes <input type="checkbox"/> No</p> <p>If Yes:</p> <p style="margin-left: 20px;">i. Nature of historic/archaeological resource: <input type="checkbox"/> Archaeological Site <input type="checkbox"/> Historic Building or District</p> <p style="margin-left: 20px;">ii. Name: _____</p> <p style="margin-left: 20px;">iii. Brief description of attributes on which listing is based: _____</p>
<p>f. Is the project site, or any portion of it, located in or adjacent to an area designated as sensitive for archaeological sites on the NY State Historic Preservation Office (SHPO) archaeological site inventory? <input type="checkbox"/> Yes <input type="checkbox"/> No</p>
<p>g. Have additional archaeological or historic site(s) or resources been identified on the project site? <input type="checkbox"/> Yes <input type="checkbox"/> No</p> <p>If Yes:</p> <p style="margin-left: 20px;">i. Describe possible resource(s): _____</p> <p style="margin-left: 20px;">ii. Basis for identification: _____</p>
<p>h. Is the project site within five miles of any officially designated and publicly accessible federal, state, or local scenic or aesthetic resource? <input type="checkbox"/> Yes <input type="checkbox"/> No</p> <p>If Yes:</p> <p style="margin-left: 20px;">i. Identify resource: _____</p> <p style="margin-left: 20px;">ii. Nature of, or basis for, designation (e.g., established highway overlook, state or local park, state historic trail or scenic byway, etc.): _____</p> <p style="margin-left: 20px;">iii. Distance between project and resource: _____ miles.</p>
<p>i. Is the project site located within a designated river corridor under the Wild, Scenic and Recreational Rivers Program 6 NYCRR 666? <input type="checkbox"/> Yes <input type="checkbox"/> No</p> <p>If Yes:</p> <p style="margin-left: 20px;">i. Identify the name of the river and its designation: _____</p> <p style="margin-left: 20px;">ii. Is the activity consistent with development restrictions contained in 6NYCRR Part 666? <input type="checkbox"/> Yes <input type="checkbox"/> No</p>

F. Additional Information

Attach any additional information which may be needed to clarify your project.

If you have identified any adverse impacts which could be associated with your proposal, please describe those impacts plus any measures which you propose to avoid or minimize them.

G. Verification

I certify that the information provided is true to the best of my knowledge.

Applicant/Sponsor Name _____ Date _____

Signature _____ Title _____

Full Environmental Assessment Form
Part 2 - Identification of Potential Project Impacts

Project :

Date :

Part 2 is to be completed by the lead agency. Part 2 is designed to help the lead agency inventory all potential resources that could be affected by a proposed project or action. We recognize that the lead agency's reviewer(s) will not necessarily be environmental professionals. So, the questions are designed to walk a reviewer through the assessment process by providing a series of questions that can be answered using the information found in Part 1. To further assist the lead agency in completing Part 2, the form identifies the most relevant questions in Part 1 that will provide the information needed to answer the Part 2 question. When Part 2 is completed, the lead agency will have identified the relevant environmental areas that may be impacted by the proposed activity.

If the lead agency is a state agency **and** the action is in any Coastal Area, complete the Coastal Assessment Form before proceeding with this assessment.

Tips for completing Part 2:

- Review all of the information provided in Part 1.
- Review any application, maps, supporting materials and the Full EAF Workbook.
- Answer each of the 18 questions in Part 2.
- If you answer “**Yes**” to a numbered question, please complete all the questions that follow in that section.
- If you answer “**No**” to a numbered question, move on to the next numbered question.
- Check appropriate column to indicate the anticipated size of the impact.
- Proposed projects that would exceed a numeric threshold contained in a question should result in the reviewing agency checking the box “Moderate to large impact may occur.”
- The reviewer is not expected to be an expert in environmental analysis.
- If you are not sure or undecided about the size of an impact, it may help to review the sub-questions for the general question and consult the workbook.
- When answering a question consider all components of the proposed activity, that is, the “whole action”.
- Consider the possibility for long-term and cumulative impacts as well as direct impacts.
- Answer the question in a reasonable manner considering the scale and context of the project.

1. Impact on Land			
Proposed action may involve construction on, or physical alteration of, the land surface of the proposed site. (See Part 1. D.1)		<input type="checkbox"/> NO	<input type="checkbox"/> YES
<i>If “Yes”, answer questions a - j. If “No”, move on to Section 2.</i>			
	Relevant Part I Question(s)	No, or small impact may occur	Moderate to large impact may occur
a. The proposed action may involve construction on land where depth to water table is less than 3 feet.	E2d	<input type="checkbox"/>	<input type="checkbox"/>
b. The proposed action may involve construction on slopes of 15% or greater.	E2f	<input type="checkbox"/>	<input type="checkbox"/>
c. The proposed action may involve construction on land where bedrock is exposed, or generally within 5 feet of existing ground surface.	E2a	<input type="checkbox"/>	<input type="checkbox"/>
d. The proposed action may involve the excavation and removal of more than 1,000 tons of natural material.	D2a	<input type="checkbox"/>	<input type="checkbox"/>
e. The proposed action may involve construction that continues for more than one year or in multiple phases.	D1e	<input type="checkbox"/>	<input type="checkbox"/>
f. The proposed action may result in increased erosion, whether from physical disturbance or vegetation removal (including from treatment by herbicides).	D2e, D2q	<input type="checkbox"/>	<input type="checkbox"/>
g. The proposed action is, or may be, located within a Coastal Erosion hazard area.	B1i	<input type="checkbox"/>	<input type="checkbox"/>
h. Other impacts: _____ _____		<input type="checkbox"/>	<input type="checkbox"/>

2. Impact on Geological Features The proposed action may result in the modification or destruction of, or inhibit access to, any unique or unusual land forms on the site (e.g., cliffs, dunes, minerals, fossils, caves). (See Part 1. E.2.g) <input type="checkbox"/> NO <input type="checkbox"/> YES <i>If "Yes", answer questions a - c. If "No", move on to Section 3.</i>			
	Relevant Part I Question(s)	No, or small impact may occur	Moderate to large impact may occur
a. Identify the specific land form(s) attached: _____ _____	E2g	<input type="checkbox"/>	<input type="checkbox"/>
b. The proposed action may affect or is adjacent to a geological feature listed as a registered National Natural Landmark. Specific feature: _____	E3c	<input type="checkbox"/>	<input type="checkbox"/>
c. Other impacts: _____ _____		<input type="checkbox"/>	<input type="checkbox"/>

3. Impacts on Surface Water The proposed action may affect one or more wetlands or other surface water bodies (e.g., streams, rivers, ponds or lakes). (See Part 1. D.2, E.2.h) <input type="checkbox"/> NO <input type="checkbox"/> YES <i>If "Yes", answer questions a - l. If "No", move on to Section 4.</i>			
	Relevant Part I Question(s)	No, or small impact may occur	Moderate to large impact may occur
a. The proposed action may create a new water body.	D2b, D1h	<input type="checkbox"/>	<input type="checkbox"/>
b. The proposed action may result in an increase or decrease of over 10% or more than a 10 acre increase or decrease in the surface area of any body of water.	D2b	<input type="checkbox"/>	<input type="checkbox"/>
c. The proposed action may involve dredging more than 100 cubic yards of material from a wetland or water body.	D2a	<input type="checkbox"/>	<input type="checkbox"/>
d. The proposed action may involve construction within or adjoining a freshwater or tidal wetland, or in the bed or banks of any other water body.	E2h	<input type="checkbox"/>	<input type="checkbox"/>
e. The proposed action may create turbidity in a waterbody, either from upland erosion, runoff or by disturbing bottom sediments.	D2a, D2h	<input type="checkbox"/>	<input type="checkbox"/>
f. The proposed action may include construction of one or more intake(s) for withdrawal of water from surface water.	D2c	<input type="checkbox"/>	<input type="checkbox"/>
g. The proposed action may include construction of one or more outfall(s) for discharge of wastewater to surface water(s).	D2d	<input type="checkbox"/>	<input type="checkbox"/>
h. The proposed action may cause soil erosion, or otherwise create a source of stormwater discharge that may lead to siltation or other degradation of receiving water bodies.	D2e	<input type="checkbox"/>	<input type="checkbox"/>
i. The proposed action may affect the water quality of any water bodies within or downstream of the site of the proposed action.	E2h	<input type="checkbox"/>	<input type="checkbox"/>
j. The proposed action may involve the application of pesticides or herbicides in or around any water body.	D2q, E2h	<input type="checkbox"/>	<input type="checkbox"/>
k. The proposed action may require the construction of new, or expansion of existing, wastewater treatment facilities.	D1a, D2d	<input type="checkbox"/>	<input type="checkbox"/>

I. Other impacts: _____ _____		<input type="checkbox"/>	<input type="checkbox"/>
----------------------------------	--	--------------------------	--------------------------

4. Impact on groundwater The proposed action may result in new or additional use of ground water, or may have the potential to introduce contaminants to ground water or an aquifer. <input type="checkbox"/> NO <input type="checkbox"/> YES (See Part 1. D.2.a, D.2.c, D.2.d, D.2.p, D.2.q, D.2.t) <i>If "Yes", answer questions a - h. If "No", move on to Section 5.</i>			
	Relevant Part I Question(s)	No, or small impact may occur	Moderate to large impact may occur
a. The proposed action may require new water supply wells, or create additional demand on supplies from existing water supply wells.	D2c	<input type="checkbox"/>	<input type="checkbox"/>
b. Water supply demand from the proposed action may exceed safe and sustainable withdrawal capacity rate of the local supply or aquifer. Cite Source: _____	D2c	<input type="checkbox"/>	<input type="checkbox"/>
c. The proposed action may allow or result in residential uses in areas without water and sewer services.	D1a, D2c	<input type="checkbox"/>	<input type="checkbox"/>
d. The proposed action may include or require wastewater discharged to groundwater.	D2d, E2l	<input type="checkbox"/>	<input type="checkbox"/>
e. The proposed action may result in the construction of water supply wells in locations where groundwater is, or is suspected to be, contaminated.	D2c, E1f, E1g, E1h	<input type="checkbox"/>	<input type="checkbox"/>
f. The proposed action may require the bulk storage of petroleum or chemical products over ground water or an aquifer.	D2p, E2l	<input type="checkbox"/>	<input type="checkbox"/>
g. The proposed action may involve the commercial application of pesticides within 100 feet of potable drinking water or irrigation sources.	E2h, D2q, E2l, D2c	<input type="checkbox"/>	<input type="checkbox"/>
h. Other impacts: _____ _____		<input type="checkbox"/>	<input type="checkbox"/>

5. Impact on Flooding The proposed action may result in development on lands subject to flooding. <input type="checkbox"/> NO <input type="checkbox"/> YES (See Part 1. E.2) <i>If "Yes", answer questions a - g. If "No", move on to Section 6.</i>			
	Relevant Part I Question(s)	No, or small impact may occur	Moderate to large impact may occur
a. The proposed action may result in development in a designated floodway.	E2i	<input type="checkbox"/>	<input type="checkbox"/>
b. The proposed action may result in development within a 100 year floodplain.	E2j	<input type="checkbox"/>	<input type="checkbox"/>
c. The proposed action may result in development within a 500 year floodplain.	E2k	<input type="checkbox"/>	<input type="checkbox"/>
d. The proposed action may result in, or require, modification of existing drainage patterns.	D2b, D2e	<input type="checkbox"/>	<input type="checkbox"/>
e. The proposed action may change flood water flows that contribute to flooding.	D2b, E2i, E2j, E2k	<input type="checkbox"/>	<input type="checkbox"/>
f. If there is a dam located on the site of the proposed action, is the dam in need of repair, or upgrade?	E1e	<input type="checkbox"/>	<input type="checkbox"/>

g. Other impacts: _____ _____		<input type="checkbox"/>	<input type="checkbox"/>
----------------------------------	--	--------------------------	--------------------------

6. Impacts on Air			
The proposed action may include a state regulated air emission source. (See Part 1. D.2.f., D.2.h, D.2.g) <i>If "Yes", answer questions a - f. If "No", move on to Section 7.</i>		<input type="checkbox"/> NO	<input type="checkbox"/> YES
	Relevant Part I Question(s)	No, or small impact may occur	Moderate to large impact may occur
a. If the proposed action requires federal or state air emission permits, the action may also emit one or more greenhouse gases at or above the following levels: i. More than 1000 tons/year of carbon dioxide (CO ₂) ii. More than 3.5 tons/year of nitrous oxide (N ₂ O) iii. More than 1000 tons/year of carbon equivalent of perfluorocarbons (PFCs) iv. More than .045 tons/year of sulfur hexafluoride (SF ₆) v. More than 1000 tons/year of carbon dioxide equivalent of hydrochloroflourocarbons (HFCs) emissions vi. 43 tons/year or more of methane	D2g D2g D2g D2g D2g D2h	<input type="checkbox"/> <input type="checkbox"/> <input type="checkbox"/> <input type="checkbox"/> <input type="checkbox"/> <input type="checkbox"/>	<input type="checkbox"/> <input type="checkbox"/> <input type="checkbox"/> <input type="checkbox"/> <input type="checkbox"/> <input type="checkbox"/>
b. The proposed action may generate 10 tons/year or more of any one designated hazardous air pollutant, or 25 tons/year or more of any combination of such hazardous air pollutants.	D2g	<input type="checkbox"/>	<input type="checkbox"/>
c. The proposed action may require a state air registration, or may produce an emissions rate of total contaminants that may exceed 5 lbs. per hour, or may include a heat source capable of producing more than 10 million BTU's per hour.	D2f, D2g	<input type="checkbox"/>	<input type="checkbox"/>
d. The proposed action may reach 50% of any of the thresholds in "a" through "c", above.	D2g	<input type="checkbox"/>	<input type="checkbox"/>
e. The proposed action may result in the combustion or thermal treatment of more than 1 ton of refuse per hour.	D2s	<input type="checkbox"/>	<input type="checkbox"/>
f. Other impacts: _____ _____		<input type="checkbox"/>	<input type="checkbox"/>

7. Impact on Plants and Animals			
The proposed action may result in a loss of flora or fauna. (See Part 1. E.2. m.-q.) <i>If "Yes", answer questions a - j. If "No", move on to Section 8.</i>		<input type="checkbox"/> NO	<input type="checkbox"/> YES
	Relevant Part I Question(s)	No, or small impact may occur	Moderate to large impact may occur
a. The proposed action may cause reduction in population or loss of individuals of any threatened or endangered species, as listed by New York State or the Federal government, that use the site, or are found on, over, or near the site.	E2o	<input type="checkbox"/>	<input type="checkbox"/>
b. The proposed action may result in a reduction or degradation of any habitat used by any rare, threatened or endangered species, as listed by New York State or the federal government.	E2o	<input type="checkbox"/>	<input type="checkbox"/>
c. The proposed action may cause reduction in population, or loss of individuals, of any species of special concern or conservation need, as listed by New York State or the Federal government, that use the site, or are found on, over, or near the site.	E2p	<input type="checkbox"/>	<input type="checkbox"/>
d. The proposed action may result in a reduction or degradation of any habitat used by any species of special concern and conservation need, as listed by New York State or the Federal government.	E2p	<input type="checkbox"/>	<input type="checkbox"/>

e. The proposed action may diminish the capacity of a registered National Natural Landmark to support the biological community it was established to protect.	E3c	<input type="checkbox"/>	<input type="checkbox"/>
f. The proposed action may result in the removal of, or ground disturbance in, any portion of a designated significant natural community. Source: _____	E2n	<input type="checkbox"/>	<input type="checkbox"/>
g. The proposed action may substantially interfere with nesting/breeding, foraging, or over-wintering habitat for the predominant species that occupy or use the project site.	E2m	<input type="checkbox"/>	<input type="checkbox"/>
h. The proposed action requires the conversion of more than 10 acres of forest, grassland or any other regionally or locally important habitat. Habitat type & information source: _____	E1b	<input type="checkbox"/>	<input type="checkbox"/>
i. Proposed action (commercial, industrial or recreational projects, only) involves use of herbicides or pesticides.	D2q	<input type="checkbox"/>	<input type="checkbox"/>
j. Other impacts: _____		<input type="checkbox"/>	<input type="checkbox"/>

8. Impact on Agricultural Resources			
The proposed action may impact agricultural resources. (See Part 1. E.3.a. and b.)		<input type="checkbox"/> NO	<input type="checkbox"/> YES
<i>If "Yes", answer questions a - h. If "No", move on to Section 9.</i>			
	Relevant Part I Question(s)	No, or small impact may occur	Moderate to large impact may occur
a. The proposed action may impact soil classified within soil group 1 through 4 of the NYS Land Classification System.	E2c, E3b	<input type="checkbox"/>	<input type="checkbox"/>
b. The proposed action may sever, cross or otherwise limit access to agricultural land (includes cropland, hayfields, pasture, vineyard, orchard, etc).	E1a, E1b	<input type="checkbox"/>	<input type="checkbox"/>
c. The proposed action may result in the excavation or compaction of the soil profile of active agricultural land.	E3b	<input type="checkbox"/>	<input type="checkbox"/>
d. The proposed action may irreversibly convert agricultural land to non-agricultural uses, either more than 2.5 acres if located in an Agricultural District, or more than 10 acres if not within an Agricultural District.	E1b, E3a	<input type="checkbox"/>	<input type="checkbox"/>
e. The proposed action may disrupt or prevent installation of an agricultural land management system.	E1 a, E1b	<input type="checkbox"/>	<input type="checkbox"/>
f. The proposed action may result, directly or indirectly, in increased development potential or pressure on farmland.	C2c, C3, D2c, D2d	<input type="checkbox"/>	<input type="checkbox"/>
g. The proposed project is not consistent with the adopted municipal Farmland Protection Plan.	C2c	<input type="checkbox"/>	<input type="checkbox"/>
h. Other impacts: _____		<input type="checkbox"/>	<input type="checkbox"/>

9. Impact on Aesthetic Resources The land use of the proposed action are obviously different from, or are in sharp contrast to, current land use patterns between the proposed project and a scenic or aesthetic resource. (Part 1. E.1.a, E.1.b, E.3.h.) <i>If "Yes", answer questions a - g. If "No", go to Section 10.</i>				<input type="checkbox"/> NO	<input type="checkbox"/> YES
	Relevant Part I Question(s)	No, or small impact may occur	Moderate to large impact may occur		
a. Proposed action may be visible from any officially designated federal, state, or local scenic or aesthetic resource.	E3h	<input type="checkbox"/>	<input type="checkbox"/>		
b. The proposed action may result in the obstruction, elimination or significant screening of one or more officially designated scenic views.	E3h, C2b	<input type="checkbox"/>	<input type="checkbox"/>		
c. The proposed action may be visible from publicly accessible vantage points: i. Seasonally (e.g., screened by summer foliage, but visible during other seasons) ii. Year round	E3h	<input type="checkbox"/> <input type="checkbox"/>	<input type="checkbox"/> <input type="checkbox"/>		
d. The situation or activity in which viewers are engaged while viewing the proposed action is: i. Routine travel by residents, including travel to and from work ii. Recreational or tourism based activities	E3h E2q, E1c	<input type="checkbox"/> <input type="checkbox"/>	<input type="checkbox"/> <input type="checkbox"/>		
e. The proposed action may cause a diminishment of the public enjoyment and appreciation of the designated aesthetic resource.	E3h	<input type="checkbox"/>	<input type="checkbox"/>		
f. There are similar projects visible within the following distance of the proposed project: 0-1/2 mile 1/2 -3 mile 3-5 mile 5+ mile	D1a, E1a, D1f, D1g	<input type="checkbox"/>	<input type="checkbox"/>		
g. Other impacts: _____ _____		<input type="checkbox"/>	<input type="checkbox"/>		

10. Impact on Historic and Archeological Resources The proposed action may occur in or adjacent to a historic or archaeological resource. (Part 1. E.3.e, f. and g.) <i>If "Yes", answer questions a - e. If "No", go to Section 11.</i>				<input type="checkbox"/> NO	<input type="checkbox"/> YES
	Relevant Part I Question(s)	No, or small impact may occur	Moderate to large impact may occur		
a. The proposed action may occur wholly or partially within, or substantially contiguous to, any buildings, archaeological site or district which is listed on the National or State Register of Historical Places, or that has been determined by the Commissioner of the NYS Office of Parks, Recreation and Historic Preservation to be eligible for listing on the State Register of Historic Places.	E3e	<input type="checkbox"/>	<input type="checkbox"/>		
b. The proposed action may occur wholly or partially within, or substantially contiguous to, an area designated as sensitive for archaeological sites on the NY State Historic Preservation Office (SHPO) archaeological site inventory.	E3f	<input type="checkbox"/>	<input type="checkbox"/>		
c. The proposed action may occur wholly or partially within, or substantially contiguous to, an archaeological site not included on the NY SHPO inventory. Source: _____	E3g	<input type="checkbox"/>	<input type="checkbox"/>		

d. Other impacts: _____ _____		<input type="checkbox"/>	<input type="checkbox"/>
e. If any of the above (a-d) are answered “Moderate to large impact may occur”, continue with the following questions to help support conclusions in Part 3:			
i. The proposed action may result in the destruction or alteration of all or part of the site or property.	E3e, E3g, E3f	<input type="checkbox"/>	<input type="checkbox"/>
ii. The proposed action may result in the alteration of the property’s setting or integrity.	E3e, E3f, E3g, E1a, E1b	<input type="checkbox"/>	<input type="checkbox"/>
iii. The proposed action may result in the introduction of visual elements which are out of character with the site or property, or may alter its setting.	E3e, E3f, E3g, E3h, C2, C3	<input type="checkbox"/>	<input type="checkbox"/>

11. Impact on Open Space and Recreation			
The proposed action may result in a loss of recreational opportunities or a reduction of an open space resource as designated in any adopted municipal open space plan. (See Part 1. C.2.c, E.1.c., E.2.q.) <i>If “Yes”, answer questions a - e. If “No”, go to Section 12.</i>		<input type="checkbox"/> NO	<input type="checkbox"/> YES
	Relevant Part I Question(s)	No, or small impact may occur	Moderate to large impact may occur
a. The proposed action may result in an impairment of natural functions, or “ecosystem services”, provided by an undeveloped area, including but not limited to stormwater storage, nutrient cycling, wildlife habitat.	D2e, E1b E2h, E2m, E2o, E2n, E2p	<input type="checkbox"/>	<input type="checkbox"/>
b. The proposed action may result in the loss of a current or future recreational resource.	C2a, E1c, C2c, E2q	<input type="checkbox"/>	<input type="checkbox"/>
c. The proposed action may eliminate open space or recreational resource in an area with few such resources.	C2a, C2c E1c, E2q	<input type="checkbox"/>	<input type="checkbox"/>
d. The proposed action may result in loss of an area now used informally by the community as an open space resource.	C2c, E1c	<input type="checkbox"/>	<input type="checkbox"/>
e. Other impacts: _____ _____		<input type="checkbox"/>	<input type="checkbox"/>

12. Impact on Critical Environmental Areas			
The proposed action may be located within or adjacent to a critical environmental area (CEA). (See Part 1. E.3.d) <i>If “Yes”, answer questions a - c. If “No”, go to Section 13.</i>		<input type="checkbox"/> NO	<input type="checkbox"/> YES
	Relevant Part I Question(s)	No, or small impact may occur	Moderate to large impact may occur
a. The proposed action may result in a reduction in the quantity of the resource or characteristic which was the basis for designation of the CEA.	E3d	<input type="checkbox"/>	<input type="checkbox"/>
b. The proposed action may result in a reduction in the quality of the resource or characteristic which was the basis for designation of the CEA.	E3d	<input type="checkbox"/>	<input type="checkbox"/>
c. Other impacts: _____ _____		<input type="checkbox"/>	<input type="checkbox"/>

13. Impact on Transportation The proposed action may result in a change to existing transportation systems. <input type="checkbox"/> NO <input type="checkbox"/> YES (See Part 1. D.2.j) <i>If "Yes", answer questions a - f. If "No", go to Section 14.</i>			
	Relevant Part I Question(s)	No, or small impact may occur	Moderate to large impact may occur
a. Projected traffic increase may exceed capacity of existing road network.	D2j	<input type="checkbox"/>	<input type="checkbox"/>
b. The proposed action may result in the construction of paved parking area for 500 or more vehicles.	D2j	<input type="checkbox"/>	<input type="checkbox"/>
c. The proposed action will degrade existing transit access.	D2j	<input type="checkbox"/>	<input type="checkbox"/>
d. The proposed action will degrade existing pedestrian or bicycle accommodations.	D2j	<input type="checkbox"/>	<input type="checkbox"/>
e. The proposed action may alter the present pattern of movement of people or goods.	D2j	<input type="checkbox"/>	<input type="checkbox"/>
f. Other impacts: _____ _____		<input type="checkbox"/>	<input type="checkbox"/>

14. Impact on Energy The proposed action may cause an increase in the use of any form of energy. <input type="checkbox"/> NO <input type="checkbox"/> YES (See Part 1. D.2.k) <i>If "Yes", answer questions a - e. If "No", go to Section 15.</i>			
	Relevant Part I Question(s)	No, or small impact may occur	Moderate to large impact may occur
a. The proposed action will require a new, or an upgrade to an existing, substation.	D2k	<input type="checkbox"/>	<input type="checkbox"/>
b. The proposed action will require the creation or extension of an energy transmission or supply system to serve more than 50 single or two-family residences or to serve a commercial or industrial use.	D1f, D1q, D2k	<input type="checkbox"/>	<input type="checkbox"/>
c. The proposed action may utilize more than 2,500 MWhrs per year of electricity.	D2k	<input type="checkbox"/>	<input type="checkbox"/>
d. The proposed action may involve heating and/or cooling of more than 100,000 square feet of building area when completed.	D1g	<input type="checkbox"/>	<input type="checkbox"/>
e. Other Impacts: _____ _____			

15. Impact on Noise, Odor, and Light The proposed action may result in an increase in noise, odors, or outdoor lighting. <input type="checkbox"/> NO <input type="checkbox"/> YES (See Part 1. D.2.m., n., and o.) <i>If "Yes", answer questions a - f. If "No", go to Section 16.</i>			
	Relevant Part I Question(s)	No, or small impact may occur	Moderate to large impact may occur
a. The proposed action may produce sound above noise levels established by local regulation.	D2m	<input type="checkbox"/>	<input type="checkbox"/>
b. The proposed action may result in blasting within 1,500 feet of any residence, hospital, school, licensed day care center, or nursing home.	D2m, E1d	<input type="checkbox"/>	<input type="checkbox"/>
c. The proposed action may result in routine odors for more than one hour per day.	D2o	<input type="checkbox"/>	<input type="checkbox"/>

d. The proposed action may result in light shining onto adjoining properties.	D2n	<input type="checkbox"/>	<input type="checkbox"/>
e. The proposed action may result in lighting creating sky-glow brighter than existing area conditions.	D2n, E1a	<input type="checkbox"/>	<input type="checkbox"/>
f. Other impacts: _____ _____		<input type="checkbox"/>	<input type="checkbox"/>

16. Impact on Human Health			
The proposed action may have an impact on human health from exposure to new or existing sources of contaminants. (See Part 1.D.2.q., E.1. d. f. g. and h.) <i>If "Yes", answer questions a - m. If "No", go to Section 17.</i>		<input type="checkbox"/> NO	<input type="checkbox"/> YES
	Relevant Part I Question(s)	No, or small impact may occur	Moderate to large impact may occur
a. The proposed action is located within 1500 feet of a school, hospital, licensed day care center, group home, nursing home or retirement community.	E1d	<input type="checkbox"/>	<input type="checkbox"/>
b. The site of the proposed action is currently undergoing remediation.	E1g, E1h	<input type="checkbox"/>	<input type="checkbox"/>
c. There is a completed emergency spill remediation, or a completed environmental site remediation on, or adjacent to, the site of the proposed action.	E1g, E1h	<input type="checkbox"/>	<input type="checkbox"/>
d. The site of the action is subject to an institutional control limiting the use of the property (e.g., easement or deed restriction).	E1g, E1h	<input type="checkbox"/>	<input type="checkbox"/>
e. The proposed action may affect institutional control measures that were put in place to ensure that the site remains protective of the environment and human health.	E1g, E1h	<input type="checkbox"/>	<input type="checkbox"/>
f. The proposed action has adequate control measures in place to ensure that future generation, treatment and/or disposal of hazardous wastes will be protective of the environment and human health.	D2t	<input type="checkbox"/>	<input type="checkbox"/>
g. The proposed action involves construction or modification of a solid waste management facility.	D2q, E1f	<input type="checkbox"/>	<input type="checkbox"/>
h. The proposed action may result in the unearthing of solid or hazardous waste.	D2q, E1f	<input type="checkbox"/>	<input type="checkbox"/>
i. The proposed action may result in an increase in the rate of disposal, or processing, of solid waste.	D2r, D2s	<input type="checkbox"/>	<input type="checkbox"/>
j. The proposed action may result in excavation or other disturbance within 2000 feet of a site used for the disposal of solid or hazardous waste.	E1f, E1g E1h	<input type="checkbox"/>	<input type="checkbox"/>
k. The proposed action may result in the migration of explosive gases from a landfill site to adjacent off site structures.	E1f, E1g	<input type="checkbox"/>	<input type="checkbox"/>
l. The proposed action may result in the release of contaminated leachate from the project site.	D2s, E1f, D2r	<input type="checkbox"/>	<input type="checkbox"/>
m. Other impacts: _____ _____			

17. Consistency with Community Plans			
The proposed action is not consistent with adopted land use plans. (See Part 1. C.1, C.2. and C.3.) <i>If “Yes”, answer questions a - h. If “No”, go to Section 18.</i>		<input type="checkbox"/> NO	<input type="checkbox"/> YES
	Relevant Part I Question(s)	No, or small impact may occur	Moderate to large impact may occur
a. The proposed action’s land use components may be different from, or in sharp contrast to, current surrounding land use pattern(s).	C2, C3, D1a E1a, E1b	<input type="checkbox"/>	<input type="checkbox"/>
b. The proposed action will cause the permanent population of the city, town or village in which the project is located to grow by more than 5%.	C2	<input type="checkbox"/>	<input type="checkbox"/>
c. The proposed action is inconsistent with local land use plans or zoning regulations.	C2, C2, C3	<input type="checkbox"/>	<input type="checkbox"/>
d. The proposed action is inconsistent with any County plans, or other regional land use plans.	C2, C2	<input type="checkbox"/>	<input type="checkbox"/>
e. The proposed action may cause a change in the density of development that is not supported by existing infrastructure or is distant from existing infrastructure.	C3, D1c, D1d, D1f, D1d, E1b	<input type="checkbox"/>	<input type="checkbox"/>
f. The proposed action is located in an area characterized by low density development that will require new or expanded public infrastructure.	C4, D2c, D2d D2j	<input type="checkbox"/>	<input type="checkbox"/>
g. The proposed action may induce secondary development impacts (e.g., residential or commercial development not included in the proposed action)	C2a	<input type="checkbox"/>	<input type="checkbox"/>
h. Other: _____ _____		<input type="checkbox"/>	<input type="checkbox"/>

18. Consistency with Community Character			
The proposed project is inconsistent with the existing community character. (See Part 1. C.2, C.3, D.2, E.3) <i>If “Yes”, answer questions a - g. If “No”, proceed to Part 3.</i>		<input type="checkbox"/> NO	<input type="checkbox"/> YES
	Relevant Part I Question(s)	No, or small impact may occur	Moderate to large impact may occur
a. The proposed action may replace or eliminate existing facilities, structures, or areas of historic importance to the community.	E3e, E3f, E3g	<input type="checkbox"/>	<input type="checkbox"/>
b. The proposed action may create a demand for additional community services (e.g. schools, police and fire)	C4	<input type="checkbox"/>	<input type="checkbox"/>
c. The proposed action may displace affordable or low-income housing in an area where there is a shortage of such housing.	C2, C3, D1f D1g, E1a	<input type="checkbox"/>	<input type="checkbox"/>
d. The proposed action may interfere with the use or enjoyment of officially recognized or designated public resources.	C2, E3	<input type="checkbox"/>	<input type="checkbox"/>
e. The proposed action is inconsistent with the predominant architectural scale and character.	C2, C3	<input type="checkbox"/>	<input type="checkbox"/>
f. Proposed action is inconsistent with the character of the existing natural landscape.	C2, C3 E1a, E1b E2g, E2h	<input type="checkbox"/>	<input type="checkbox"/>
g. Other impacts: _____ _____		<input type="checkbox"/>	<input type="checkbox"/>

Project :

Date :

Full Environmental Assessment Form
Part 3 - Evaluation of the Magnitude and Importance of Project Impacts
and
Determination of Significance

Part 3 provides the reasons in support of the determination of significance. The lead agency must complete Part 3 for every question in Part 2 where the impact has been identified as potentially moderate to large or where there is a need to explain why a particular element of the proposed action will not, or may, result in a significant adverse environmental impact.

Based on the analysis in Part 3, the lead agency must decide whether to require an environmental impact statement to further assess the proposed action or whether available information is sufficient for the lead agency to conclude that the proposed action will not have a significant adverse environmental impact. By completing the certification on the next page, the lead agency can complete its determination of significance.

Reasons Supporting This Determination:

To complete this section:

- Identify the impact based on the Part 2 responses and describe its magnitude. Magnitude considers factors such as severity, size or extent of an impact.
- Assess the importance of the impact. Importance relates to the geographic scope, duration, probability of the impact occurring, number of people affected by the impact and any additional environmental consequences if the impact were to occur.
- The assessment should take into consideration any design element or project changes.
- Repeat this process for each Part 2 question where the impact has been identified as potentially moderate to large or where there is a need to explain why a particular element of the proposed action will not, or may, result in a significant adverse environmental impact.
- Provide the reason(s) why the impact may, or will not, result in a significant adverse environmental impact
- For Conditional Negative Declarations identify the specific condition(s) imposed that will modify the proposed action so that no significant adverse environmental impacts will result.
- Attach additional sheets, as needed.

Determination of Significance - Type 1 and Unlisted Actions

SEQR Status: Type 1 Unlisted

Identify portions of EAF completed for this Project: Part 1 Part 2 Part 3

Upon review of the information recorded on this EAF, as noted, plus this additional support information

and considering both the magnitude and importance of each identified potential impact, it is the conclusion of the _____ as lead agency that:

A. This project will result in no significant adverse impacts on the environment, and, therefore, an environmental impact statement need not be prepared. Accordingly, this negative declaration is issued.

B. Although this project could have a significant adverse impact on the environment, that impact will be avoided or substantially mitigated because of the following conditions which will be required by the lead agency:

There will, therefore, be no significant adverse impacts from the project as conditioned, and, therefore, this conditioned negative declaration is issued. A conditioned negative declaration may be used only for UNLISTED actions (see 6 NYCRR 617.7(d)).

C. This Project may result in one or more significant adverse impacts on the environment, and an environmental impact statement must be prepared to further assess the impact(s) and possible mitigation and to explore alternatives to avoid or reduce those impacts. Accordingly, this positive declaration is issued.

Name of Action:

Name of Lead Agency:

Name of Responsible Officer in Lead Agency:

Title of Responsible Officer:

Signature of Responsible Officer in Lead Agency:

Date:

Signature of Preparer (if different from Responsible Officer)

Date:

For Further Information:

Contact Person:

Address:

Telephone Number:

E-mail:

For Type 1 Actions and Conditioned Negative Declarations, a copy of this Notice is sent to:

Chief Executive Officer of the political subdivision in which the action will be principally located (e.g., Town / City / Village of)

Other involved agencies (if any)

Applicant (if any)

Environmental Notice Bulletin: <http://www.dec.ny.gov/enb/enb.html>