

New York State Department of Environmental Conservation
Division of Lands and Forests

State Land/Easement Project Work Plan
for
Construction of New Facilities and Expansion or
Modification of Existing Facilities

CO
WP #248

Fiscal Year 2022-2023

Project # 2022-NV-001

<u>Region/Facility</u>	<u>Project Title</u>		
5	Northville Placid Trail Bridging		
<u>Project Location</u>	<u>Town(s)</u>	<u>County</u>	<u>Management Unit</u>
	Arietta	Hamilton	Silver Lake Wilderness

Description & Justification:

This work plan seeks approval to address a flooded section of the Northville Placid Trail 0.6 miles south of the Route 8 trailhead. The project location is the site of a long-standing beaver pond that has been a difficult crossing 10+ years. Users typically cross through the wetland on top of the dam or attempt to root hop just below the dam. Downed logs and branches have been placed in standing water by users attempting to piece together a makeshift crossing. Neither option provides stable footing and both are slippery in wet conditions.

The goal of this project is to provide a stable trail crossing through the installation of bog bridging. Up to 96' of natural log bog bridging will be installed. Red spruce trees in the area will be felled and peeled for building material. The top of the stringers will be hewed to provide stable footing. Seven trees have been identified in the field and are further described on the attached tree tally.

Crossing the drainage at different locations was considered; however, more recent beaver activity downstream has further flooded the area worsening conditions. Re-routing around the beaver wetland was explored to the east of the current trail corridor. This alternative was not pursued due to the excessive length (0.5 miles minimum) required to skirt the relatively short wetland crossing and unfavorable low lying terrain for trail construction. The current crossing is the most direct way through and installation of bridging is seen as an effective solution to maintain the trail connection.

This action is necessary to provide safe passage for hikers and backpackers while preserving and protecting the wetland ecosystem. The main dam will not be disturbed and the natural conditions of the drainage will be allowed to continue unimpeded. The age and size of the beaver activity at this location has created a wetland. An APA wetlands permit has been obtained. Care will be given to ensure the least amount of impact necessary to complete the project.

Materials and Dimensions:

12-16" DBH spruce trees will be felled, peeled and bucked into 16'-20' sections for stringers and spiked into 4' sills.

Trees to be Removed:

Seven red spruce trees have been identified in the field in the vicinity of the project site. These trees are further described on the attached tree tally.

Mitigation of Environmental Impacts:

Trees felled for building material will be peeled out of the wetland area.

Impacts to Wetlands:

The placement of bog bridging in a wetland is considered wetland fill. APA staff has been consulted and a APA GP2005G-1R permit detailing the wetland impacts has been approved.

Impacts to Rare, Threatened or Endangered Species:

A search of available databases yielded no known occurrences of rare, threatened, or endangered species near or in the project area.

Description of Use of Motorized Equipment or Motor Vehicle, if any:

No motorized equipment will be used, only hand tools

Other Relevant Considerations

The ADK Mtn Club ProCrew will complete the work using funds provided by a private donor. Crews will camp at a nearby designated tentsite by Buckhorn Lake. The project is scheduled for the 2022 field season.

Prepared by (name/title):

Name: Jonathan DeSantis
Title: Forester 1
Phone: (518) 863-4545

Date:

5/5/2022

Approval:

Comments:



Digitally signed by Robert Daley
Date: 2022.06.01 13:09:03
-04'00'

Regional Forester

Date: 6/1/2022



Digitally signed by Kristofer A. Alberga
DN: cn=Kristofer A. Alberga, o=State of New York,
ou=Department of Environmental Conservation,
email=Kristofer.Alberga@dec.ny.gov, c=US
Date: 2022.06.03 13:34:21 -04'00'

Regional Supervisor of Natural Resources

Date:



6/13/2022

Regional Director

Date:

Division Director

Date:

State Land Tree Tally

Project: NPT Bog Bridging

State Land Unit: Silver Lake Wilderness

County: Hamilton

Town: Arietta

Date Talled: 9/9/21

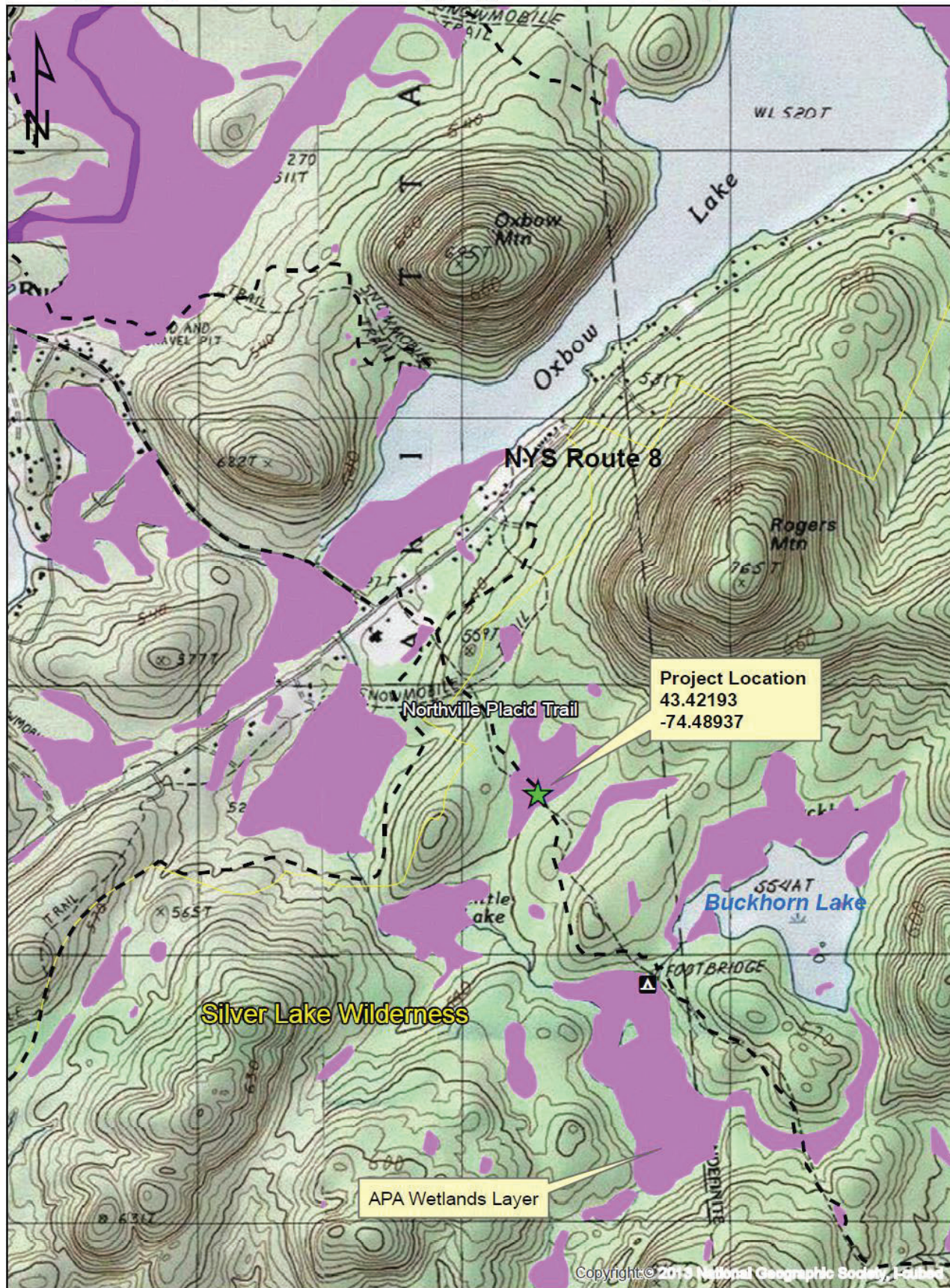
Talled By: Jon DeSantis

Species	Diameter														Total
	4	6	8	10	12	14	16	18	20	22	24	26	28	30	
ash, black															0
ash, white															0
aspen															0
beech, Amer.															0
birch, paper															0
birch, yellow															0
cherry, black															0
fir, balsam															0
hemlock															0
maple, red															0
maple, sugar															0
oak, red															0
pine, red															0
pine, Scotch															0
pine, white															0
spruce, black															0
spruce, Norway															0
spruce, red					1	4	2								6
spruce, white															0
															0
															0
															0
															0
Total	0	0	0	0	1	3	2	0	0	0	0	0	0	0	7

Photo 1: Makeshift bog bridging created by users downstream of beaver dam. These logs are unstable and are submerged in water in Spring or after high rainfall events. More stable bridging is required and will be built to avoid impacts from beaver activity and seasonal increases in water levels.



Northville Placid Trail Bridging Location Map

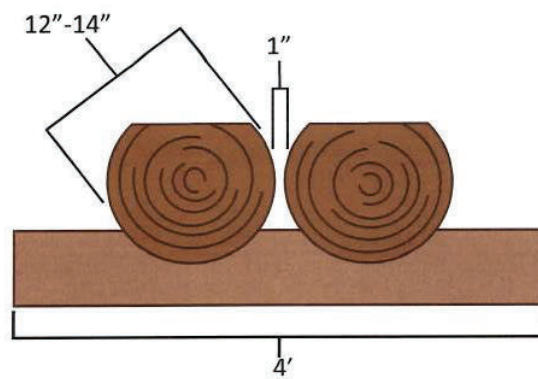
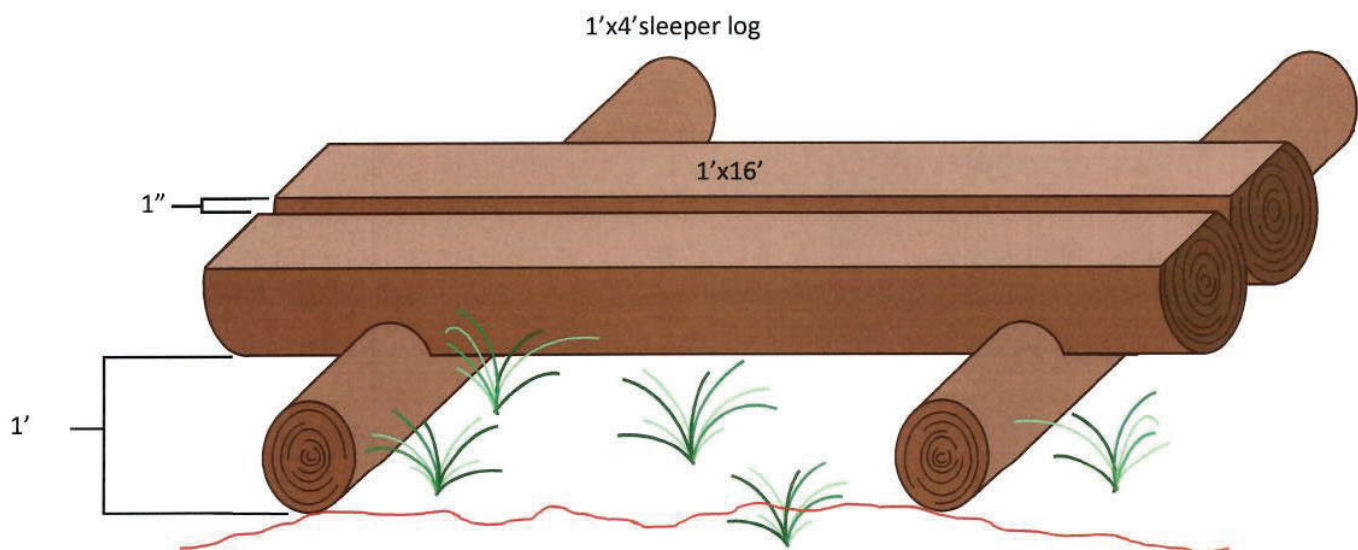


0 0.125 0.25 0.5 0.75 1 Miles

JVD 2/2022

Bog Bridging w/Native Timber Schematics

Dimensions can vary depending on the trees selected for use and onsite determination to best address the issue(s)



REGULATORY CLEARANCE CHECKLIST – STATE LANDS and CONSERVATION EASEMENT PROJECTS					
PROGRAM	PERMIT	REQUIRED		SECURED BY	COMMENTS
		YES	NO	(NAME)	
Air Resources	Restricted Burning	<input type="checkbox"/>	<input checked="" type="checkbox"/>		
Mineral Resources	Mining	<input type="checkbox"/>	<input checked="" type="checkbox"/>		
Materials Management	Solid Waste Mgt. Fac.	<input type="checkbox"/>	<input checked="" type="checkbox"/>		
Water	Dam Safety Review	<input type="checkbox"/>	<input checked="" type="checkbox"/>		
	Const. in Flood Hazard	<input type="checkbox"/>	<input checked="" type="checkbox"/>		
	Public Water Supply	<input type="checkbox"/>	<input checked="" type="checkbox"/>		
	SPDES	<input type="checkbox"/>	<input checked="" type="checkbox"/>		
Spills Management	Petro. Bulk Storage	<input type="checkbox"/>	<input checked="" type="checkbox"/>		
Lands and Forests	Unit Management Plan	<input checked="" type="checkbox"/>	<input type="checkbox"/>	NYSDEC	SLW UMP 2006
	Tree Cutting	<input checked="" type="checkbox"/>	<input type="checkbox"/>	Jonathan DeSantis	Pending work plan approval
	Protected Native Plants	<input type="checkbox"/>	<input checked="" type="checkbox"/>		
	Historic Preservation	<input type="checkbox"/>	<input checked="" type="checkbox"/>		
Fish and Wildlife	Freshwater Wetlands	<input type="checkbox"/>	<input checked="" type="checkbox"/>		
	Wild Scenic & Rec. River	<input type="checkbox"/>	<input checked="" type="checkbox"/>		
Compliance Services	Other Protection of Waters	<input type="checkbox"/>	<input checked="" type="checkbox"/>		
	EAF	<input type="checkbox"/>	<input checked="" type="checkbox"/>		
	Negative Declaration	<input type="checkbox"/>	<input checked="" type="checkbox"/>		
	Env. Impact Statement	<input type="checkbox"/>	<input checked="" type="checkbox"/>		
	Water Quality Cert.	<input type="checkbox"/>	<input checked="" type="checkbox"/>		
DEC (other)	CP-17	<input type="checkbox"/>	<input checked="" type="checkbox"/>		
	Commissioner (aircraft, motorized equipment)	<input type="checkbox"/>	<input checked="" type="checkbox"/>		
	Flight Request	<input type="checkbox"/>	<input checked="" type="checkbox"/>		
	Contract Clearance Sh.	<input type="checkbox"/>	<input checked="" type="checkbox"/>		
	DOB Exemption	<input type="checkbox"/>	<input checked="" type="checkbox"/>		
Other Agencies	APA MOU	<input checked="" type="checkbox"/>	<input type="checkbox"/>		Ordinary maintenance of existing facility
	APA Wetlands Permit	<input checked="" type="checkbox"/>	<input type="checkbox"/>	Jonathan DeSantis	APPROVED
	Corps. of Engineers	<input type="checkbox"/>	<input checked="" type="checkbox"/>		
	Building Permits	<input type="checkbox"/>	<input checked="" type="checkbox"/>		
	Local Permits	<input type="checkbox"/>	<input checked="" type="checkbox"/>		
	Easements	<input type="checkbox"/>	<input checked="" type="checkbox"/>		
	Highway Enter DOT	<input type="checkbox"/>	<input checked="" type="checkbox"/>		
	Wastewater Disposal	<input type="checkbox"/>	<input checked="" type="checkbox"/>		