



Department of
Environmental
Conservation

Division of Operations

Bureau of Recreation

**AMENDMENT TO CAMPGROUNDS & DAY-USE
AREAS GENERIC UNIT MANAGEMENT PLAN
FOR WATERCRAFT DECONTAMINATION
FACILITIES**

FINAL

July 2022

New York State Department of Environmental Conservation

Division of Operations, 3rd Floor

625 Broadway, Albany, NY12233

Governor KATHY HOCHUL

Commissioner BASIL SEGGOS

OFFICE OF THE COMMISSIONER

New York State Department of Environmental Conservation

625 Broadway, 14th Floor, Albany, New York 12233-1010

P: (518) 402-8545 | F: (518) 402-8541

www.dec.ny.gov

MEMORANDUM

TO: The Record

FROM: Basil Seggos

SUBJECT: Watercraft Decontamination Facilities Amendment

The Amendment to Campgrounds & Day-Use Areas Generic Unit Management Plan for Watercraft Decontamination Facilities has been completed.

The Amendment is consistent with Environmental Conservation Law, and Department Rules, Regulations and Policies and is hereby approved and adopted.



Basil Seggos
Commissioner
New York State Department of Environmental Conservation

Date: July 19 2022



**Department of
Environmental
Conservation**



**Adirondack
Park Agency**

KATHY HOCHUL
Governor

BARBARA RICE
Executive Director

June 22, 2022

Honorable Basil Seggos
Commissioner
NYS DEC
625 Broadway
Albany, New York 12233

Re: 2022 Amendment to the Generic UMP for Campgrounds and Day Use Areas – Watercraft Decontamination Facilities

Dear Commissioner Seggos:

I am writing on behalf of the Adirondack Park Agency Board to advise you that at the June 9, 2022 Agency meeting, the Board approved the Resolution finding the 2022 Amendment to the Generic UMP for Campgrounds and Day Use Areas – Watercraft Decontamination Facilities to be in conformance with the general guidelines and criteria of the Adirondack Park State Land Master Plan.

We appreciate the Department's ongoing commitment to preventing the spread of aquatic invasive species in Adirondack waters. It has been a pleasure to work with your staff on this amendment.

Sincerely,

Barbara Rice

Barbara Rice
Executive Director

Enclosures

cc John O'Leary, Deputy Secretary for Energy and the Environment
Ashley Dougherty, Assistant Secretary for Environment
Caitlin Stephen, Senior Policy Advisory for Environment
Katie Petronis, Deputy Commissioner for Natural Resources, DEC
Jeff Stefanko, Deputy Commissioner for Administration
Jeff Rider, Acting Division Director, Division of Lands and Forests, DEC
Josh Houghton, Senior Natural Resource Planner, Division of Operations, DEC
Josh Clague, Adirondack Forest Preserve Coordinator, DEC
Megan Phillips, Deputy Director, Planning, APA
Agency Members and Designees



**Adirondack
Park Agency**

KATHY HOCHUL
Governor

BARBARA RICE
Executive Director

**RESOLUTION ADOPTED BY THE ADIRONDACK PARK AGENCY
WITH RESPECT TO THE 2022 AMENDMENT TO THE GENERIC UNIT
MANAGEMENT PLAN FOR CAMPGROUNDS AND DAY-USE AREAS
(WATERCRAFT DECONTAMINATION FACILITIES)**

June 9, 2022

WHEREAS, Section 816 of the Adirondack Park Agency Act (APA Act) directs the Department of Environmental Conservation (DEC) to develop, in consultation with the Adirondack Park Agency (Agency), individual management plans for units of land classified in the Adirondack Park State Land Master Plan (APSLMP) and requires such management plans to conform to the guidelines and criteria of the APSLMP; and

WHEREAS, in addition to such guidelines and criteria, the APSLMP prescribes the contents of unit management plans and provides that the Agency will determine whether a proposed individual unit management plan (UMP) complies with such guidelines and criteria; and

WHEREAS, in August 1990, DEC adopted the Final Generic UMP and GEIS for campgrounds and day-use areas (1990 Generic UMP/GEIS) which provides information on the environmental setting, inventory of facilities, organizational structure, issues, constraints, management objectives, and effects for campgrounds and day-use areas in both the Adirondack and Catskill Parks; and

WHEREAS, in 2010, the DEC amended the 1990 Generic UMP/GEIS to authorize firewood storage buildings in campgrounds and day-use areas; and

WHEREAS, in 2018, the DEC amended the 1990 Generic UMP/GEIS to authorize electric vehicle charging stations at campgrounds and day-use areas; and

WHEREAS, there are more than 100 boat launches owned by the State of New York within the Adirondack Park; and

WHEREAS, there are 110 Adirondack waters known to have aquatic invasive species present; and

WHEREAS, research shows that recreational watercraft are the most significant vector for spread of aquatic invasive species; and

WHEREAS, watercraft decontamination units equipped with high pressure and hot water are an effective management tool to remove aquatic invasive species from recreational watercraft; and

WHEREAS, on March 10, 2022, DEC presented the Draft 2022 UMP amendment to the Agency and the Agency established a joint public comment period on the Draft 2022 UMP Amendment from March 11, 2022 through April 11, 2022; and

WHEREAS, the Agency received four written comments during its public comment period; and

WHEREAS, DEC has prepared a proposed final amendment to the 1990 Generic UMP, providing for watercraft decontamination facilities at campgrounds and day-use areas, dated June 2022 (Proposed Final 2022 Amendment); and

WHEREAS, pursuant to the State Environmental Quality Review Act, DEC determined that the Proposed Final 2022 Amendment would not have a significant adverse impact on the environment and filed notice thereof in the Environmental Notice Bulletin on February 23, 2022; and

WHEREAS, the Proposed Final 2022 Amendment proposes to authorize permanent construction of watercraft decontamination facilities at Intensive Use Area facilities that include campgrounds and day-use areas in the Adirondack Park managed by DEC, Division of Operations, which will prevent the spread of aquatic invasive species via recreational boating; and

WHEREAS, on March 10, 2022 DEC presented the Proposed Final 2022 Amendment to the Agency and on June 9, 2022 APA staff made a presentation recommending that the Proposed Final 2022 Amendment conforms with the guidelines and criteria of the APSLMP; and

WHEREAS, the Agency has considered the Proposed Final 2022 Amendment; DEC staff's March 10, 2022 presentation; the interagency memo dated March 14, 2022; comments received by the public; APA staff's June 9, 2022 presentation; and the deliberations of Agency Board Members and designees at the Agency's June 9, 2022 meeting.

NOW, THEREFORE, BE IT RESOLVED that pursuant to Section 816 of the Adirondack Park Agency Act, the Agency finds the Proposed Final Amendment to the Generic Unit Management Plan for Campgrounds and Day-Use Areas (Watercraft Decontamination Facilities), dated June 2022, conforms with the guidelines and criteria of the APSLMP; and

BE IT FINALLY RESOLVED that the Agency authorizes its Executive Director to advise the Commissioner of Environmental Conservation of the Agency's determination in this matter.

Ayes: John Ernst, Dan Wilt, Mark Hall, Andrea Hogan, Art Lussi, Kenneth Lynch, Matt Tebo, Brad Austin, Randall Young

Nays: None

Abstentions: Zoe Smith

Absent: Benita Law-Diao

SUMMARY

Generic Unit Management Plan (UMP) for Campgrounds and Day-Use Areas Amendment

This is an amendment to the Final Generic UMP for Campgrounds and Day-Use Areas adopted August 1990 (Generic UMP). The Generic UMP provides information on the environmental setting, inventory of facilities, organizational structure, issues, constraints, management objectives, and effects for Campgrounds and Day-Use Areas in both the Adirondack and Catskill Parks.

The proposed amendment will allow for the construction and permanent placement of aquatic invasive species (AIS) decontamination facilities including equipment storage buildings, decontamination pad, and vehicle access. Because watercraft contaminated with AIS is a common pathway for the introduction of AIS into a waterbody, decontamination of watercraft is seen as an effective tool for reducing the risk of anthropogenic introduction.

Background

DEC manages 51 campgrounds in the Adirondack and Catskill Parks with over 1,000,000 visitor camper nights each season. The campgrounds and five special use areas at Lake George Beach, Prospect Mountain Highway, Hinckley Reservoir Picnic Area, Fourth Lake Picnic Area, and Lake George Battlefield Picnic Area also receive nearly 400,000 day-use visitors annually. Many of these visitors bring recreational watercraft with them to the campgrounds, arriving at these DEC facilities from every county in New York and from most states and Canadian provinces.

Aquatic Invasive Species Concerns

Research demonstrates that recreational watercraft are the greatest vector for transport and introduction of AIS throughout the United States. New York has close to half a million motorized boats and hundreds of thousands more non-motorized watercraft. In addition, recreational watercraft users visit New York from many states and Canadian provinces, some coming from locations with known infestations of the aquatic invasive plants and animals such

as hydrilla and spiny waterflea. Many visitors are unaware of the animals and plants that hitch a ride on their boats, trailers, and equipment to new locations.

Aquatic invasive plants and animals can greatly impact native ecosystems. Aquatic invasive plants can create dense beds of vegetation that impair swimming, fishing and navigation as well as impacting aquatic animals. In addition, invasive mussels and zooplankton can negatively impact water quality and lake ecology by direct competition, and by altering the cycling of nutrients.

Proposal to Construct Watercraft Decontamination Facilities at DEC Intensive Use Areas

With hundreds of thousands of registered motorized watercraft being operated in New York and many more non-motorized watercraft (e.g. canoes and kayaks) being used for recreation, sport, and commercial endeavors throughout New York, decreasing the risk of AIS spread to our lakes, ponds, and rivers is imperative. Watercraft inspection stewards provide education and outreach to many boaters at the campgrounds. As part of their interaction with the public they offer voluntary inspections and boat washes using special decontamination units that have high pressure and hot water to dislodge and remove AIS from the watercraft and trailers. Currently, decontamination units are housed in sheds that are placed seasonally across the Park. Moving the temporary sheds at the end of each season results in damage and is logistically difficult and time consuming.

The proposal's Full Environmental Assessment form under SEQRA shows no significant adverse environmental impacts resulting from the plan's implementation. As existing temporary sheds no longer fulfill the intended purpose, permanent watercraft decontamination facilities will be installed. All new installations will be undertaken pursuant to a DEC work plan. Any modifications to the siting criteria discussed below will include consultation with the APA.

Siting Criteria

The following are the siting criteria for the construction of the decontamination facilities:

- Located in a campground or day use area.

- Avoid wetlands, minimize extensive topographic alterations, limit vegetative clearing, and preserve the scenic, natural and open spaces resources of the Intensive Use Area.
- Set back a minimum of 150 feet from the mean high watermark and located to be reasonably screened from the waterbody to avoid intruding on the natural character of the shoreline and the public enjoyment and use thereof. Setback must be sufficient to avoid overland runoff from reaching any wetland or surface water (including permanent or intermittent streams, or drainage ditches that discharge to surface waters, and including discharges resulting from storm events). Where the retention of this dimension cannot be maintained, distances more or less than 150 feet may be considered on a site-specific basis via a State Land Consultation with the APA.

Description of Watercraft Decontamination Facility

(see attached building drawings)

- The watercraft decontamination facility shall be a single story building not to exceed 320 square feet with a height of fifteen feet or less above existing grade.
- Exterior walls and siding shall incorporate natural materials or wood siding to the extent possible to blend with existing surroundings. Any exterior painted surfaces and roofs shall be a natural shade of green, grey or brown.
- Site-specific modifications may need to be made on a case-by-case basis via a State Land Consultation with the APA.

Description of Decontamination Pad Siting Criteria

- A stable and level surface should be designed and constructed to allow for the placement of the boat wash unit's decontamination pad to be laid flat on the road surface for boat inspection and cleaning. The pad should be constructed to the minimum dimensions possible to allow wash water to be contained, collected and recycled back to the unit for re-use or to run into an infiltration basin if the decontamination station does not recycle water. For locations that employ water recycling the pad will have a six-inch berm to contain wash water, which can be driven over. No ramp is needed.
- The pads need to be set up in such a manner that the boater doesn't have to excessively

maneuver the vehicle and trailer to drive onto the pad. Preferably it will be a straight drive on entry, as allowed by road layout/access.

- A relatively flat location within close proximity of the shed/decontamination unit is required to allow ample room for both the spray wand and waste water reclaim hose to reach the watercraft. The location should be level or sloped in a manner as to encourage wash water to naturally drain from the watercraft.
- Modifications may be considered on a site-specific basis via a State Land Consultation with the APA.

Project :

Date :

Full Environmental Assessment Form
Part 3 - Evaluation of the Magnitude and Importance of Project Impacts
and
Determination of Significance

Part 3 provides the reasons in support of the determination of significance. The lead agency must complete Part 3 for every question in Part 2 where the impact has been identified as potentially moderate to large or where there is a need to explain why a particular element of the proposed action will not, or may, result in a significant adverse environmental impact.

Based on the analysis in Part 3, the lead agency must decide whether to require an environmental impact statement to further assess the proposed action or whether available information is sufficient for the lead agency to conclude that the proposed action will not have a significant adverse environmental impact. By completing the certification on the next page, the lead agency can complete its determination of significance.

Reasons Supporting This Determination:

To complete this section:

- Identify the impact based on the Part 2 responses and describe its magnitude. Magnitude considers factors such as severity, size or extent of an impact.
- Assess the importance of the impact. Importance relates to the geographic scope, duration, probability of the impact occurring, number of people affected by the impact and any additional environmental consequences if the impact were to occur.
- The assessment should take into consideration any design element or project changes.
- Repeat this process for each Part 2 question where the impact has been identified as potentially moderate to large or where there is a need to explain why a particular element of the proposed action will not, or may, result in a significant adverse environmental impact.
- Provide the reason(s) why the impact may, or will not, result in a significant adverse environmental impact
- For Conditional Negative Declarations identify the specific condition(s) imposed that will modify the proposed action so that no significant adverse environmental impacts will result.
- Attach additional sheets, as needed.

Determination of Significance - Type 1 and Unlisted Actions

SEQR Status: Type 1 Unlisted

Identify portions of EAF completed for this Project: Part 1 Part 2 Part 3

Upon review of the information recorded on this EAF, as noted, plus this additional support information

and considering both the magnitude and importance of each identified potential impact, it is the conclusion of the _____ as lead agency that:

A. This project will result in no significant adverse impacts on the environment, and, therefore, an environmental impact statement need not be prepared. Accordingly, this negative declaration is issued.

B. Although this project could have a significant adverse impact on the environment, that impact will be avoided or substantially mitigated because of the following conditions which will be required by the lead agency:

There will, therefore, be no significant adverse impacts from the project as conditioned, and, therefore, this conditioned negative declaration is issued. A conditioned negative declaration may be used only for UNLISTED actions (see 6 NYCRR 617.7(d)).

C. This Project may result in one or more significant adverse impacts on the environment, and an environmental impact statement must be prepared to further assess the impact(s) and possible mitigation and to explore alternatives to avoid or reduce those impacts. Accordingly, this positive declaration is issued.

Name of Action:

Name of Lead Agency:

Name of Responsible Officer in Lead Agency:

Title of Responsible Officer:

Signature of Responsible Officer in Lead Agency:

Josh Houghton

Date:

Signature of Preparer (if different from Responsible Officer)

Date:

For Further Information:

Contact Person:

Address:

Telephone Number:

E-mail:

For Type 1 Actions and Conditioned Negative Declarations, a copy of this Notice is sent to:

Chief Executive Officer of the political subdivision in which the action will be principally located (e.g., Town / City / Village of)

Other involved agencies (if any)

Applicant (if any)

Environmental Notice Bulletin: <http://www.dec.ny.gov/enb/enb.html>

Attachment to Part 3

Question 9, Impact on Aesthetic Resources

The decontamination unit will be placed near boat launches whenever possible, to allow for overnight storage of decontamination units during the boating season. All buildings will meet the color requirements of the Adirondack Park Agency and will be as unobstrusive as possible.

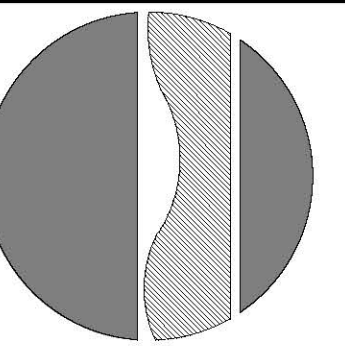
Question 14, Impact on Energy

A slight increase in energy is anticipated during the construction phase of the project due to heavy equipment use. In addition, decontamination units use gas or electricity to heat the water that is used to wash boats and trailers. Hot water is also administered under high pressure to remove and kill any aquatic invasive species. Energy used for the units is minimal and operation is sporadic.

Question 15, Impact on Noise, Odor and Light

Heavy equipment used in the construction of a decontamination building may cause a temporary increase in noise. In addition, the engine and burner of the unit housed with the decontamination building may generate noise above ambient levels when in use. The high pressure and heat generated are essential for removing and killing aquatic invasive species found on watercraft, an essential part of invasion prevention in the Aquatic Invasive Species Spread Prevention Program.

Construction of decontamination units will not result in significant adverse impacts on the environment.

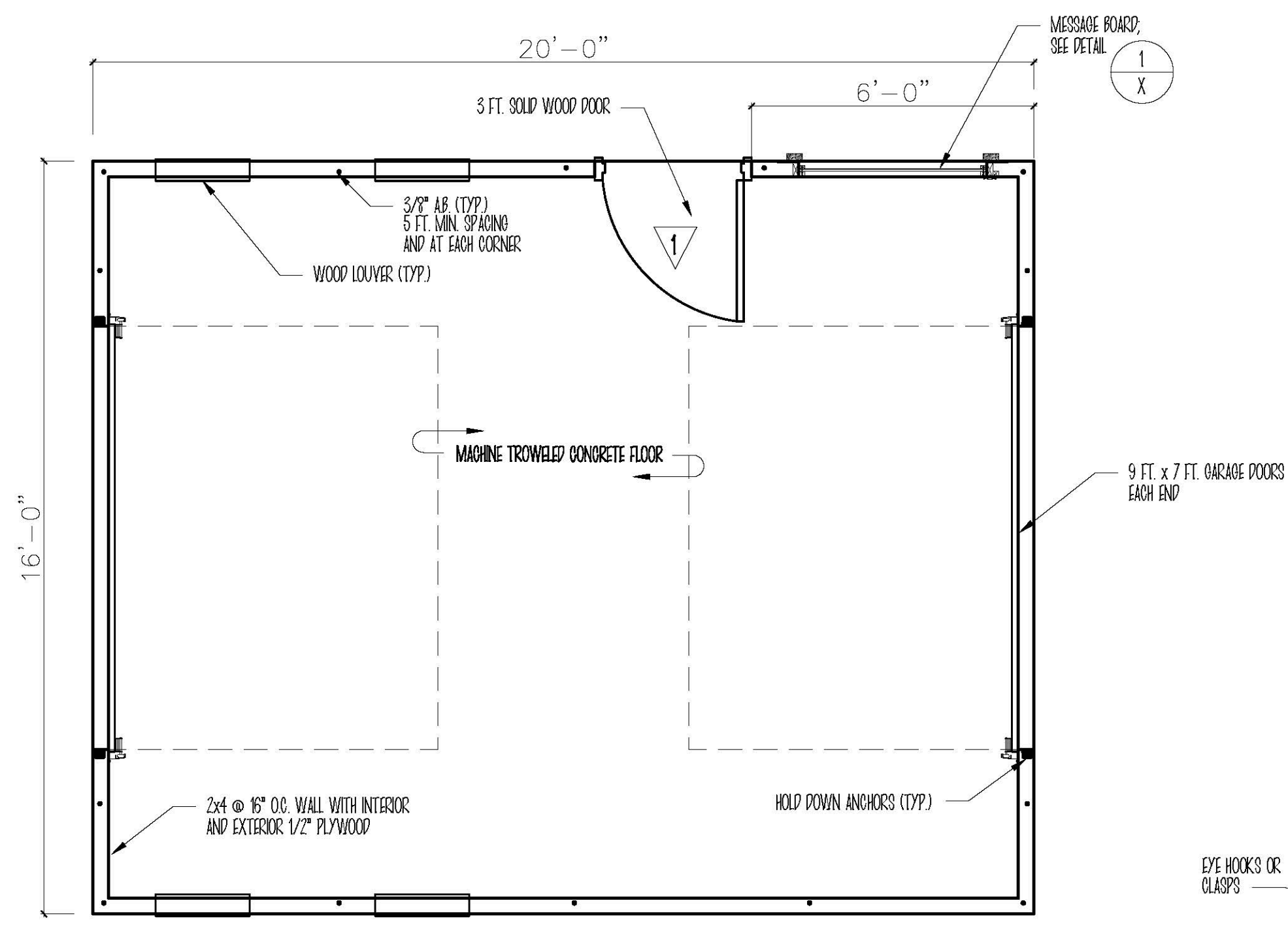


DESIGNED BY	CHECKED BY	DRAWN BY
BY <i>DLB</i>	BY <i>DLB</i>	BY <i>DLB</i>

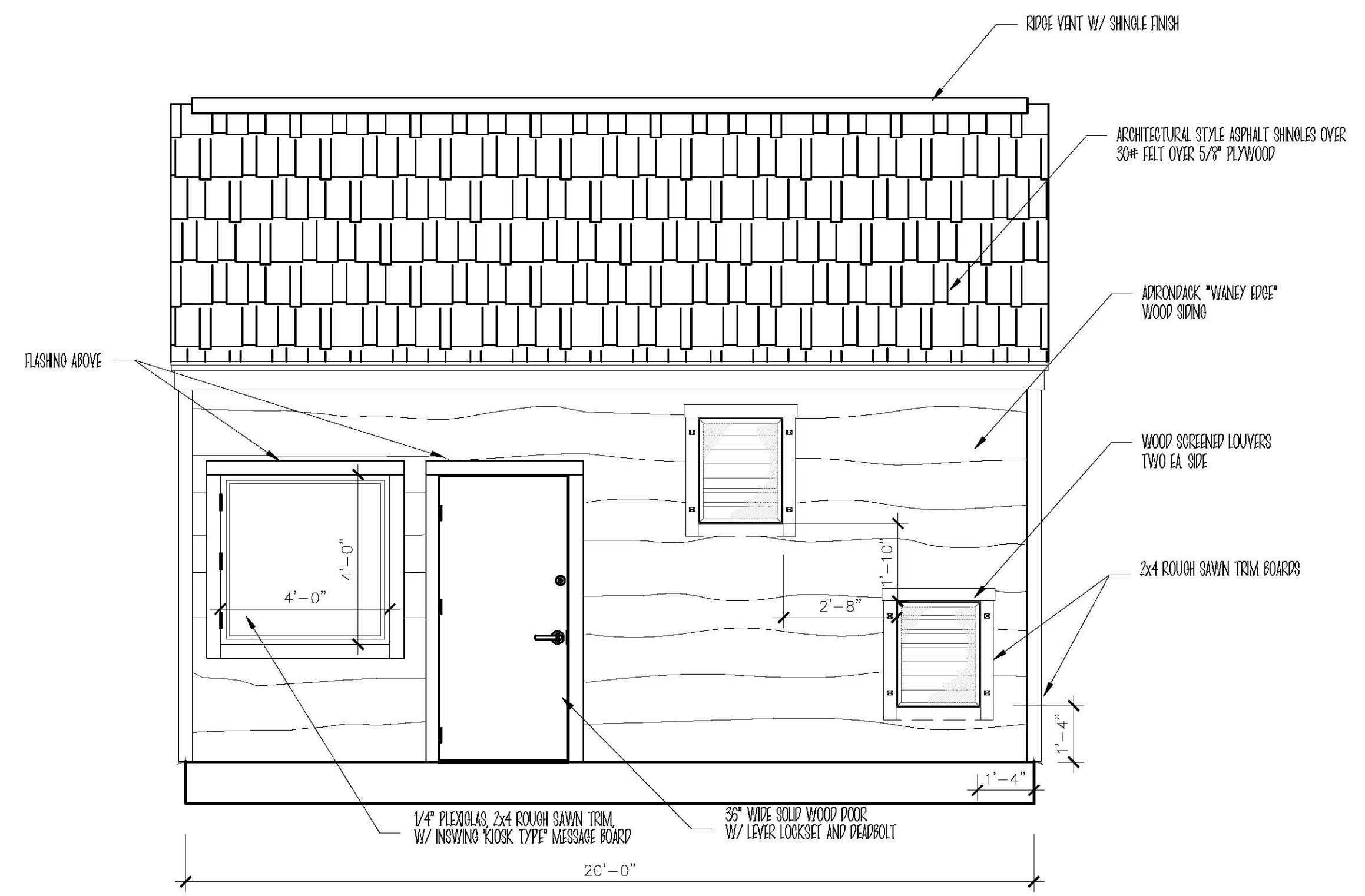
REVISIONS	BY	DESCRIPTION
NO. DATE		

PROJECT DESCRIPTION
NYS DEC
CAMPGROUND BUILDINGS
BOAT WASH BUILDING

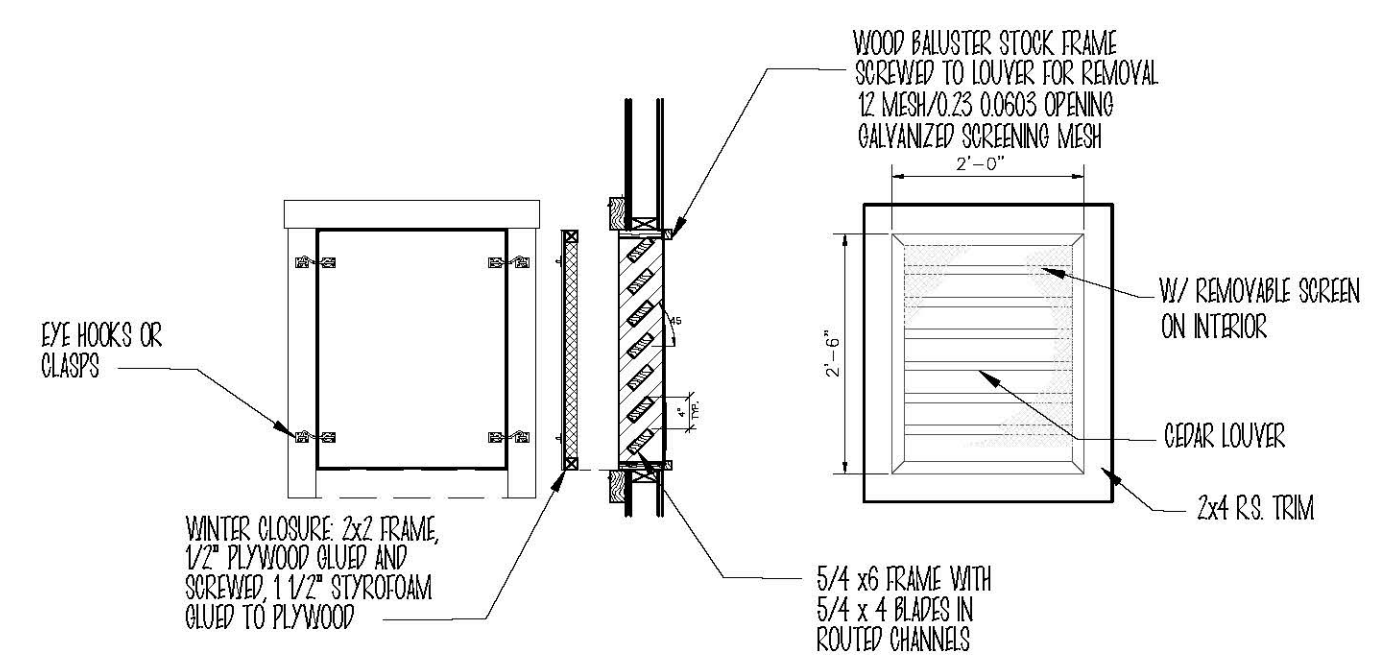
FACILITY NAME	X
FACILITY NO.	X
PROJECT NO.	X
DATE	X, 2017
SCALE	AS NOTED
DRAWING NO.	X



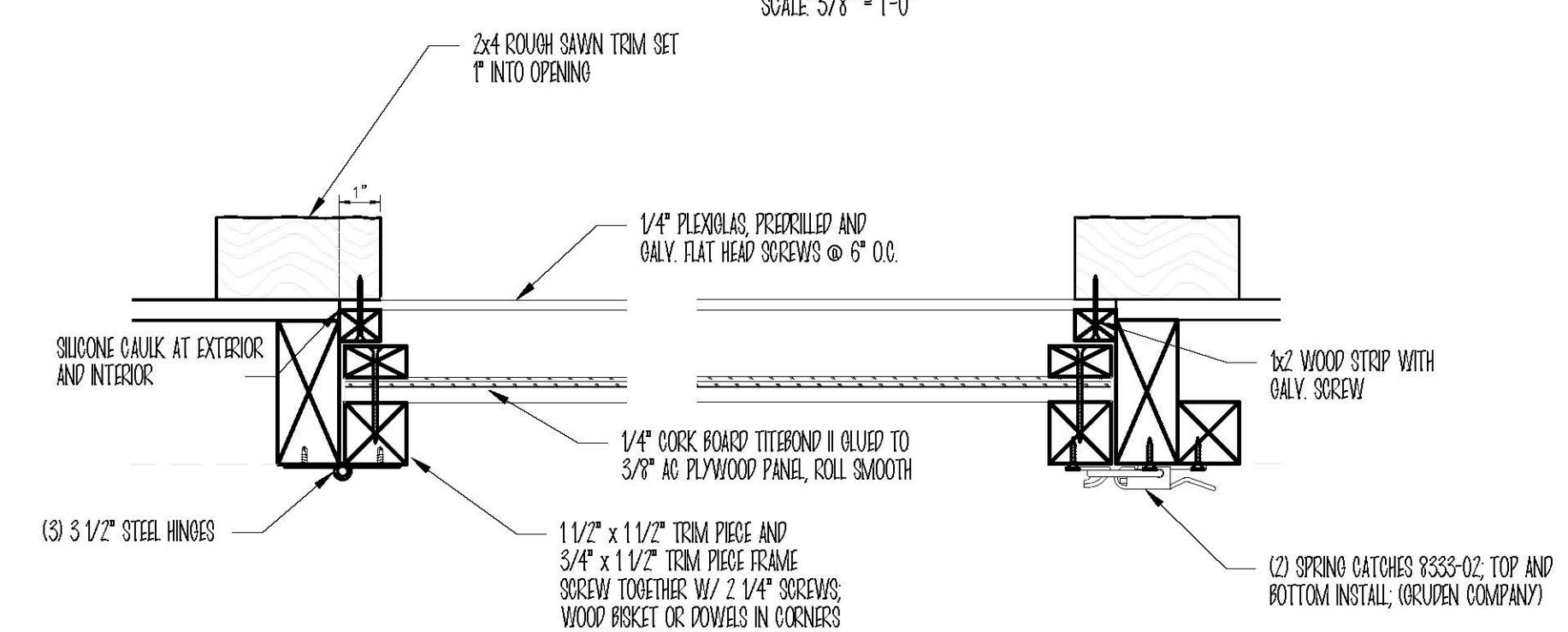
PLAN
SCALE 3/8" = 1'-0"



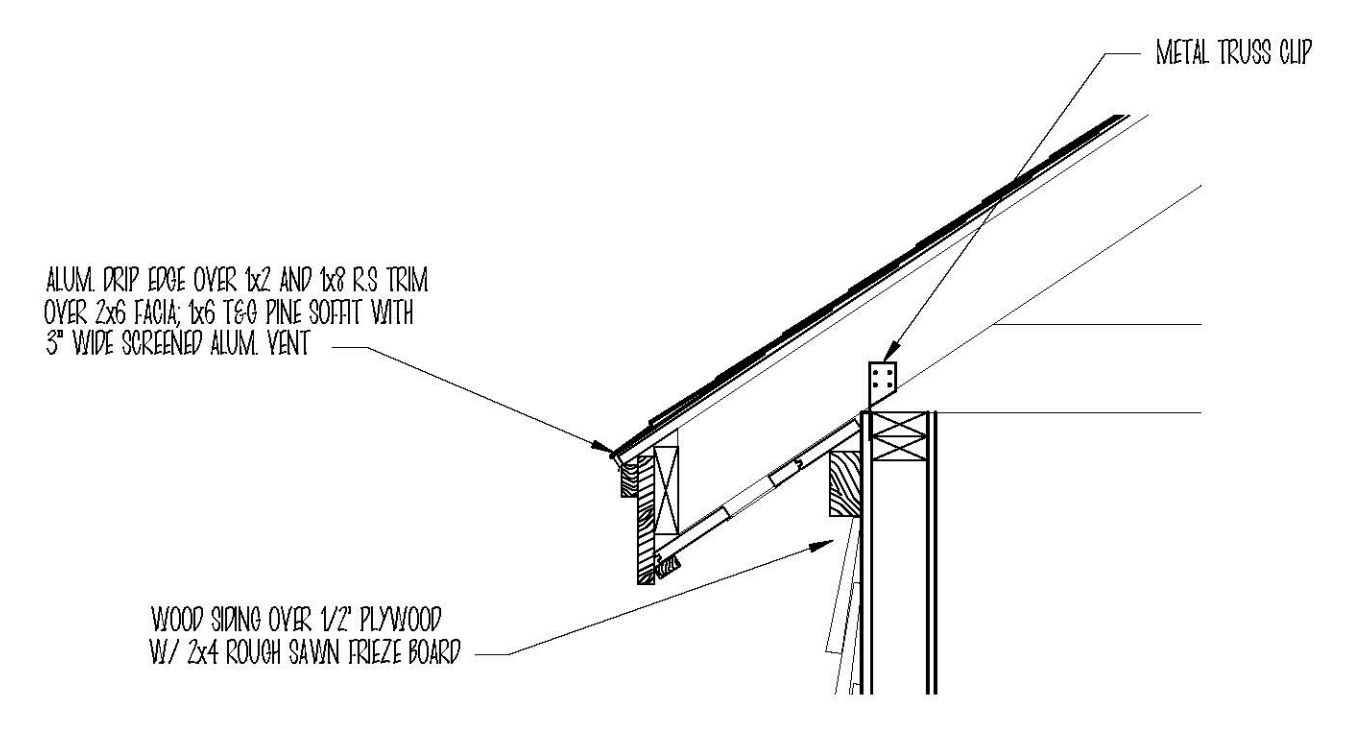
SIDE ELEVATION
SCALE 3/8" = 1'-0"



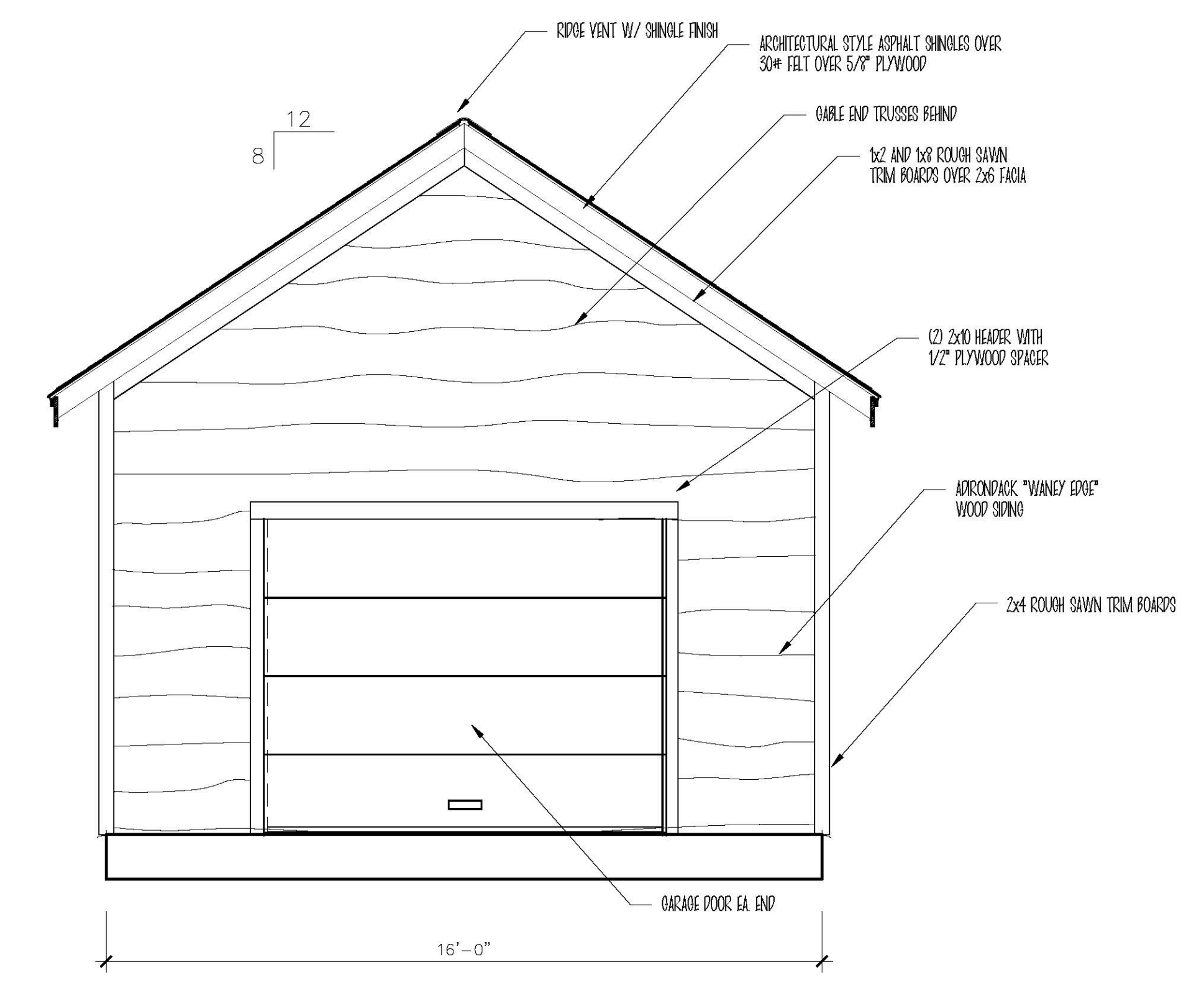
LOUVER DETAIL
SCALE 1/2" = 1'-0"



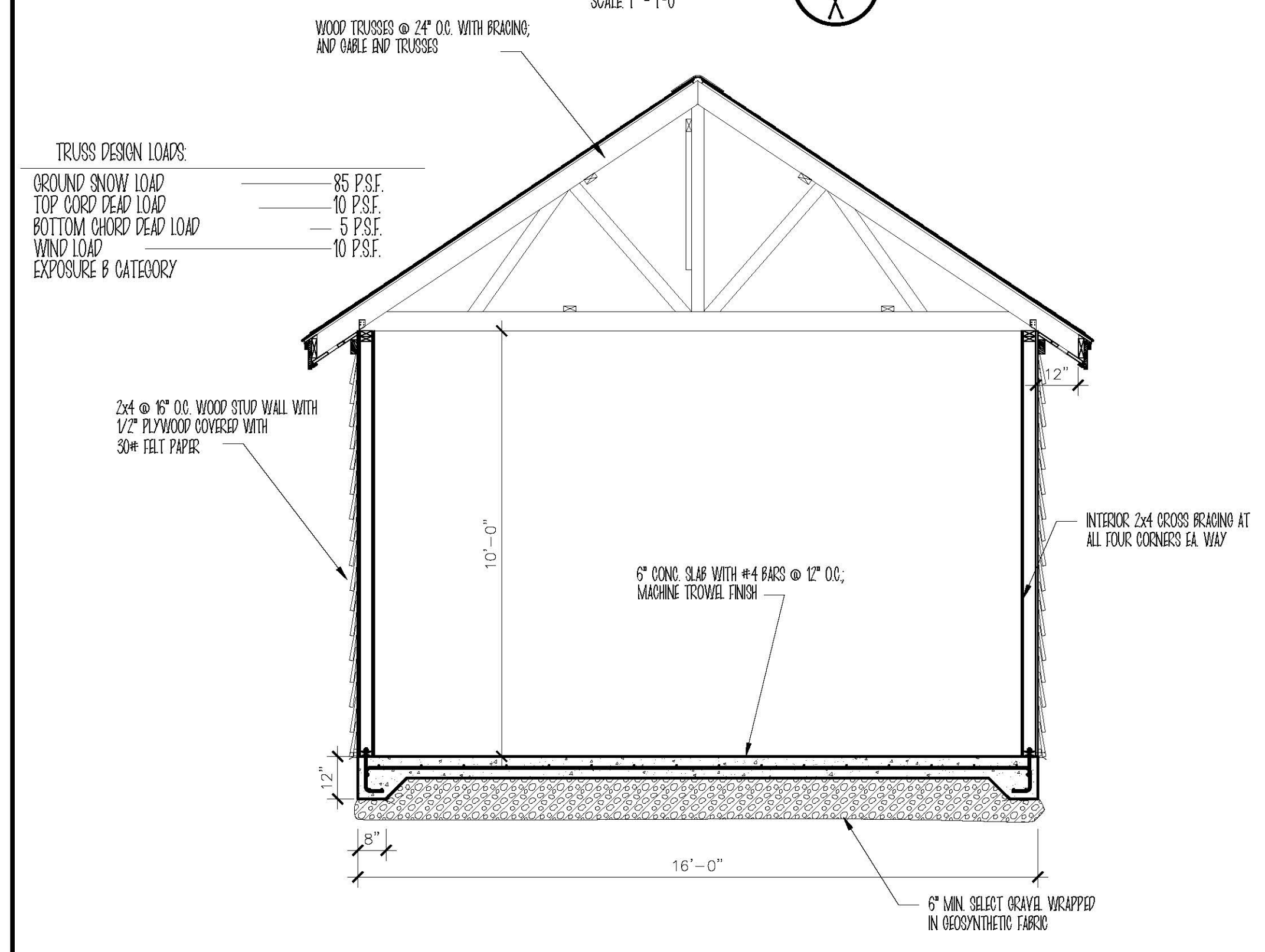
MESSAGE BOARD DETAIL
SCALE 1" = 1'-0"



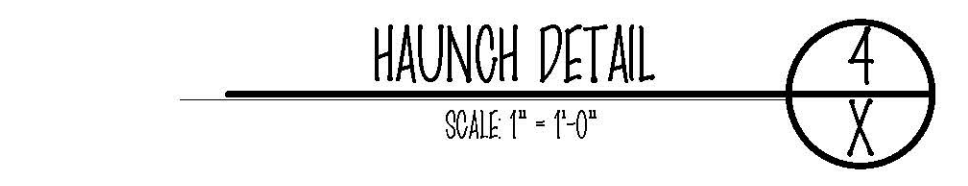
SOFFIT DETAIL
SCALE 1" = 1'-0"



END ELEVATION
SCALE 3/8" = 1'-0"



SECTION
SCALE 3/8" = 1'-0"



HAUNCH DETAIL
SCALE 1" = 1'-0"

Exhibit #1 - Response to public comments

The Department held a public comment period from February 23 - April 2, 2022. During that time, four written comments were received. Submission numbers can not be viewed as discrete individuals or weighed purely on numerical majority. Members of the public were not limited to one form of comment or from submitting multiple responses. In addition, some comments were submitted on behalf of organizations or user groups representing many members. All comments regardless of type will be reviewed and considered as the final Amendment is prepared. In review, two common themes emerged. The Department's responses are grouped by each theme below.

Public comments in support of watercraft decontamination stations.

Public - "Siting the decontamination stations at campgrounds and day-use areas makes it easy for boaters to follow the legally required clean, drain, dry practices to prevent the spread of AIS. APIPP fully supports the proposed amendment and allowing the building of infrastructure including electricity, water, drainage, and sheds to store equipment. The proposed amendment will enable the increased use of decontamination stations and make them more cost effective to run."

"These campgrounds and day-use areas are some of our most visible recreation areas drawing over a million visitors a year. Many of these visitors come from across New York and the entire northeast region where aquatic invasive species (AIS) are prevalent. Therefore, it is critically important to have facilities to decontaminate watercraft to reduce the likelihood of AIS spread and protect our waterbodies."

"Our Town is pleased to see that DEC is updating the UMP to allow for construction of permanent structures to house and store boat decontamination equipment. We are supportive of this proposed change. This will assure that any state decontamination stations are able to be operated and stored properly... It will also assure that any such facilities are constructed in an environmentally sound manner to prevent any runoff and limit the impact on the surrounding area."

DEC response- DEC currently funds a watercraft inspection stewards at several campground boat launches. Current NYS Regulation 6 NYCRR Part 576 requires that all boaters must clean,

drain, and dry their vessel and equipment before launching into a public waterbody. This requirement applies to boaters whether boat stewards are present or not. DEC has and will continue to provide a steward in the future as resources allow.

With hundreds of thousands of registered motorized watercrafts being operated in New York and many more non-motorized watercraft (e.g., canoes and kayaks) being used for recreation, sport, and commercial endeavors throughout New York, decreasing the risk of AIS spread to our lakes, ponds, and rivers is imperative.

The collaboration between a multitude of organizations, councils, public outreach and education efforts are outlined in the New York State Invasive Species Comprehensive Management Plan. The goal of the plan is to “minimize the introduction, establishment, and proliferation of invasive species thereby limiting potential negative impacts” and does so through these partnerships and several initiatives.

The proposed amendment will allow for the construction and permanent placement of aquatic invasive species decontamination facilities including equipment storage buildings, decontamination pad, and vehicle access. Because watercraft contaminated with AIS is a common pathway for the introduction of AIS into a waterbody, decontamination of watercraft is seen as an effective tool for reducing the risk of anthropogenic introduction.

[Public comments regarding improved use of resources.](#)

Public – “Our association currently expends funds for the purchase and maintenance of a tent structure on NYS Route 74 in the Town of Schroon, Essex County. Our limited resources could be better deployed toward the direct control of invasives already present in Paradox Lake. ...we hope this could be the beginning of NYS DEC taking a more proactive, comprehensive, and hands-on role in containing the spread of aquatic invasives in NYS waterways. The current model of lake associations leading the battle, with limited resources, is yielding questionable results.”

Public – “The Town of Caroga has an invasive species program that is a gateway program for boaters using Routes 10 and 29A... These efforts are made possible through a major investment of scarce Town resources and contributions from the Canada Lake Conservation Association. We have also been able to strategically utilize AIS grant funding from DEC.”

Public - “A decontamination facility located at the Paradox Lake State Campground would be a more effective location than the current one provides.”

DEC response- The Department is committed to working in cooperation with the Upper Saranac Lake Association, the Upper Saranac Foundation, the Adirondack Watershed Institute Stewardship Program and other user groups and organizations to maximize resources used to prevent the introduction and spread of AIS. Watercraft decontamination facilities will be sited to meet these goals.

Other Public comments.

Public – “While the USF supports the Amendment to Campgrounds for permanent Watercraft Decontamination Facilities, we would encourage the DEC to consider including infrastructural needs for decontamination units such as the Landa PHW in the Generic UMP amendment.”

DEC Response – The Department will take these comments into consideration while designing the proposed decontamination facilities. As older models are phased out of the program over time, newer decontamination units with different features and specifications will be incorporated in the fleet.