



Department of  
Environmental  
Conservation

# State Pollutant Discharge Elimination System (SPDES) DISCHARGE PERMIT

SIC Code:	<b>4952</b>	NAICS Code:	<b>221320</b>	SPDES Number:	<b>NY 027 0211</b>
Discharge Class (CL):	<b>07</b>	DEC Number:	<b>6-4026-00171/00004</b>		
Toxic Class (TX):	<b>N</b>	Effective Date (EDP):	<b>11/01/2024</b>		
Major-Sub Drainage Basin:	<b>09 - 05</b>	Expiration Date (ExDP):	<b>10/31/2029</b>		
Water Index Number:	<b>SL-25</b>	Item No.:	<b>910 - 1090</b>	Modification Dates (EDPM):	<b>XX/XX/2024</b>
Compact Area:	<b>IJC</b>				

This SPDES permit is issued in compliance with Title 8 of Article 17 of the Environmental Conservation Law of New York State and in compliance with the Clean Water Act, as amended, (33 U.S.C. '1251 et.seq.)

PERMITTEE NAME AND ADDRESS							
Name:	<b>Town of Clifton</b>			Attention:	<b>Supervisor</b>		
Street:	<b>P.O. Box 684, 7171 State Highway 3</b>			State:	<b>NY</b>	Zip Code:	<b>12927</b>
City:	<b>Cranberry Lake</b>			Phone:	<b>315-848-2915</b>		
Email:	<a href="mailto:tofctownclerk@gmail.com">tofctownclerk@gmail.com</a>						

is authorized to discharge from the facility described below:

FACILITY NAME, ADDRESS, AND PRIMARY OUTFALL											
Name:	<b>Newton Falls Wastewater Treatment Plant</b>										
Address / Location:	<b>789 County Route 60</b>						County:	<b>St. Lawrence</b>			
City:	<b>Newton Falls</b>				State:	<b>NY</b>	Zip Code:	<b>13670</b>			
Facility Location:	Latitude:	<b>44</b> °	<b>12</b> '	<b>42</b> " N	& Longitude:	<b>74</b> °	<b>59</b> '	<b>39</b> " W			
Primary Outfall No.:	<b>001</b>	Latitude:	<b>44</b> °	<b>12</b> '	<b>39</b> " N	& Longitude:	<b>75</b> °	<b>00</b> '	<b>02</b> " W		
Outfall Description:	<b>Treated Sanitary</b>	Receiving Water:	<b>Oswegatchie River</b>			Class:	<b>C(TS)</b>	Standard:	<b>C</b>		

in accordance with: effluent limitations; monitoring and reporting requirements; other provisions and conditions set forth in this permit; and 6 NYCRR Part 750-1 and 750-2.

This permit and the authorization to discharge shall expire on midnight of the expiration date shown above and the permittee shall not discharge after the expiration date unless this permit has been renewed or extended pursuant to law. To be authorized to discharge beyond the expiration date, the permittee shall apply for permit renewal not less than 180 days prior to the expiration date shown above.

**DISTRIBUTION:**

- BWP Permit Coordinator ([permit.coordinator@dec.ny.gov](mailto:permit.coordinator@dec.ny.gov))
- BWP Permit Writer
- RWE
- RPA
- EPA Region II ([Region2\\_NPDES@epa.gov](mailto:Region2_NPDES@epa.gov))
- NYSEFC ([Nancy.myers@efc.ny.gov](mailto:Nancy.myers@efc.ny.gov))

Permit Administrator:		
Address:	317 Washington St. Watertown, NY 13601	
Signature	Date	

## Contents

DEFINITIONS.....	3
PERMIT LIMITS, LEVELS AND MONITORING.....	4
MERCURY MINIMIZATION PROGRAM for Low Priority POTWs.....	5
DISCHARGE NOTIFICATION REQUIREMENTS.....	6
SCHEDULE OF COMPLIANCE.....	7
MONITORING LOCATIONS.....	8
GENERAL REQUIREMENTS.....	9
RECORDING, REPORTING AND ADDITIONAL MONITORING REQUIREMENTS.....	11
E. Schedule of Additional Submittals:.....	12

DRAFT

## DEFINITIONS

TERM	DEFINITION
7-Day Geo Mean	The highest allowable geometric mean of daily discharges over a calendar week.
7-Day Average	The average of all daily discharges for each 7-days in the monitoring period. The sample measurement is the highest of the 7-day averages calculated for the monitoring period.
12-Month Rolling Average (12 MRA)	The current monthly value of a parameter, plus the sum of the monthly values over the previous 11 months for that parameter, divided by the number of months for which samples were collected in the 12-month period.
30-Day Geometric Mean	The highest allowable geometric mean of daily discharges over a calendar month, calculated as the antilog of: the sum of the log of each of the daily discharges measured during a calendar month divided by the number of daily discharges measured during that month.
Action Level	Action level means a monitoring requirement characterized by a numerical value that, when exceeded, triggers additional permittee actions and DEC review to determine if numerical effluent limitations should be imposed.
Compliance Level / Minimum Level	A compliance level is an effluent limitation. A compliance level is given when the water quality evaluation specifies a Water Quality Based Effluent Limit (WQBEL) below the Minimum Level. The compliance level shall be set at the Minimum Level (ML) for the most sensitive analytical method as given in 40 CFR Part 136, or otherwise accepted by the DEC.
Daily Discharge	The discharge of a pollutant measured during a calendar day or any 24-hour period that reasonably represents the calendar day for the purposes of sampling. For pollutants expressed in units of mass, the 'daily discharge' is calculated as the total mass of the pollutant discharged over the day. For pollutants with limitations expressed in other units of measurement, the 'daily discharge' is calculated as the average measurement of the pollutant over the day.
Daily Maximum	The highest allowable Daily Discharge.
Daily Minimum	The lowest allowable Daily Discharge.
Effective Date of Permit (EDP or EDPM)	The date this permit is in effect.
Effluent Limitations	Effluent limitation means any restriction on quantities, quality, rates and concentrations of chemical, physical, biological, and other constituents of effluents that are discharged into waters of the state.
Expiration Date of Permit (ExDP)	The date this permit is no longer in effect.
Instantaneous Maximum	The maximum level that may not be exceeded at any instant in time.
Instantaneous Minimum	The minimum level that must be maintained at all instants in time.
Monthly Average	The highest allowable average of daily discharges over a calendar month, calculated as the sum of each of the daily discharges measured during a calendar month divided by the number of daily discharges measured during that month.
Outfall	The terminus of a sewer system, or the point of emergence of any waterborne sewage, industrial waste or other wastes or the effluent therefrom, into the waters of the State.
Range	The minimum and maximum instantaneous measurements for the reporting period must remain between the two values shown.
Receiving Water	The classified waters of the state to which the listed outfall discharges.
Sample Frequency / Sample Type / Units	See NYSDEC's "DMR Manual for Completing the Discharge Monitoring Report for the SPDES" for information on sample frequency, type and units.

## PERMIT LIMITS, LEVELS AND MONITORING

OUTFALL	LIMITATIONS APPLY	RECEIVING WATER	EFFECTIVE	EXPIRING
001	All Year (unless otherwise specified)	Oswegatchie River	11/01/2024	10/31/2029

PARAMETER	EFFLUENT LIMITATION					MONITORING REQUIREMENTS				FN
	Type	Limit	Units	Limit	Units	Sample Frequency	Sample Type	Location		
								Inf.	Eff.	
Flow	Monthly Average	0.036	MGD			Continuous	Recorder		X	
pH	Daily Minimum	6.0	SU	-	-	Daily	Grab		X	
	Daily Maximum	9.0	SU	-	-					
Temperature	Daily Maximum	Monitor	°F	-	-	Daily	Grab		X	
BOD <sub>5</sub>	Monthly Average	30	mg/L	9.2	lbs/d	2/Year	Grab	X	X	1,2
BOD <sub>5</sub>	7-Day Average	45	mg/L	13.7	lbs/d	2/Year	Grab		X	
Total Suspended Solids (TSS)	Monthly Average	30	mg/L	9.2	lbs/d	2/Year	Grab	X	X	1,2
Total Suspended Solids (TSS)	7-Day Average	45	mg/L	13.7	lbs/d	2/Year	Grab		X	
Settleable Solids	Daily Maximum	0.3	mL/L	-		Daily	Grab		X	
Visual Observation	Daily	Monitor	-	-	-	Daily	Visual		X	3

EFFLUENT DISINFECTION		Limit	Units	Limit	Units	Sample Frequency	Sample Type	Inf.	Eff.	FN
Required Seasonal from May 1st - October 31st										
Coliform, Fecal	30-Day Geometric Mean	200	No./100 mL			1/Month	Grab		X	4
Coliform, Fecal	7-Day Geometric Mean	400	No./100 mL			1/Month	Grab		X	4
Chlorine, Total Residual	Daily Maximum	2.0	mg/L			Daily	Grab		X	4,5

### FOOTNOTES:

- Effluent shall not exceed 15% and 15% of influent concentration values for BOD<sub>5</sub> & TSS respectively.
- One sample shall be taken between May 1<sup>st</sup> and October 31<sup>st</sup>, and the second sample shall be taken between November 1<sup>st</sup> and April 31<sup>st</sup>. The Permittee shall choose the same month during each season for consistency and samples shall be a minimum of 6 months apart.
- Visual observations shall be recorded, including date, time, color of effluent, and kept in a logbook in the plant office.
- This is a final effluent limitation and monitoring and reporting requirements are not in effect until May 1, 2026. See Schedule of Compliance on page 7.
- Sampling and reporting for total residual chlorine are only necessary if chlorine is used for disinfection, elsewhere in the treatment process, or the facility otherwise has reasonable potential to discharge chlorine. Otherwise, the permittee shall report NODI-9 on the DMR.

## MERCURY MINIMIZATION PROGRAM for Low Priority POTWs

The permittee shall inspect each tributary dental facility at least once every five years to verify compliance with the wastewater treatment operation, maintenance, and notification elements of 6NYCRR Part 374.4. Inspection and/or outreach to other industrial/commercial sectors which may contribute mercury is also recommended. All new or increased tributary discharges, including hauled wastes, which are from sources that are industrial in nature must be evaluated for mercury content and, if levels exceed 500 ng/L, authorization must then be obtained from the Department prior to acceptance. Equipment and materials which may contain mercury shall also be evaluated by the permittee and replaced with mercury-free alternatives where environmentally preferable. A file shall be maintained containing the notices submitted by dental offices and all other pertinent information. This file shall be available for review by NYSDEC representatives and copies shall be provided upon request. A permit modification may be necessary to include more stringent requirements for POTWs which do not maintain low mercury effluent levels. Note: the mercury-related requirements in this permit conform to the mercury Multiple Discharge Variance specified in NYSDEC policy DOW 1.3.10.

DRAFT

## DISCHARGE NOTIFICATION REQUIREMENTS

- (a) The permittee shall install and maintain identification signs at all outfalls to surface waters listed in this permit, unless the Permittee has obtained a waiver in accordance with the Discharge Notification Act (DNA). Such signs shall be installed before initiation of any new discharge location.
- (b) Subsequent modifications to or renewal of this permit does not reset or revise the deadline set forth in (a) above, unless a new deadline is set explicitly by such permit modification or renewal.
- (c) The Discharge Notification Requirements described herein do not apply to outfalls from which the discharge is composed exclusively of storm water, or discharges to ground water.
- (d) The sign(s) shall be conspicuous, legible and in as close proximity to the point of discharge as is reasonably possible while ensuring the maximum visibility from the surface water and shore. The signs shall be installed in such a manner to pose minimal hazard to navigation, bathing or other water related activities. If the public has access to the water from the land in the vicinity of the outfall, an identical sign shall be posted to be visible from the direction approaching the surface water.

The signs shall have **minimum** dimensions of eighteen inches by twenty-four inches (18" x 24") and shall have white letters on a green background and contain the following information:

<p><b>N.Y.S. PERMITTED DISCHARGE POINT</b></p> <p><b>SPDES PERMIT No.: NY_____</b></p> <p><b>OUTFALL No. : _____</b></p>
For information about this permitted discharge contact:
Permittee Name: _____
Permittee Contact: _____
Permittee Phone: ( ) - ### - #####
OR:
NYSDEC Division of Water Regional Office Address:
NYSDEC Division of Water Regional Phone: ( ) - ### - #####

- (e) Upon request, the permittee shall make available electronic or hard copies of the sampling data to the public. In accordance with the RECORDING, REPORTING AND ADDITIONAL MONITORING REQUIREMENTS page of your permit, each DMR shall be maintained (either electronically or as a hard copy) on record for a period of five years.
- (f) The permittee shall periodically inspect the outfall identification sign(s) in order to ensure they are maintained, are still visible, and contain information that is current and factually correct. Signs that are damaged or incorrect shall be replaced within 3 months of inspection.

## SCHEDULE OF COMPLIANCE

a) The permittee shall comply with the following schedule:

Outfall(s)	Compliance Action	Compliance Date <sup>1</sup>
001	ENGINEERING REPORT The permittee shall submit an approvable <sup>2</sup> Engineering Report that meets the requirements of the EFC/DEC Engineering Report Outline ( <a href="https://www.dec.ny.gov/permits/6054.html">https://www.dec.ny.gov/permits/6054.html</a> ). The report shall describe disinfection designs that will be used to comply with the final effluent limitations for Fecal Coliform and Total Chlorine Residual.	COMPLETED
001	DESIGN DOCUMENTS The permittee shall submit approvable <sup>2</sup> Design Documents including Engineering Plans, Specifications, and Construction Schedule for the implementation of effluent disinfection.	COMPLETED
001	INTERIM PROGRESS REPORT The permittee shall provide a status update for <i>Complete Construction</i> . Status update may be emailed.	April 1, 2025, and December 1, 2025
001	COMPLETE CONSTRUCTION AND COMMENCE OPERATION The permittee shall complete construction and commence operation of the disinfection system and comply with the final effluent limitations for Fecal Coliform and Total Residual Chlorine.	May 1, 2026
<b>Unless noted otherwise, the above actions are one-time requirements.</b>		

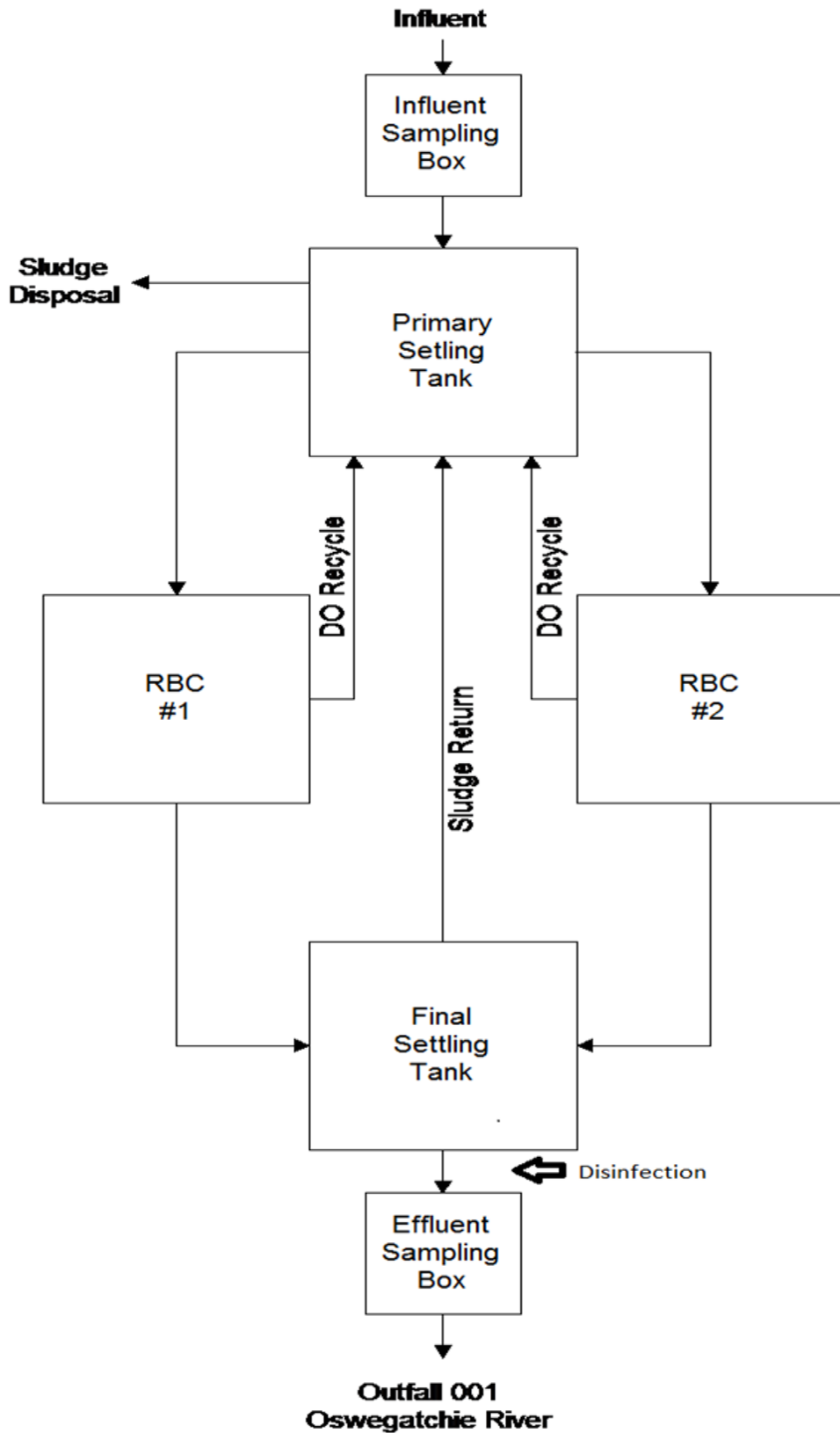
- b) The permittee shall submit a [Report of Non-Compliance Event](#) form with each of the above schedule dates no later than 14 days following each elapsed date, unless conditions require more immediate notice as prescribed in 6 NYCRR Part 750-1.2(a) and 750-2. All notifications shall be sent to the locations listed under the section of this permit entitled RECORDING, REPORTING AND ADDITIONAL MONITORING REQUIREMENTS. Each notice of non-compliance shall include the following information:
1. A short description of the non-compliance;
  2. A description of any actions taken or proposed by the permittee to comply with the elapsed schedule requirements without further delay and to limit environmental impact associated with the non-compliance;
  3. Any details which tend to explain or mitigate an instance of non-compliance; and
  4. An estimate of the date the permittee will comply with the elapsed schedule requirement and an assessment of the probability that the permittee will meet the next scheduled requirement on time.
- c) The permittee shall submit copies of any document required by the above schedule of compliance to the DEC Regional Water Engineer and to the Bureau of Water Permits.

<sup>1</sup> 6 NYCRR 750-1.14 (a)

<sup>2</sup> 6 NYCRR 750 1.2 (a)(8)

# MONITORING LOCATIONS

The permittee shall take samples and measurements, to comply with the monitoring requirements specified in this permit, at the location(s) specified below:





## GENERAL REQUIREMENTS

- A. The regulations in 6 NYCRR Part 750 are hereby incorporated by reference and the conditions are enforceable requirements under this permit. The permittee shall comply with all requirements set forth in this permit and with all the applicable requirements of 6 NYCRR Part 750 incorporated into this permit by reference, including but not limited to the regulations in paragraphs B through I as follows:
- B. General Conditions
- |  |   |
|--|---|
| 1. Duty to comply                                | 6 NYCRR 750-2.1(e) & 2.4                |
| 2. Duty to reapply                               | 6 NYCRR 750-1.16(a)                     |
| 3. Need to halt or reduce activity not a defense | 6 NYCRR 750-2.1(g)                      |
| 4. Duty to mitigate                              | 6 NYCRR 750-2.7(f)                      |
| 5. Permit actions                                | 6 NYCRR 750-1.1(c), 1.18, 1.20 & 2.1(h) |
| 6. Property rights                               | 6 NYCRR 750-2.2(b)                      |
| 7. Duty to provide information                   | 6 NYCRR 750-2.1(i)                      |
| 8. Inspection and entry                          | 6 NYCRR 750-2.1(a) & 2.3                |
- C. Operation and Maintenance
- |                                   |                                      |
|-----------------------------------|--------------------------------------|
| 1. Proper Operation & Maintenance | 6 NYCRR 750-2.8                      |
| 2. Bypass                         | 6 NYCRR 750-1.2(a)(17), 2.8(b) & 2.7 |
| 3. Upset                          | 6 NYCRR 750-1.2(a)(94) & 2.8(c)      |
- D. Monitoring and Records
- |                           |  |
|---------------------------|--|
| 1. Monitoring and records | 6 NYCRR 750-2.5(a)(2), 2.5(a)(6), 2.5(c)(1), 2.5(c)(2), & 2.5(d) |
| 2. Signatory requirements | 6 NYCRR 750-1.8 & 2.5(b)   |
- E. Reporting Requirements
- |   |                             |
|---|-----------------------------|
| 1. Reporting requirements                     | 6 NYCRR 750-2.5, 2.7 & 1.17 |
| 2. Anticipated noncompliance                  | 6 NYCRR 750-2.7(a)          |
| 3. Transfers                                  | 6 NYCRR 750-1.17            |
| 4. Monitoring reports                         | 6 NYCRR 750-2.5(e)          |
| 5. Compliance schedules                       | 6 NYCRR 750-1.14(d)         |
| 6. 24-hour reporting                          | 6 NYCRR 750-2.7(c) & (d)    |
| 7. Other noncompliance                        | 6 NYCRR 750-2.7(e)          |
| 8. Other information                          | 6 NYCRR 750-2.1(f)          |
| 9. Additional conditions applicable to a POTW | 6 NYCRR 750-2.9             |
- F. Planned Changes
1. The permittee shall give notice to the DEC as soon as possible of planned physical alterations or additions to the permitted facility when:
    - a. The alteration or addition to the permitted facility may meet any of the criteria for determining whether facility is a new source in 40 CFR §122.29(b); or
    - b. The alteration or addition could significantly change the nature or increase the quantity of pollutants discharged. This notification applies to pollutants which are subject either to effluent limitations in the permit, or to notification requirements under 40 CFR §122.42(a)(1); or
    - c. The alteration or addition results in a significant change in the permittee's sludge use or disposal practices, and such alteration, addition, or change may justify the application of permit conditions that are different from or absent in the existing permit, including notification of additional use or disposal sites not reported during the permit application process or not reported pursuant to an approved land application plan.

In addition to the DEC, the permittee shall submit a copy of this notice to the United States Environmental Protection Agency at the following address: U.S. EPA Region 2, Clean Water Regulatory Branch, 290 Broadway, 24th Floor, New York, NY 10007-1866.

## GENERAL REQUIREMENTS (continued)

### 2. Notification Requirement for POTWs

All POTWs shall provide adequate notice to the Department and the USEPA of the following:

- a. Any new introduction of pollutants into the POTW from an indirect discharger which would be subject to section 301 or 306 of CWA if it were directly discharging those pollutants; or
- b. Any substantial change in the volume or character of pollutants being introduced into that POTW by a source introducing pollutants into the POTW at the time of issuance of the permit.
- c. For the purposes of this paragraph, adequate notice shall include information on:
  - i. the quality and quantity of effluent introduced into the POTW, and
  - ii. any anticipated impact of the change on the quantity or quality of effluent to be discharged from the POTW.

POTWs shall submit a copy of this notice to the United States Environmental Protection Agency, at the following address:

U.S. EPA Region 2, Clean Water Regulatory Branch, 290 Broadway, 24th Floor, New York, NY 10007-1866

### G. Sludge Management

The permittee shall comply with all applicable requirements of 6 NYCRR Part 360.

### H. SPDES Permit Program Fee

The permittee shall pay to the Department an annual SPDES permit program fee within 30 days of the date of the first invoice, unless otherwise directed by the DEC, and shall comply with all applicable requirements of ECL 72-0602 and 6 NYCRR Parts 480, 481 and 485. Note that if there is inconsistency between the fees specified in ECL 72-0602 and 6 NYCRR Part 485, the ECL 72-0602 fees govern.

### I. Water Treatment Chemicals (WTCs)

New or increased use and discharge of a WTC requires prior DEC review and authorization. At a minimum, the permittee must notify the DEC in writing of its intent to change WTC use by submitting a completed *WTC Notification Form* for each proposed WTC. The DEC will review that submittal and determine if a SPDES permit modification is necessary or whether WTC review and authorization may proceed outside of the formal permit administrative process. The majority of WTC authorizations do not require SPDES permit modification. In any event, use and discharge of a WTC shall not proceed without prior authorization from the DEC. Examples of WTCs include biocides, coagulants, conditioners, corrosion inhibitors, defoamers, deposit control agents, flocculants, scale inhibitors, sequestrants, and settling aids.

1. WTC use shall not exceed the rate explicitly authorized by this permit or otherwise authorized in writing by the DEC.
2. The permittee shall maintain a logbook of all WTC use, noting for each WTC the date, time, exact location, and amount of each dosage, and, the name of the individual applying or measuring the chemical. The logbook must also document that adequate process controls are in place to ensure that excessive levels of WTCs are not used.
3. The permittee shall submit a completed WTC Annual Report Form each year that they use and discharge WTCs. This form shall be submitted in electronic format and attached to either the December DMR or the annual monitoring report required below. The *WTC Notification Form and WTC Annual Report Form* are available from the DEC's website at: <http://www.dec.ny.gov/permits/93245.html>

## RECORDING, REPORTING AND ADDITIONAL MONITORING REQUIREMENTS

- A. The monitoring information required by this permit shall be retained for a period of at least five years from the date of the sampling for subsequent inspection by the DEC or its designated agent.
- B. Discharge Monitoring Reports (DMRs): Completed DMR forms shall be submitted for each month reporting period in accordance with the DMR Manual available on DEC's website.

DMRs must be submitted electronically using the electronic reporting tool (NetDMR) specified by DEC. Instructions on the use of NetDMR can be found at <https://www.dec.ny.gov/chemical/8461.html>. **Hardcopy paper DMRs will only be accepted if a waiver from the electronic submittal requirements has been granted by DEC to the facility.**

Attach the monthly "Wastewater Facility Operation Report" (form 92-15-7) and any required DMR attachments electronically to the DMR or with the hardcopy submittal.

The first monitoring period begins on the effective date of this permit, and, unless otherwise required, the reports are due no later than the 28th day of the month following the end of each monitoring period.

- C. Additional information required to be submitted by this permit shall be summarized and reported to the Regional Water Engineer and Bureau of Water Permits at the following addresses:

Department of Environmental Conservation  
Division of Water, Bureau of Water Permits  
625 Broadway, Albany, New York 12233-3505      Phone: (518) 402-8111

Department of Environmental Conservation  
Regional Water Engineer, Region 6  
State Office Building, Watertown, New York, 13601-3787      Phone: (315) 785-2513

- D. Bypass and Sewage Pollutant Right to Know Reporting: In accordance with the Sewage Pollutant Right to Know Act (ECL § 17-0826-a), Publicly Owned Treatment Works (POTWs) are required to notify DEC and Department of Health within two hours of discovery of an untreated or partially treated sewage discharge and to notify the public and adjoining municipalities within four hours of discovery. Information regarding reporting and other requirements of this program may be found on the DEC's website. In addition, POTWs are required to provide a five-day incident report and supplemental information to the DEC in accordance with Part 750-2.7(d) by utilizing the Division of Water Report of Noncompliance Event form unless waived by DEC on a case-by-case basis.

E. Schedule of Additional Submittals:

The permittee shall submit the following information to the Regional Water Engineer and to the Bureau of Water Permits, unless otherwise instructed:

<b>SCHEDULE OF ADDITIONAL SUBMITTALS</b>		
<b>Outfall(s)</b>	<b>Required Action</b>	<b>Due Date</b>
001	<u>WATER TREATMENT CHEMICAL (WTC) ANNUAL REPORT FORM</u> The permittee shall submit a completed WTC Annual Report Form each year that Water Treatment Chemicals are used. The form shall be attached to the December DMR.	December DMR (January 28)
001	<u>ANNUAL FLOW CERTIFICATION</u> The permittee shall submit an Annual Flow Certification form each year in accordance with 750-2.9(C)(4). The form shall be attached to the February DMR or submitted through nForm.	February DMR (March 28 <sup>th</sup> )

**Unless noted otherwise, the above actions are one-time requirements.**

- F. Monitoring and analysis shall be conducted using sufficiently sensitive test procedures approved under 40 CFR Part 136, unless other test procedures have been specified in this permit.
- G. More frequent monitoring of the discharge(s), monitoring point(s), or waters of the State than required by the permit, where analysis is performed by a certified laboratory or where such analysis is not required to be performed by a certified laboratory, shall be included in the calculations and recording of the data on the corresponding DMRs.
- H. Calculations which require averaging of measurements shall utilize an arithmetic mean unless otherwise specified in this permit.
- I. Unless otherwise specified, all information recorded on the DMRs shall be based upon measurements and sampling carried out during the most recently completed reporting period.
- J. Any laboratory test or sample analysis required by this permit for which the State Commissioner of Health issues certificates of approval pursuant to section 502 of the Public Health Law shall be conducted by a laboratory which has been issued a certificate of approval. Inquiries regarding laboratory certification should be directed to the New York State Department of Health, Environmental Laboratory Accreditation Program.

**Permittee:** (T) Clifton  
**Facility:** Newton Falls WWTP  
**SPDES Number:** NY 027 0211  
USEPA Non-Major/Class 07 Municipal

**Date:** 12/18/2024  
**Permit Writer:** Paula Jacobs  
**Full Technical Review:** No

# **SPDES Permit Fact Sheet**

## **Town of Clifton**

### **Newton Falls WWTP**

### **NY 027 0211**



## Summary of Permit Changes

A State Pollutant Discharge Elimination System (SPDES) permittee-initiated permit modification has been drafted for the Newton Falls WWTP. The changes to the permit **Compliance Schedule** are summarized below:

- Added Table of Contents,
- Updated footnotes for the Permit Limits, Levels and Monitoring Section,
- Revised Schedule of Compliance to extend the limits and monitoring requirements for disinfection by 1 year from May 1, 2025, to May 1, 2026, and include progress reporting with due dates,
- Added a Schedule of Additional Submittals which include due dates for Water Treatment Chemicals (WTC) if any, and the Annual Flow Certification.

**General background information including the regulatory basis for the effluent limitations and other conditions remain the same based on the 2015 factsheet and 2019 modification.**

## Administrative History

10/1/2015 The last full technical review was performed and the SPDES permit became effective with a new five-year term and expiration date of 10/31/2019. The 2015 permit, along with all subsequent modifications, has formed the basis of this permit.

The permit was administratively renewed in 2019. The current permit administrative renewal is effective until 10/31/2024.

11/1/2019 Permit was modified to include disinfection. Permit was modified 04/27/2022 to extend plans and spec submission due date by 3 months, and again on 06/24/2022 for a minor typographical error. Modified again on 7/23/2024 to extend disinfection completion by 1 year to May 1, 2025.

11/29/2024 Permittee requested a compliance schedule extension for construction start and construction completion for disinfection by 1 year to May 1, 2026, based on funding and bond determinations.

## Facility Information

This facility is a publicly owned treatment works that receives flow from domestic users, with effluent consisting of treated sanitary. The collection system consists of separate sewers. The facility does not have any significant industrial users (SIUs).

The current .036 MGD treatment plant consists of:

- Primary Treatment: Primary Settling Tank
- Secondary Treatment: Two Rotating Biological Contactors (RBCs) operating in parallel with final settling

Sludge is hauled to a landfill.

**Permittee:** (T) Clifton  
**Facility:** Newton Falls WWTP  
**SPDES Number:** NY 027 0211  
USEPA Non-Major/Class 07 Municipal

**Date:** 12/18/2024  
**Permit Writer:** Paula Jacobs  
**Full Technical Review:** No

The primary outfall (Outfall 001) includes a 6-inch pipe approx. 2,270 feet to the Oswegatchie River.

The facility is planning the following upgrades/improvements:

- RBC media upgrades and inlet baffling
- New RBC sidecar aeration system
- New effluent liquid chlorine disinfection system
- New chemical storage and feed pump enclosure